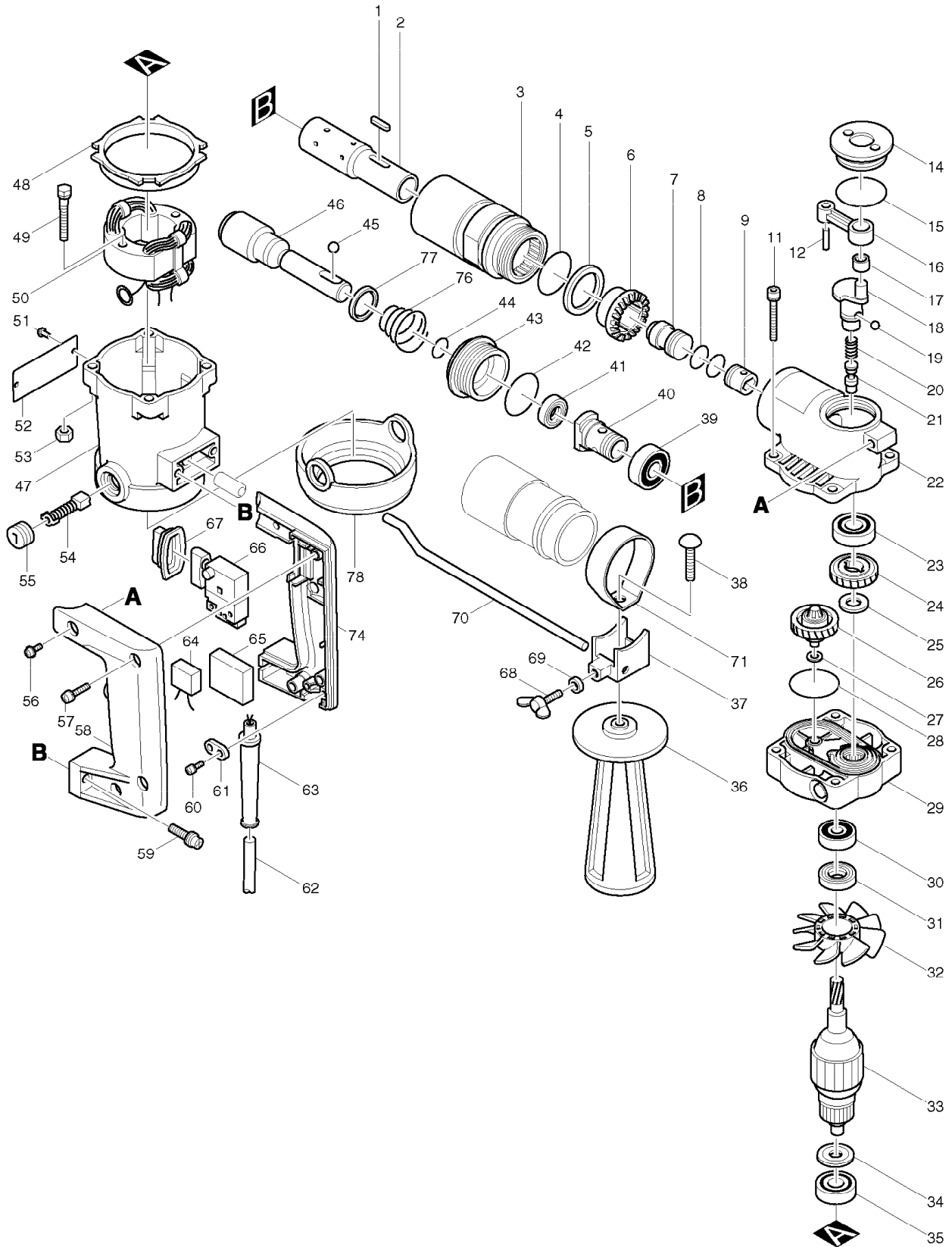


SERVICE DRAWING

MODEL NO. HR1800



SPARE PARTS LIST

MODEL NO. HR1800

| ITEM | PART NO. | DESCRIPTION | QTY | NOTE |
|------|----------|-----------------------------|-----|------|
| 001 | 254231-5 | KEY 4 | 1 | |
| 002 | 331193-5 | CYLINDER LINER 20 | 1 | |
| 003 | 152185-9 | BARREL COMPLETE | 1 | |
| 004 | 213507-9 | O RING 40 | 1 | |
| 005 | 253854-6 | FLAT WASHER 30 | 1 | |
| 006 | 221358-6 | SPIRAL BEVEL GEAR 26 | 1 | |
| 007 | 322284-3 | STRIKER | 1 | |
| 008 | 213214-4 | O RING 16 | 2 | |
| 009 | 321483-4 | PISTON | 1 | |
| 011 | 922371-4 | HEX. SOCKET HEAD BOLT M6X50 | 4 | |
| 012 | 256123-4 | PIN 5 | 1 | |
| 014 | 410018-7 | CRANK CAP | 1 | |
| 015 | 213460-9 | O RING 35 | 1 | |
| 016 | 321489-2 | ROD | 1 | |
| 017 | 212005-0 | NEEDLE BEARING 810 | 1 | |
| 018 | 321485-0 | CRANK SHAFT | 1 | |
| 019 | 216011-7 | STEEL BALL 5.6 | 2 | |
| 020 | 231327-9 | COMPRESSION SPRING 6 | 1 | |
| 021 | 321484-2 | CHANGE PIN 8 | 1 | |
| 022 | 156911-8 | CRANK HOUSING | 1 | |
| 023 | 211204-1 | BALL BEARING 6002 | 1 | |
| 024 | 221705-1 | HELICAL GEAR 29 | 1 | |
| 025 | 253853-8 | FLAT WASHER 15 | 1 | |
| 026 | 151153-9 | TORQUE LIMITER COMPLETE | 1 | |
| 027 | 253715-0 | FLAT WASHER 6 | 1 | |
| 028 | 213707-1 | O RING 65 | 1 | |
| 029 | 156910-0 | GEAR HOUSING | 1 | |
| 030 | 211069-1 | BALL BEARING 6200 | 1 | |
| 031 | 213157-0 | OIL SEAL 13 | 1 | |
| 032 | 241820-5 | FAN 67 | 1 | |
| 033 | 512778-8 | ARMATURE ASS'Y 220V | 1 | |
| 034 | 681613-2 | INSULATION WASHER | 1 | |
| 035 | 211033-2 | BALL BEARING 608LB | 1 | |
| 036 | 273479-0 | GRIP 37 | 1 | |
| 037 | 315145-4 | GRIP BASE | 1 | |
| 038 | 923456-9 | CAP SQUARE NECK BOLT M8X35 | 1 | |
| 039 | 211304-7 | BALL BEARING 6004 | 1 | |
| 040 | 331192-7 | HOLDER 27-37 | 1 | |
| 041 | 213163-5 | OIL SEAL 14 | 1 | |
| 042 | 213507-9 | O RING 40 | 1 | |
| 043 | 321482-6 | SEAL HOLDER | 1 | |
| 044 | 213164-3 | O RING 14 | 1 | |
| 045 | 216011-7 | STEEL BALL 5.6 | 3 | |
| 046 | 152397-4 | CHUCK COMPLETE | 1 | |
| 047 | 159541-4 | MOTOR HOUSING | 1 | |
| 048 | 410043-8 | BAFFLE PLATE | 1 | |
| 049 | 265342-1 | + HEX. BOLT M5X40 | 2 | |
| 050 | 528290-8 | FIELD ASS'Y 220V | 1 | 220V |
| 051 | 953106-2 | RIVET 0-5 | 2 | |
| 052 | 854795-5 | NAME PLATE HR1800 | 1 | |
| 053 | 931302-2 | HEX. NUT M6 | 4 | |
| 054 | 181038-5 | A.C. CARBON BRUSH CB-105 | 1 | |
| 055 | 643600-9 | BRUSH HOLDER CAP 6-10 | 2 | |
| 056 | 911323-0 | PAN HEAD SCREW M6X16 | 2 | |
| 057 | 911238-1 | PAN HEAD SCREW M5X22 | 3 | |

SPARE PARTS LIST

MODEL NO. HR1800

| ITEM | PART NO. | DESCRIPTION | QTY | NOTE |
|------|----------|------------------------------|-----|----------|
| 058 | 181488-4 | HANDLE SET | 1 | |
| 059 | 911343-4 | PAN HEAD SCREW M6X25 | 2 | |
| 060 | 911133-5 | PAN HEAD SCREW M4X18 | 2 | |
| 061 | 687001-1 | STRAIN RELIEF | 1 | |
| 062 | 665527-3 | POWER SUPPLY CORD 1.00-2-5.0 | 1 | |
| 063 | 682505-8 | CORD GUARD 10-90 | 1 | |
| 064 | 645173-8 | NOISE SUPPRESSOR | 1 | |
| 065 | 685700-9 | SPONGE SHEET | 1 | |
| 066 | 531012-7 | SWITCH ASS'Y SGE204CB | 1 | 220/240V |
| 067 | 421145-5 | DUST COVER | 1 | |
| 068 | 924216-2 | WING BOLT M5X15 | 1 | |
| 069 | 261042-1 | RUBBER WASHER 4.5 | 1 | |
| 070 | 321144-6 | DEPTH GAUGE | 1 | |
| 071 | 341539-7 | BELT | 1 | |
| 073 | 646325-4 | LINE COIL | 1 | |
| 074 | 181488-4 | HANDLE SET | 1 | |
| 076 | 231937-2 | CONICAL COMPR. SPRING 21-29 | 1 | |
| 077 | 253982-7 | CUP WASHER 20 | 1 | |
| 078 | 421456-8 | PROTECTOR | 1 | |
| 400 | 163141-4 | CLAMP | 1 | |
| 401 | 122246-9 | DUST COLLECTOR ASS'Y | 1 | |
| 402 | ***** | ***** | *** | ***** |
| 403 | 765009-6 | BLOW-OUT BULB 64 | 1 | |
| 404 | 765010-1 | COTTER | 1 | |
| 405 | 783203-8 | HEX. WRENCH 5 | 1 | |
| 407 | 421342-3 | DUST CUP 5 | 1 | |