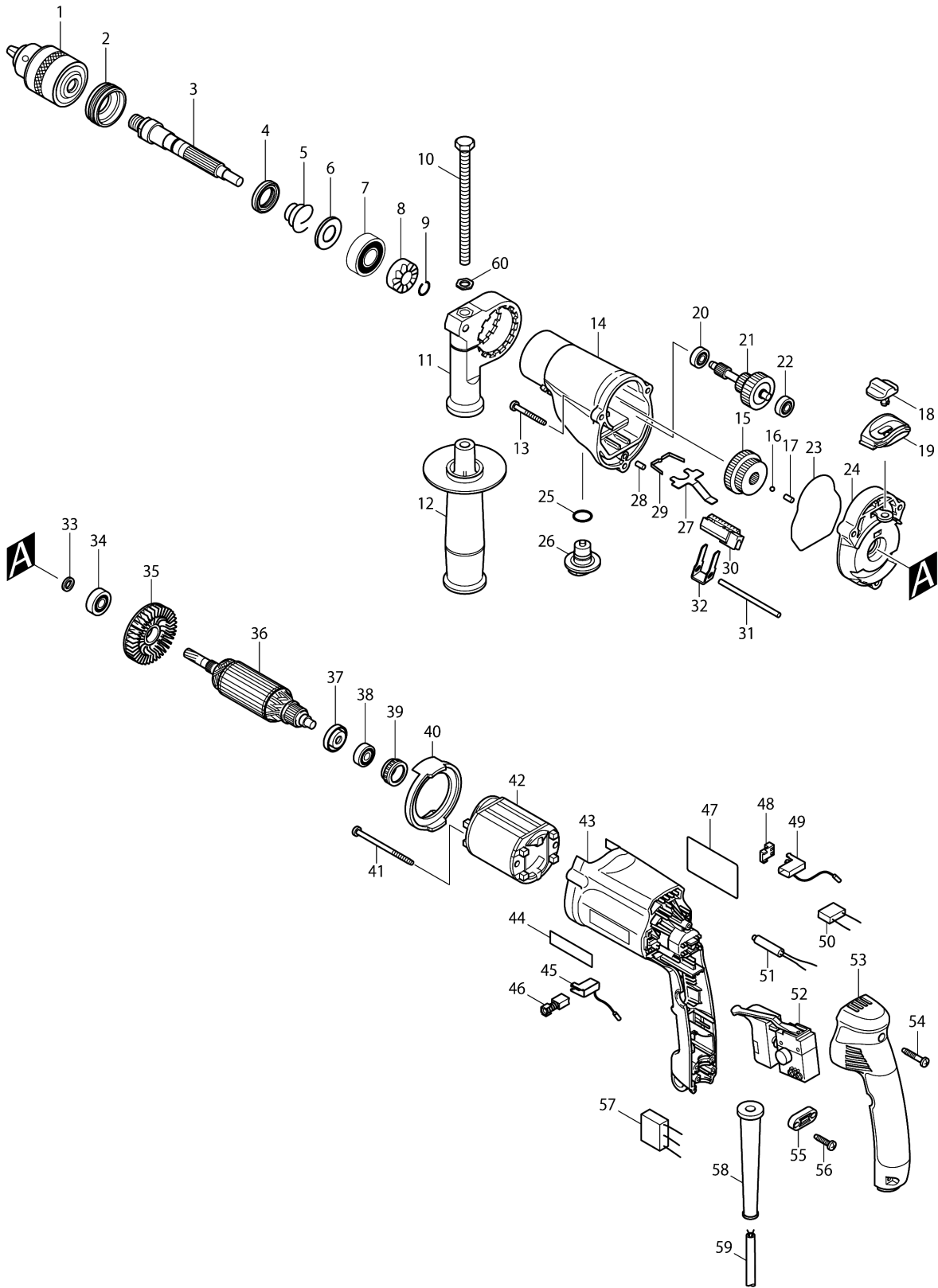


Model No.HP2050 2-SPEED HAMMER DRILL 20MM



Model No.HP2050 2-SPEED HAMMER DRILL 20MM

| Item  | Parts No. | Description                 | I/C | Qty | New/Old | Opt. 1 | Opt. 2 | Note |
|-------|-----------|-----------------------------|-----|-----|---------|--------|--------|------|
| 001   | 193067-6  | DRILL CHUCK & KEY SET       |     | 1   | *       |        |        |      |
| 001-1 | 193822-6  | DRILL CHUCK S13             | O   | 1   |         |        |        |      |
| C10   | 763430-3  | CHUCK KEY S13               |     | 1   |         |        |        |      |
| 002   | 285839-4  | BEARING RETAINER            |     | 1   |         |        |        |      |
| 003   | 324247-5  | SPINDLE                     |     | 1   |         |        |        |      |
| 004   | 213314-0  | OIL SEAL 19                 |     | 1   |         |        |        |      |
| 005   | 233921-3  | CONICAL COMPRESSION SPRING  |     | 1   |         |        |        |      |
| 006   | 345224-4  | CUP WASHER 15               |     | 1   |         |        |        |      |
| 007   | 211206-7  | BALL BEARING 6202LLB        |     | 1   |         |        |        |      |
| 008   | 223137-8  | CAM A                       |     | 1   |         |        |        |      |
| 009   | 233920-5  | RING SPRING 11              |     | 1   |         |        |        |      |
| 010   | 921923-8  | HEX. BOLT M8X120            |     | 1   |         |        |        |      |
| 011   | 417630-4  | GRIP BASE                   |     | 1   | *       |        |        |      |
| 011-1 | 417630-4  | GRIP BASE                   | O   | 1   |         |        |        |      |
| 012   | 152521-9  | GRIP 36 COMPLETE            |     | 1   | *       |        |        |      |
| 012-1 | 134943-5  | GRIP 36 ASS'Y               | <   | 1   | *       |        |        |      |
| C10   | 152521-9  | GRIP 36 COMPLETE            |     | 1   | *       |        |        |      |
| D10   |           | INC. 10,11                  |     |     | *       |        |        |      |
| 012-2 | 134943-5  | GRIP 36 ASS'Y               | <   | 1   | *       |        |        |      |
| C10   | 152521-9  | GRIP 36 COMPLETE            |     | 1   | *       |        |        |      |
| D10   |           | INC. 10,11,60               |     |     | *       |        |        |      |
| 012-3 | 135302-6  | GRIP 36 ASS'Y               | O   | 1   |         |        |        |      |
| C10   | 153503-4  | GRIP 36 COMPLETE            |     | 1   |         |        |        |      |
| D10   |           | INC. 10,11,60               |     |     |         |        |        |      |
| 013   | 266053-1  | TAPPING SCREW 4X35          |     | 3   |         |        |        |      |
| 014   | 153379-9  | GEAR HOUSING COMPLETE       |     | 1   |         |        |        |      |
| 015   | 227030-8  | SPUR GEAR 29-37             |     | 1   |         |        |        |      |
| 016   | 216001-0  | STEEL BALL 3.5              |     | 1   |         |        |        |      |
| 017   | 256251-5  | PIN 4                       |     | 1   |         |        |        |      |
| 018   | 417801-3  | CHANGE LEVER A              |     | 1   | *       |        |        |      |
| 018-1 | 418083-0  | CHANGE LEVER A              | <   | 1   |         |        |        |      |
| 019   | 417802-1  | LEVER CASE                  |     | 1   |         |        |        |      |
| 020   | 211014-6  | BALL BEARING 606            |     | 1   | *       |        |        |      |
| 020-1 | 211012-0  | BALL BEARING 606ZZ          | O   | 1   |         |        |        |      |
| 021   | 153363-4  | GEAR COMPLETE               |     | 1   | *       |        |        |      |
| 021-1 | 153622-6  | GEAR COMPLETE               | O   | 1   |         |        |        |      |
| 022   | 211014-6  | BALL BEARING 606            |     | 1   | *       |        |        |      |
| 022-1 | 211012-0  | BALL BEARING 606ZZ          | O   | 1   |         |        |        |      |
| 023   | 421810-6  | SEAL RING                   |     | 1   |         |        |        |      |
| 024   | 153364-2  | GEAR HOUSING COVER COMPLETE |     | 1   | *       |        |        |      |
| 024-1 | 153620-0  | GEAR HOUSING COVER COMPLETE | <   | 1   |         |        |        |      |

Please order the parts with part number.

Print Date 7/9/2020

Model No.HP2050 2-SPEED HAMMER DRILL 20MM

| Item  | Parts No. | Description                 | I/C | Qty | New/Old | Opt. 1 | Opt. 2 | Note |
|-------|-----------|-----------------------------|-----|-----|---------|--------|--------|------|
| 025   | 213162-7  | O RING 14                   |     | 1   | *       |        |        |      |
| 025-1 | 213122-9  | O RING 12                   | O   | 1   |         |        |        |      |
| 026   | 417805-5  | CHANGE LEVER B              |     | 1   |         |        |        |      |
| 027   | 345225-2  | LOCK PLATE                  |     | 1   |         |        |        |      |
| 028   | 256251-5  | PIN 4                       |     | 1   |         |        |        |      |
| 029   | 232143-2  | LEAF SPRING                 |     | 1   |         |        |        |      |
| 030   | 417804-7  | RACK 12                     |     | 1   |         |        |        |      |
| 031   | 268092-7  | PIN 4                       |     | 1   |         |        |        |      |
| 032   | 345223-6  | CHANGE PLATE B              |     | 1   |         |        |        |      |
| 033   | 262087-2  | RING 8                      |     | 1   |         |        |        |      |
| 034   | 210005-4  | BALL BEARING 608DDW         |     | 1   |         |        |        |      |
| 035   | 241881-5  | FAN 52                      |     | 1   |         |        |        |      |
| 036   | 517414-1  | ARMATURE ASS'Y 220-240V     |     | 1   |         |        |        |      |
| D10   |           | INC. 33,34,35,37,38         |     |     |         |        |        |      |
| 037   | 681636-0  | INSULATION WASHER           |     | 1   |         |        |        |      |
| 038   | 211021-9  | BALL BEARING 607LLB         |     | 1   |         |        |        |      |
| 039   | 421494-0  | RUBBER RING 19              |     | 1   |         |        |        |      |
| 040   | 417803-9  | BAFFLE PLATE                |     | 1   |         |        |        |      |
| 041   | 266060-4  | TAPPING SCREW 4X65          |     | 2   |         |        |        |      |
| 042   | 633528-9  | FIELD 220-240V              |     | 1   |         |        |        |      |
| 043   | 183453-9  | MOTOR HOUSING               |     | 1   | *       |        |        |      |
| D10   |           | INC. 44                     |     |     | *       |        |        |      |
| 043-1 | 417807-1  | MOTOR HOUSING               | O   | 1   |         |        |        |      |
| 044   | 819063-3  | MAKITA LABEL                |     | 1   | *       |        |        |      |
| 045   | 643989-5  | BRUSH HOLDER                |     | 1   |         |        |        |      |
| 046   | 191962-4  | CARBON BRUSH CB-419         |     | 1   |         |        |        |      |
| 047   | 853858-4  | NAME PLATE HP2050           |     | 1   |         |        |        |      |
| 048   | 689111-0  | SPACER                      |     | 2   |         |        |        |      |
| 049   | 643988-7  | BRUSH HOLDER                |     | 1   |         |        |        |      |
| 050   | 645105-5  | NOISE SUPPRESSOR            |     | 1   | *       |        |        |      |
| 050-1 | 645200-1  | NOISE SUPPRESSOR            | S   | 1   |         |        |        |      |
| 051   | 646133-3  | CHOKE COIL                  |     | 1   | *       |        |        |      |
| 052   | 650524-2  | SWITCH TG813ALB-2           |     | 1   |         |        |        |      |
| 053   | 153284-0  | HANDLE COVER COMPLETE       |     | 1   |         |        |        |      |
| C10   | 263002-9  | RUBBER PIN 4                |     | 2   |         |        |        |      |
| 054   | 265999-8  | TAPPING SCREW 4X25          |     | 3   |         |        |        |      |
| 055   | 687052-4  | STRAIN RELIEF               |     | 1   | *       |        |        |      |
| 055-1 | 687124-5  | STRAIN RELIEF               | O   | 1   |         |        |        |      |
| 056   | 265995-6  | TAPPING SCREW 4X18          |     | 2   |         |        |        |      |
| 057   | 645253-0  | NOISE SUPPRESSOR            |     | 1   | *       |        |        |      |
| 058   | 682559-5  | CORD GUARD 8                |     | 1   |         |        |        |      |
| 059   | 665394-6  | POWER SUPPLY CORD 1.0-2-2.5 |     | 1   |         |        |        |      |

Please order the parts with part number.

Print Date 7/9/2020

Model No.HP2050 2-SPEED HAMMER DRILL 20MM

| Item | Parts No. | Description             | I/C | Qty | New/Old | Opt. 1 | Opt. 2 | Note |
|------|-----------|-------------------------|-----|-----|---------|--------|--------|------|
| 060  | 345280-4  | HEX. WASHER             |     | 1   |         |        |        |      |
| 061  | 263002-9  | RUBBER PIN 4            |     | 1   |         |        |        |      |
| A01  | 324219-0  | DEPTH GAUGE             |     | 1   |         |        |        |      |
| A02  | 410102-8  | KEY HOLDER              |     | 1   |         |        |        |      |
| A03  | 824650-5  | PLASTIC CARRYING CASE   |     | 1   |         |        |        |      |
| C10  | 417724-5  | LATCH                   |     | 2   |         |        |        |      |
| C20  | 819144-3  | MAKITA LOGO LABEL       |     | 1   |         |        |        |      |
| A04  | 763430-3  | CHUCK KEY S13           |     | 1   |         |        |        |      |
| A06  | 806X02-6  | HP2050 INDICATION LABEL |     | 1   |         |        |        |      |

Please order the parts with part number.

Print Date 7/9/2020