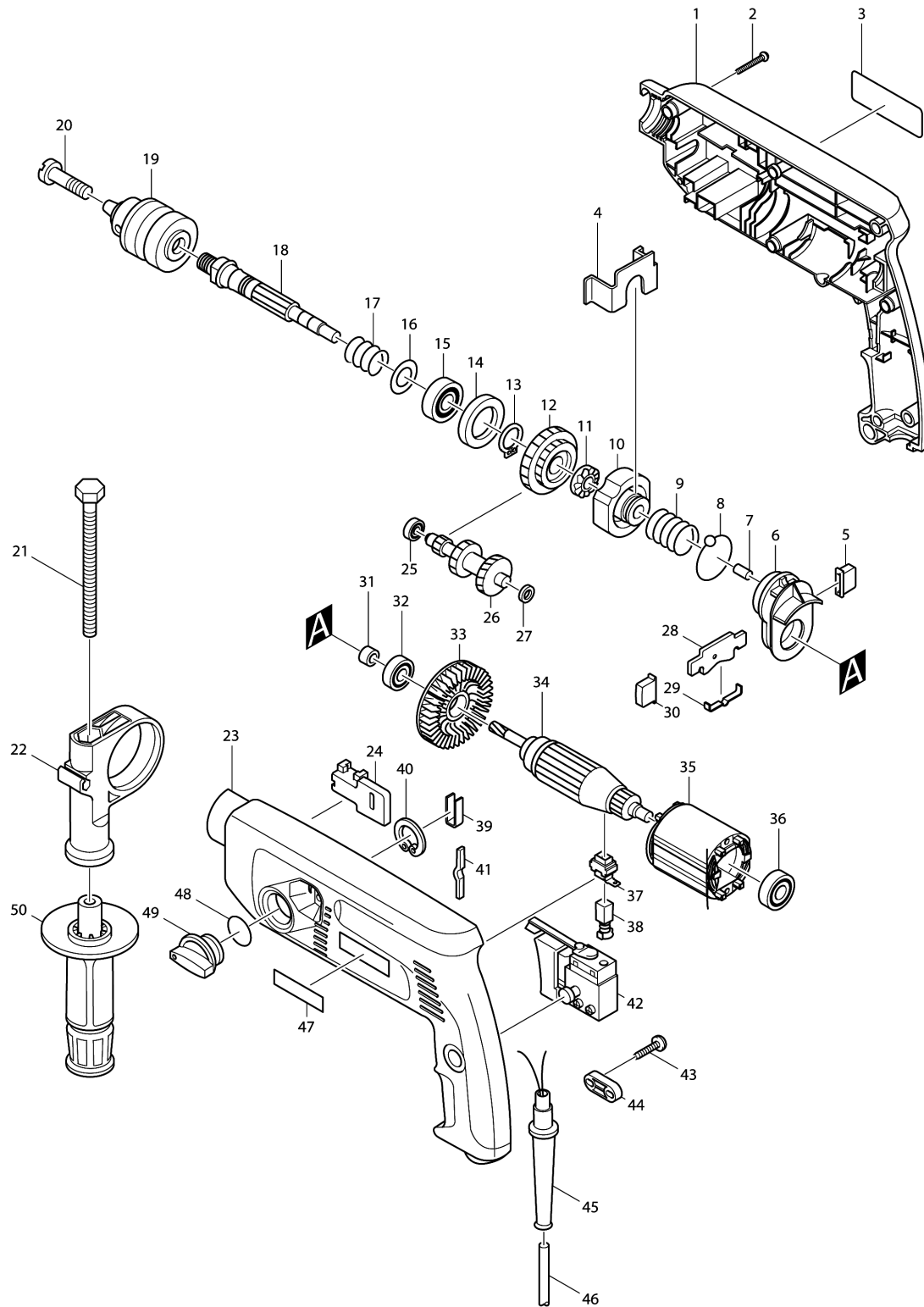


Model No.HP2040 2-SPEED HAMMER DRILL 20MM



Model No.HP2040 2-SPEED HAMMER DRILL 20MM

Item	Parts No.	Description	I/C	Qty	New/Old	Opt. 1	Opt. 2	Note
001	182906-5	HOUSING SET		1				
D10		INC. 23						
002	265995-6	TAPPING SCREW 4X18		10				
003	859033-0	NAME PLATE HP2040		1				
004	344439-0	RETAINER		1				
005	415453-4	CHANGE BUTTON		1				
006	159965-4	INNER HOUSING COMPLETE		1				
007	256251-5	PIN 4		1				
008	216001-0	STEEL BALL 3.5		1				
009	233170-2	COMPRESSION SPRING 23		1				
010	223119-0	CAM B		1				
011	223118-2	CAM A		1				
012	226331-1	SPUR GEAR 28-38		1				
013	961055-9	RETAINING RING S-15		1				
014	267126-3	FLAT WASHER 22		1				
015	211201-7	BALL BEARING 6002LLB		1				
016	267164-5	FLAT WASHER 15		1				
017	233169-7	COMPRESSION SPRING 18		1				
018	322920-1	SPINDLE		1				
019	763114-3	DRILL CHUCK S13		1				
020	251460-1	- FLAT HEAD SCREW M6X22		1	*			
020-1	251464-3	- FLAT HEAD SCREW M6X22	O	1				
021	921919-9	HEX. BOLT M8X110		1	*			
021-1	921923-8	HEX. BOLT M8X120	O	1				
022	415485-1	GRIP BASE		1				
023	182906-5	HOUSING SET		1				
D10		INC. 1						
024	416189-8	SLIDER		1				
025	210006-2	BALL BEARING 696ZZ		1	*			
025-1	210026-6	BALL BEARING 696ZZ	X	1				
026	226130-1	GEAR COMPLETE 8-18-23		1				
027	253777-8	FLAT WASHER 8		1				
028	344419-6	CHANGE PLATE		1				
029	232134-3	LEAF SPRING		1				
030	415453-4	CHANGE BUTTON		1				
031	262541-6	SLEEVE 8		1				
032	211033-2	BALL BEARING 608LB		1				
033	241869-5	FAN 55		1	*			
033-1	240067-8	FAN 55	X	1				
034	517213-1	ARMATURE ASS'Y 220/240V		1				
D10		INC. 32,33,36						
035	633348-1	FIELD 220-240V		1				

Please order the parts with part number.

Print Date 27/6/2019

Model No.HP2040 2-SPEED HAMMER DRILL 20MM

Item	Parts No.	Description	I/C	Qty	New/Old	Opt. 1	Opt. 2	Note
036	211028-5	BALL BEARING 627LB		1				
037	643923-5	BRUSH HOLDER		2	*			
037-1	643936-6	BRUSH HOLDER	O	2				
038	191962-4	CARBON BRUSH CB-419		1				
039	344440-5	SLIDER PLATE		1				
040	961104-2	RETAINING RING S-24		1				
041	232053-3	LEAF SPRING		1				
042	651952-4	SWITCH 8653C721AD 200V-240V		1	*			
042-1	651986-7	SWITCH TG803TLB-1	X	1				
043	265995-6	TAPPING SCREW 4X18		2				
044B_	687052-4	STRAIN RELIEF		1				
045A_	682549-8	CORD GUARD 8-85		1				
046B_	665383-1	POWER SUPPLY CORD 1.0-2-2.0		1				
047	819063-3	MAKITA LABEL		1				
048	213373-4	O RING 22		1				
049	152559-4	CHANGE LEVER COMPLETE		1				
050-1	152521-9	GRIP 36 COMPLETE		1				
A01	415486-9	DEPTH GAUGE		1				
A02	763430-3	CHUCK KEY S13		1				
A03	824449-8	PLASTIC CARRYING CASE		1	*			
C10	182935-8	SLIDE LATCH (R.L) SET		1	*			
A03-1	824608-4	PLASTIC CARRYING CASE	O	1				
C10	417496-2	LATCH		2				
C20	417497-0	HANDLE		1				
C30	819143-5	MAKITA LABEL		1				
E03	645253-0	NOISE SUPPRESSOR		1				
E08C_	539131-3	CHOKE COIL ASS'Y		1				
E09C_	539132-1	CHOKE COIL ASS'Y		1				
E10	654015-5	EARTH TERMINAL		1				
E11	654501-6	CONNECTOR P-1.25		1				
E13	645144-5	NOISE SUPPRESSOR		1				
E14	654069-2	RECEPTACLE		2				

Please order the parts with part number.

Print Date 27/6/2019