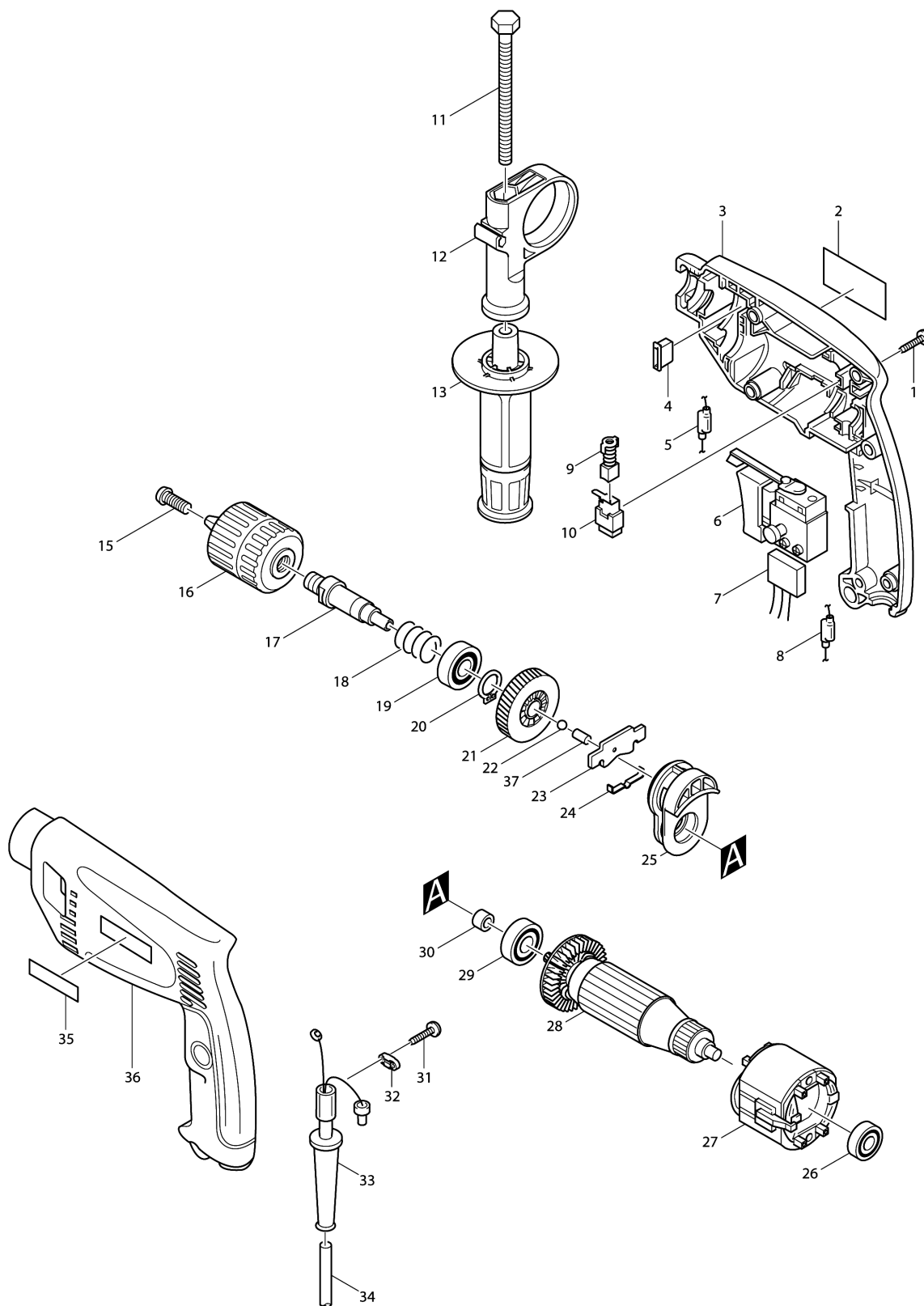


Model No.HP1501 HAMMER DRILL 15MM



Model No.HP1501 HAMMER DRILL 15MM

Item	Parts No.	Description	I/C	Qty	New/Old	Opt. 1	Opt. 2	Note
001-1	266121-0	TAPPING SCREW FLANGE PF 4X18		8	*			
001-2	265995-6	TAPPING SCREW 4X18	O	8				
002-1	858217-7	NAME PLATE HP1501		1				
003	182730-6	HOUSING SET		1	*			
D10		INC. 35,36			*			
003-1	182841-7	HOUSING SET	X	1				
D10		INC. 35,36						
004	415453-4	CHANGE BUTTON		2				
005	646068-8	CHOKE COIL		1				
006	651931-2	SWITCH 35-90 200V-240V		1	*			
006-1	651952-4	SWITCH 8653C721AD 200V-240V	O	1	*			
006-2A	651987-5	SWITCH	X	1	*			
006-2B	651987-5	SWITCH	X	1	*			
006-2C	651987-5	SWITCH	X	1	*			
006-2D	651987-5	SWITCH	X	1	*			
006-3	651987-5	SWITCH	X	1	*			
006-4	651986-7	SWITCH TG803TLB-1	O	1	*			
006-5	651986-7	SWITCH TG803TLB-1	X	1				
007	645256-4	NOISE SUPPRESSOR		1	*			
007-1	645144-5	NOISE SUPPRESSOR	O	1				
008	646065-4	CHOKE COIL		1	*			
008-1	646092-1	CHOKE COIL	O	1				
009	191962-4	CARBON BRUSH CB-419		1				
010	643923-5	BRUSH HOLDER		2	*			
010-1	643936-6	BRUSH HOLDER	O	2				
011	921919-9	HEX. BOLT M8X110		1	*			
011-1	921923-8	HEX. BOLT M8X120	O	1				
012	415485-1	GRIP BASE		1				
013	152489-9	GRIP 36 COMPLETE		1				
016	763116-9	KEYLESS DRILL CHUCK 13		1	*			
016-1	763133-9	KEYLESS DRILL CHUCK 13	X	1	*			
016-2	192692-0	KEYLESS DRILL CHUCK	O	1	*			
016-3	196564-1	KEYLESS DRILL CHUCK	O	1	*			
016-4	196193-0	KEYLESS DRILL CHUCK	<	1				
017	322674-0	SPINDLE		1	*			
017-1	322900-7	SPINDLE	S	1	*			
017-2	323757-9	SPINDLE	X	1				
018	233091-8	COMPRESSION SPRING 16		1				
019	211201-7	BALL BEARING 6002LLB		1				
020	961055-9	RETAINING RING S-15		1				
021	226423-6	HELICAL GEAR 41		1				

Please order the parts with part number.

Print Date 27/6/2019

Model No.HP1501 HAMMER DRILL 15MM

Item	Parts No.	Description	I/C	Qty	New/Old	Opt. 1	Opt. 2	Note
022	216002-8	STEEL BALL 4.8		1	*			
022-1	216001-0	STEEL BALL 3.5	X	1				
023	344112-2	CHANGE PLATE		1	*			
023-1	344419-6	CHANGE PLATE	S	1				
024	232134-3	LEAF SPRING		1				
025	152473-4	CAM HOLDER COMPLETE		1	*			
025-1	152529-3	CAM HOLDER COMPLETE	X	1				
026	211028-5	BALL BEARING 627LB		1				
027	633303-3	FIELD 220V		1				
028	517108-8	ARMATURE ASS'Y 220-240V		1				
C10	241869-5	FAN 55		1	*			
C11	240067-8	FAN 55	X	1				
D10		INC. 26,29						
029	211033-2	BALL BEARING 608LB		1				
030	262528-8	SLEEVE 7		1				
031-1	266121-0	TAPPING SCREW FLANGE PF 4X18		2	*			
031-2	265995-6	TAPPING SCREW 4X18	O	2				
032	687063-9	CORD CLAMP		1				
033	682502-4	CORD GUARD 8-85		1				
034-1	666053-5	POWER SUPPLY CORD 1.0-2-2.0		1				
035	819063-3	MAKITA LABEL		1				
036	182730-6	HOUSING SET		1	*			
D10		INC. 3,35			*			
036-1	182841-7	HOUSING SET	X	1				
D10		INC. 3,35						
037	256251-5	PIN 4		1				
A01	415486-9	DEPTH GAUGE		1				
A02D	193290-3	DRILL BIT SET		1				
E03B	182766-5	PLASTIC CARRYING CASE		1	*			
E03-1B	824724-2	PLASTIC CARRYING CASE	O	1	*			
C10	183091-7	SLIDE LATCH RL SET		1	*			
E03-2B	824923-6	PLASTIC CARRYING CASE	O	1				
C10	183091-7	SLIDE LATCH RL SET		1				
E04C	824622-0	PLASTIC CARRYING CASE		1				
C10	417692-2	LATCH		2				
E04D	824622-0	PLASTIC CARRYING CASE		1				
C10	417692-2	LATCH		2				

Please order the parts with part number.

Print Date 27/6/2019