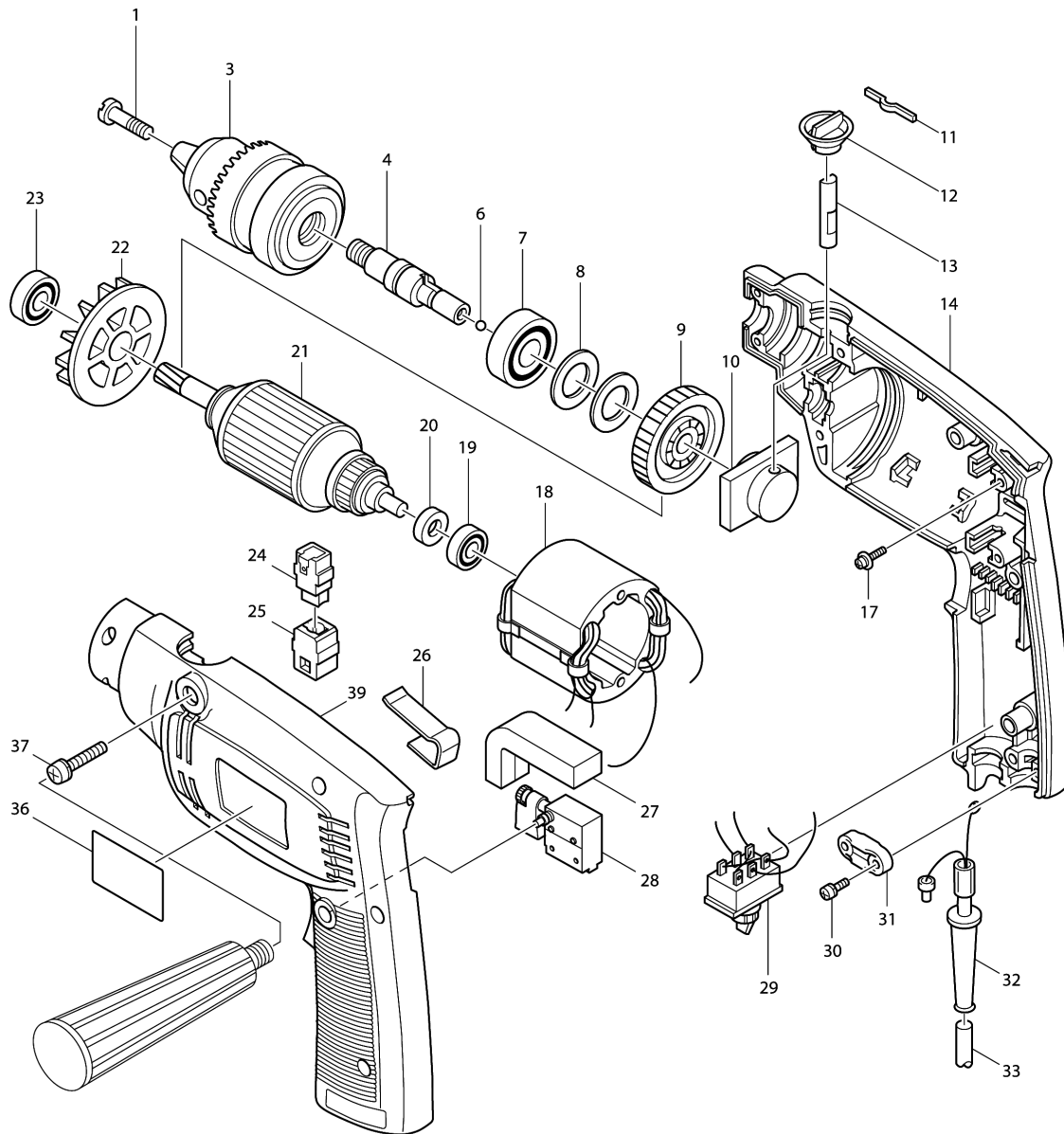


### Model No.HP1300S HAMMER DRILL 13MM





## Model No.HP1300S HAMMER DRILL 13MM

Item	Parts No.	Description	I/C	Qty	New/Old	Opt. 1	Opt. 2	Note
001	251425-3	- FLAT HEAD SCREW M6X22		1				
003B_	192552-6	DRILL CHUCK S13		1	*			
003B1	193067-6	DRILL CHUCK & KEY SET	O	1				
004	321292-1	SPINDLE		1	*			
004-1	323785-4	SPINDLE	S	1				
005	254011-9	WOODRUFF KEY 4		1	*			
006	216002-8	STEEL BALL 4.8		1				
007	211206-7	BALL BEARING 6202LLB		1				
008	253070-0	FLAT WASHER 15		2				
009	221663-1	HELICAL GEAR 62		1	*			
009-1	226495-1	HELICAL GEAR 62	X	1				
010	153120-0	CAM COMPLETE		1				
011	232053-3	LEAF SPRING		1				
012	411623-3	KNOB		1				
013	321111-1	SHIFTER PIN		1				
014H_	182783-5	HOUSING SET		1				
D10		INC. 39						
016	645011-4	NOISE SUPPRESSOR		1				
017	911124-6	PAN HEAD SCREW M4X14		2				
018K_	633238-8	FIELD 220V		1				
019	211028-5	BALL BEARING 627LB		1				
020	681614-0	INSULATION WASHER		1				
021K_	617018-0	ARMATURE 220V		1				
022	241812-4	FAN 58		1				
023	211033-2	BALL BEARING 608LB		1				
024C1	191950-1	CARBON BRUSH CB-415		1				
026	342460-3	HOOK		1				
028H_	651247-5	SWITCH 11-12		1				
029-2	651478-6	SWITCH VTX11		1				
030A_	911133-5	PAN HEAD SCREW M4X18		2				
031-1	687052-4	STRAIN RELIEF		1				
032A_	682502-4	CORD GUARD 8-85		1				
033B_	665383-1	POWER SUPPLY CORD 1.0-2-2.0		1				
035-1	911143-2	PAN HEAD SCREW M4X22		6				
036	815559-2	NAME PLATE HP1300S		1				
037-1	911143-2	PAN HEAD SCREW M4X22		1				
039H_	182783-5	HOUSING SET		1				
D10		INC. 14						
040	645011-4	NOISE SUPPRESSOR		1				
400C_	763430-3	CHUCK KEY S13		1				
401	410102-8	KEY HOLDER		1				
402F_	182791-6	PLASTIC CARRYING CASE		1				

Please order the parts with part number.

Print Date 27/6/2019

**Model No.HP1300S HAMMER DRILL 13MM**

Item	Parts No.	Description	I/C	Qty	New/Old	Opt. 1	Opt. 2	Note
403B_	152488-1	GRIP 36 COMPLETE		1	*			
403B1	152491-2	GRIP 36 COMPLETE	<	1				

Please order the parts with part number.

Print Date 27/6/2019