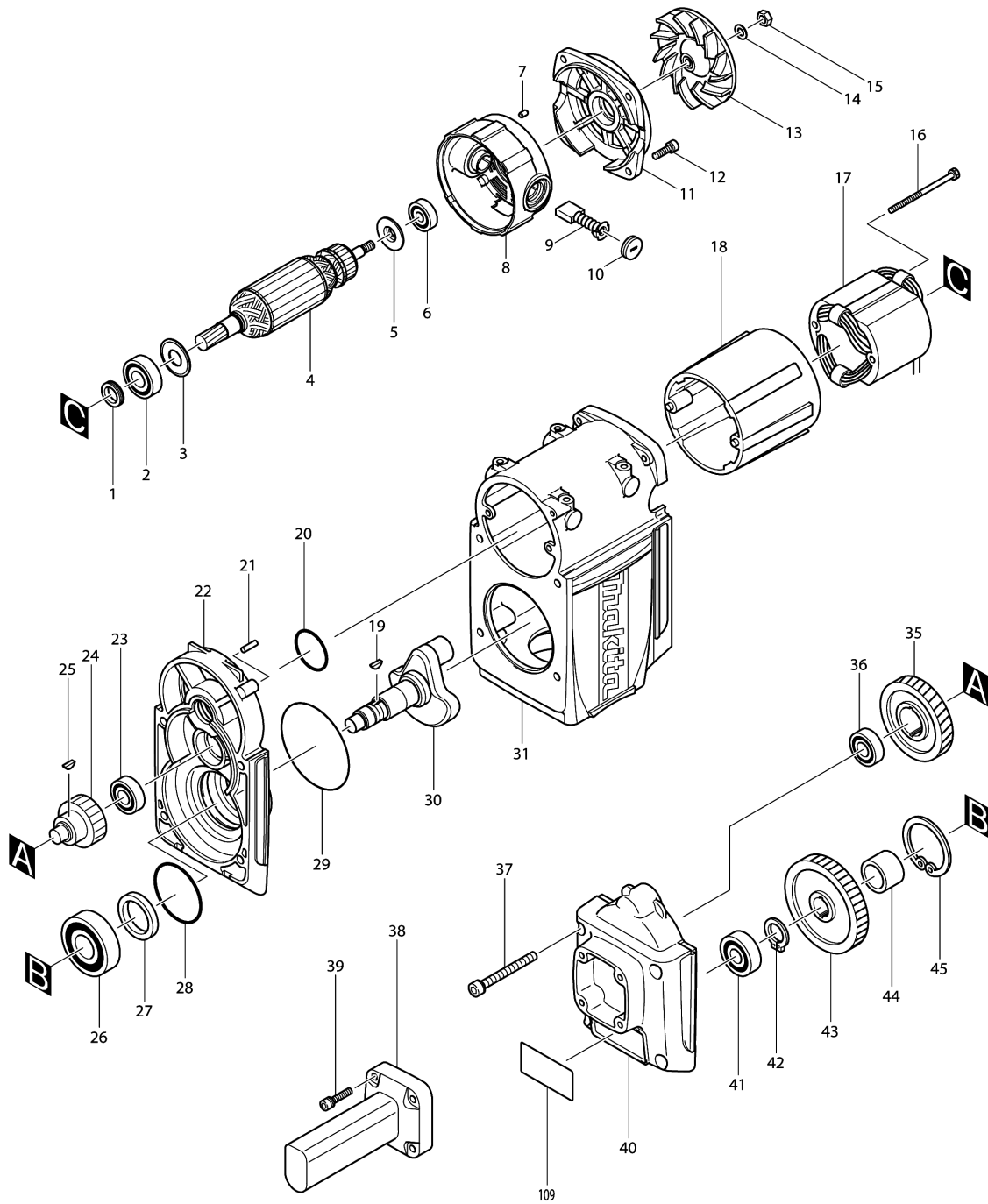
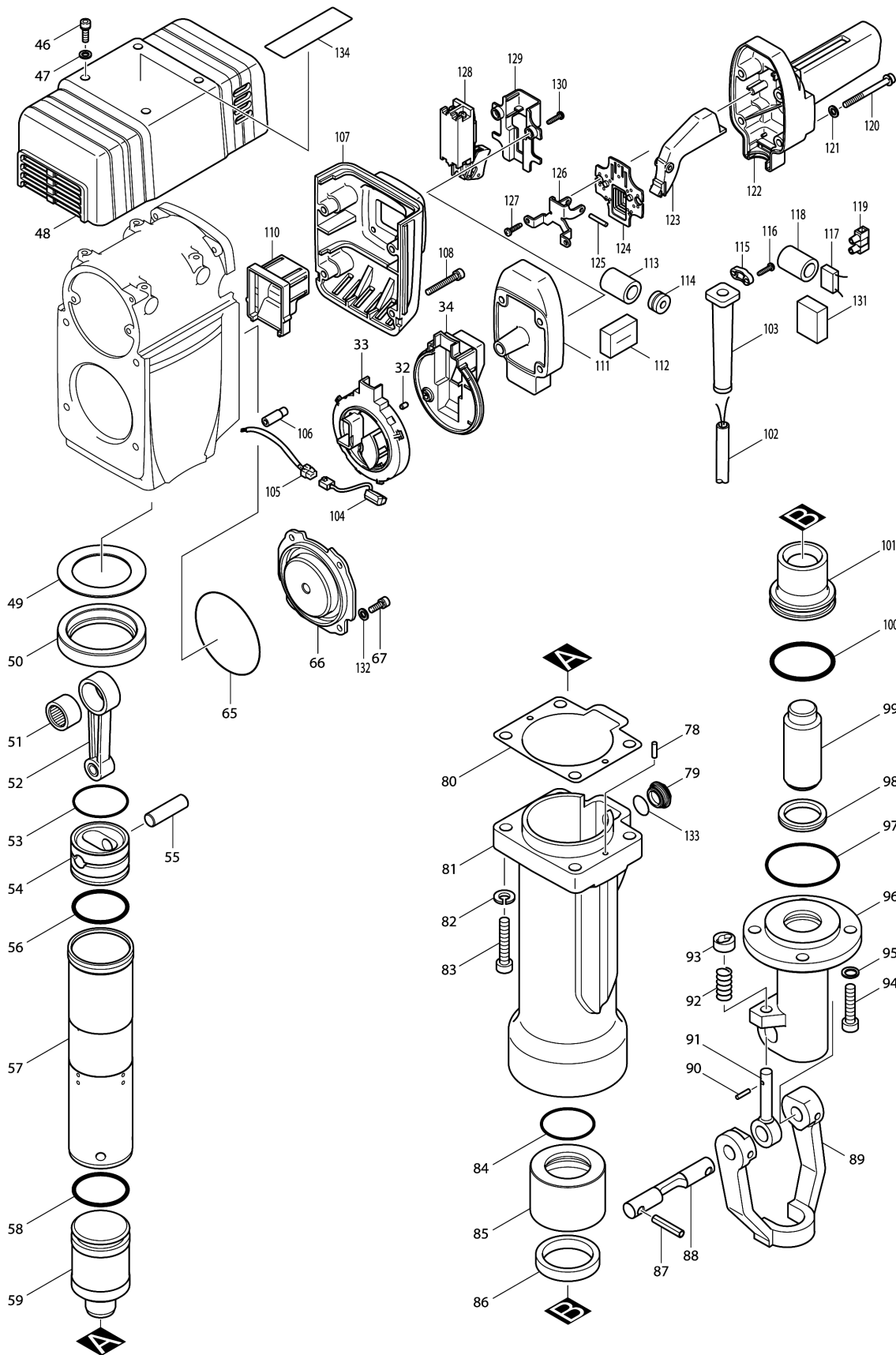


Model No.HM1801 ELECTRIC BREAKER



Model No.HM1801 ELECTRIC BREAKER



Model No.HM1801 ELECTRIC BREAKER

| Item | Parts No. | Description | I/C | Qty | New/Old | Opt. 1 | Opt. 2 | Note |
|-------|-----------|-----------------------------|-----|-----|---------|--------|--------|------|
| 001 | 322566-3 | SCREW SEAL | | 1 | | | | |
| 002 | 211256-2 | BALL BEARING 6203LLB | | 1 | | | | |
| 003 | 267706-5 | WASHER 17 | | 1 | | | | |
| 004 | 516922-9 | ARMATURE ASS'Y 200-240V | | 1 | | | | |
| D10 | | INC. 1-3,5,6 | | | | | | |
| 005 | 681646-7 | INSULATION WASHER | | 1 | | | | |
| 006 | 211066-7 | BALL BEARING 6200LLB | | 1 | * | | | |
| 006-1 | 211087-9 | BALL BEARING 6200DDW | < | 1 | | | | |
| 007 | 263002-9 | RUBBER PIN 4 | | 4 | | | | |
| 008 | 154586-7 | MOTOR HOUSING B COMPLETE | | 1 | | | | |
| C10 | 414665-6 | FIX RING | | 2 | | | | |
| C20 | 643711-0 | BRUSH HOLDER | | 2 | | | | |
| 009 | 191957-7 | A.C. CARBON BRUSH CB-204 | | 1 | | | | |
| 010 | 643710-2 | BRUSH HOLDER CAP | | 2 | | | | |
| 011 | 317899-9 | BEARING BOX | | 1 | | | | |
| 012 | 265366-7 | HEX. SOCKET HEAD BOLT M6X22 | | 4 | | | | |
| 013 | 240024-6 | FAN 100 | | 1 | | | | |
| 014 | 253165-9 | FLAT WASHER 8 | | 1 | | | | |
| 015 | 931402-8 | HEX. NUT M8 | | 1 | | | | |
| 016 | 265344-7 | + HEX. BOLT M5X85 | | 2 | | | | |
| 017 | 628943-0 | FIELD 240V | | 1 | | | | |
| 018 | 414787-2 | MOTOR HOUSING A | | 1 | | | | |
| 019 | 254001-2 | WOODRUFF KEY 4 | | 2 | | | | |
| 020 | 213507-9 | O RING 40 | | 1 | | | | |
| 021 | 256151-9 | PIN 5 | | 1 | | | | |
| 022 | 154585-9 | GEAR HOUSING COMPLETE | | 1 | | | | |
| D10 | | INC. 20,28 | | | | | | |
| 023 | 211209-1 | BALL BEARING 6202 | | 1 | | | | |
| 024 | 226251-9 | SPUR GEAR 22 | | 1 | | | | |
| 025 | 254001-2 | WOODRUFF KEY 4 | | 2 | | | | |
| 026 | 211361-5 | BALL BEARING 6305LLB | | 1 | | | | |
| 027 | 213476-4 | OIL SEAL 35 | | 1 | | | | |
| 028 | 213721-7 | O RING 61 | | 1 | | | | |
| 029 | 213806-9 | O RING 90 | | 1 | | | | |
| 030 | 324544-9 | CRANK SHAFT | | 1 | | | | |
| 031-1 | 318027-9 | CRANK HOUSING | | 1 | | | | |
| 032 | 263002-9 | RUBBER PIN 4 | | 1 | | | | |
| 033-1 | 419262-3 | CRANK HOUSING CAP | | 1 | | | | |
| 034-1 | 419263-1 | CAP COVER | | 1 | | | | |
| 035 | 221793-8 | HELICAL GEAR 50 | | 1 | | | | |
| 036 | 211209-1 | BALL BEARING 6202 | | 1 | | | | |

Model No.HM1801 ELECTRIC BREAKER

| Item | Parts No. | Description | I/C | Qty | New/Old | Opt. 1 | Opt. 2 | Note |
|-------|-----------|-----------------------------|-----|-----|---------|--------|--------|------|
| 037 | 922496-4 | HEX. SOCKET HEAD BOLT M8X75 | | 4 | | | | |
| 038 | 418415-1 | SIDE HANDLE | | 1 | | | | |
| 039 | 922353-6 | HEX.SOCKET HEAD BOLT M6X30 | | 4 | | | | |
| 040 | 317902-6 | GEAR HOUSING COVER | | 1 | | | | |
| 041 | 211214-8 | BALL BEARING 6302 | | 1 | | | | |
| 042 | 961060-6 | RETAINING RING S-20 | | 1 | | | | |
| 043 | 226242-0 | SPUR GEAR 47 | | 1 | | | | |
| 044 | 331416-1 | SLEEVE 25 | | 1 | | | | |
| 045 | 962301-3 | RETAINING RING R-62 | | 1 | | | | |
| 046 | 922331-6 | HEX. SOCKET HEAD BOLT M6X20 | | 4 | | | | |
| 047 | 941152-7 | FLAT WASHER 6 | | 4 | | | | |
| 048-1 | 419324-7 | MOTOR HOUSING COVER | | 1 | | | | |
| 049 | 267296-8 | FLAT WASHER 63 | | 1 | | | | |
| 050 | 324580-5 | SPACER | | 1 | | | | |
| 051 | 212358-7 | NEEDLE BEARING 2520 | | 1 | | | | |
| 052 | 322476-4 | CONNECTING ROD | | 1 | | | | |
| 053 | 213662-7 | O RING 55 | | 1 | | | | |
| 054 | 324536-8 | PISTON | | 1 | | | | |
| 055 | 268130-5 | PIN 15 | | 1 | | | | |
| 056 | 213666-9 | O RING 52 | | 1 | | | | |
| 057 | 331694-3 | CYLINDER LINER 62 | | 1 | | | | |
| 058 | 213666-9 | O RING 52 | | 1 | | | | |
| 059 | 324546-5 | STRIKER | | 1 | | | | |
| 065 | 213855-6 | O RING 95 | | 1 | | | | |
| 066 | 419001-1 | CRANK CAP | | 1 | | | | |
| 067 | 922331-6 | HEX. SOCKET HEAD BOLT M6X20 | | 4 | | | | |
| 078 | 256151-9 | PIN 5 | | 1 | | | | |
| 079 | 324606-3 | CAP | | 1 | * | | | |
| 079-1 | 450347-6 | CAP | S | 1 | | | | |
| 080 | 162241-7 | GASKET | | 1 | | | | |
| 081 | 317917-3 | BARREL | | 1 | | | | |
| 082 | 942301-9 | SPRING WASHER 12 | | 4 | | | | |
| 083 | 922677-0 | HEX. SOCKET BOLT M12X55 | | 4 | | | | |
| 084 | 213660-1 | O RING 53 | | 1 | | | | |
| 085 | 322548-5 | CYLINDER B | | 1 | | | | |
| 086 | 262050-5 | RUBBER RING 54 | | 1 | | | | |
| 087 | 951272-9 | SPRING PIN 8-40 | | 2 | | | | |
| 088 | 324238-6 | TOOL RETAINER SHAFT | | 1 | | | | |
| 089 | 324236-0 | TOOL RETAINER | | 1 | | | | |
| 090 | 256219-1 | PIN 4 | | 2 | | | | |

Model No.HM1801 ELECTRIC BREAKER

| Item | Parts No. | Description | I/C | Qty | New/Old | Opt. 1 | Opt. 2 | Note |
|------|-----------|-----------------------------|-----|-----|---------|--------|--------|------|
| 091 | 322477-2 | TOOL RETAINER POLE | | 2 | | | | |
| 092 | 233083-7 | COMPRESSION SPRING 12 | | 2 | | | | |
| 093 | 322560-5 | RETAINER RING | | 2 | | | | |
| 094 | 265989-1 | HEX. SOCKET BOLT M12X45 | | 4 | | | | |
| 095 | 253989-3 | SPRING WASHER 12 | | 4 | | | | |
| 096 | 324539-2 | TOOL HOLDER 29 | | 1 | | | | |
| 097 | 213755-0 | O RING 75 | | 1 | | | | |
| 098 | 213517-6 | X RING 40 | | 1 | | | | |
| 099 | 324545-7 | IMPACT BOLT | | 1 | | | | |
| 100 | 213667-7 | O RING 60 | | 1 | | | | |
| 101 | 324541-5 | IMPACT BOLT HOLDER | | 1 | | | | |
| 102 | 695123-3 | POWER SUPPLY CORD 1.5-2-4.0 | | 1 | | | | |
| 103 | 682546-4 | CORD GUARD 12-125 | | 1 | | | | |
| 104 | 631671-8 | PILOT LAMP | | 1 | | | | |
| 105 | 638378-7 | LEAD UNIT | | 1 | | | | |
| 106 | 418951-7 | LENS | | 1 | | | | |
| 107 | 317901-8 | REAR CASE | | 1 | | | | |
| 108 | 922366-7 | HEX. SOCKET HEAD BOLT M6X45 | | 4 | | | | |
| 109 | 861404-9 | HM1801 NAME PLATE | | 1 | | | | |
| 110 | 418954-1 | TOP COVER | | 1 | | | | |
| 111 | 419044-3 | HANDLE SUB BASE | | 1 | | | | |
| 112 | 685700-9 | SPONGE SHEET | | 1 | | | | |
| 113 | 685722-9 | SPONGE | | 1 | | | | |
| 114 | 688131-1 | LINE FILTER | | 1 | | | | |
| 115 | 687053-2 | STRAIN RELIEF | | 1 | | | | |
| 116 | 265995-6 | TAPPING SCREW 4X18 | | 2 | | | | |
| 117 | 645200-1 | NOISE SUPPRESSOR | | 1 | | | | |
| 118 | 685722-9 | SPONGE | | 1 | | | | |
| 119 | 654554-5 | TERMINAL BLOCK | | 2 | | | | |
| 120 | 265535-0 | HEX.SOCKET HEAD BOLT M6X65 | | 4 | | | | |
| 121 | 941152-7 | FLAT WASHER 6 | | 4 | | | | |
| 122 | 418333-3 | HANDLE | | 1 | | | | |
| 123 | 418332-5 | SWITCH LEVER | | 1 | | | | |
| 124 | 421850-4 | DUST PLATE | | 1 | | | | |
| 125 | 256206-0 | PIN 4 | | 1 | | | | |
| 126 | 345355-9 | SUPPORT | | 1 | | | | |
| 127 | 265995-6 | TAPPING SCREW 4X18 | | 2 | | | | |
| 128 | 651131-4 | SWITCH C3D-15MS | | 1 | | | | |
| 129 | 419045-1 | SWITCH COVER | | 1 | | | | |
| 130 | 265995-6 | TAPPING SCREW 4X18 | | 2 | | | | |
| 131 | 685718-0 | SPONGE SHEET | | 1 | | | | |

Please order the parts with part number.

Print Date 7/9/2020

Model No.HM1801 ELECTRIC BREAKER

| Item | Parts No. | Description | I/C | Qty | New/Old | Opt. 1 | Opt. 2 | Note |
|-------|-----------|------------------------|-----|-----|---------|--------|--------|------|
| 132 | 941152-7 | FLAT WASHER 6 | | 4 | | | | |
| 133 | 213373-4 | O RING 22 | | 1 | * | | | |
| 133-1 | 213953-6 | O RING 24 | S | 1 | | | | |
| 135 | 265995-6 | TAPPING SCREW 4X18 | | 1 | | | | |
| 136 | 424132-3 | CAP RUBBER | | 2 | | | | |
| 137 | 819352-6 | CLEAR LABEL | | 1 | * | | | |
| A01 | 783203-8 | HEX. WRENCH 5 | | 1 | | | | |
| B01 | 195205-6 | HAMMER SERVICE KIT | | 1 | | | | |
| C10 | 181490-7 | HAMMER GREASE 30G | | 2 | | | | |
| D10 | | INC. 9,56,58,84,98,100 | | | | | | |

Please order the parts with part number.

Print Date 7/9/2020