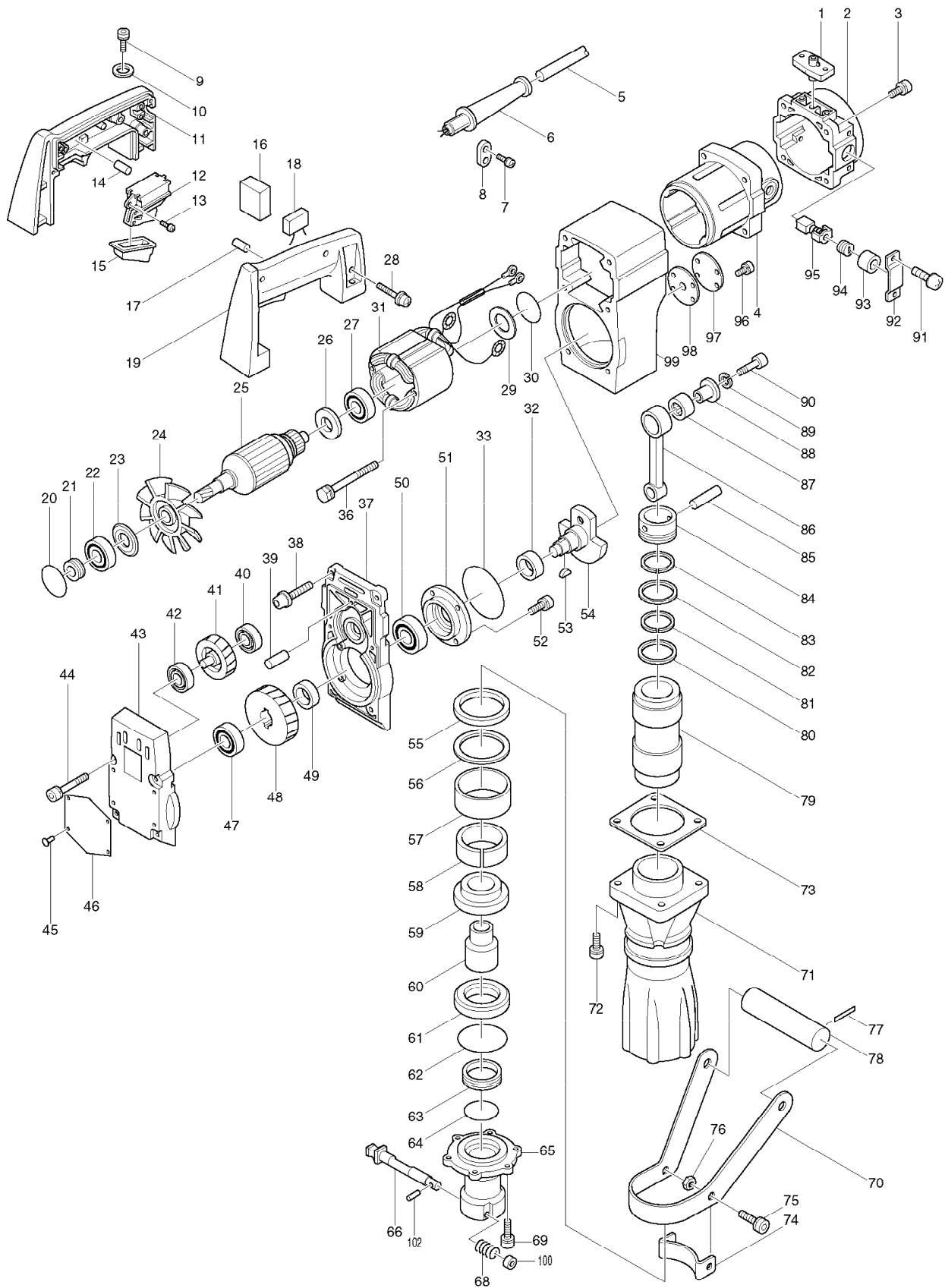


# SERVICE DRAWING

MODEL NO. HM1300



# SPARE PARTS LIST

MODEL NO. HM1300

ITEM	PART NO.	DESCRIPTION	QTY	NOTE
001	410725-2	HANDLE BASE	1	
002	316392-0	REAR CASE	1	
003	922356-0	HEX. SOCKET HEAD BOLT M6X35	4	
004	159421-4	MOTOR HOUSING	1	
005	665527-3	POWER SUPPLY CORD 1.00-2-5.0	1	
006	682505-8	CORD GUARD 10-90	1	
007	911133-5	PAN HEAD SCREW M4X18	2	
008	687001-1	STRAIN RELIEF	1	
009	922356-0	HEX. SOCKET HEAD BOLT M6X35	4	
010	941152-7	FLAT WASHER 6	4	
011	181702-8	HANDLE SET	1	
012	651145-3	SWITCH C3D-H-MS	1	
013	911129-6	PAN HEAD SCREW M4X16	1	
014	263002-9	RUBBER PIN 4	1	
015	421265-5	DUST COVER	1	
016	685725-3	SPONGE SHEET	1	
017	263002-9	RUBBER PIN 4	1	
018	645105-5	NOISE SUPPRESSOR	1	220/240V
019	181702-8	HANDLE SET	1	
020	213469-1	O RING 35	1	
021	331271-1	SEAL	1	
022	211206-7	BALL BEARING 6202LLB	1	
023	213202-1	DUST SEAL 15	1	
024	241648-1	FAN 104	1	
025	513403-4	ARMATURE ASS'Y 220V	1	220V
026	*****	*****	***	*****
027	211066-7	BALL BEARING 6200LLB	1	
028	911243-8	PAN HEAD SCREW M5X25	3	
029	253794-8	FLAT WASHER 18	1	
030	213406-5	O RING 30	1	
031	520032-6	FIELD ASS'Y 220V	1	220V
032	213408-1	OIL SEAL 30	1	
033	213806-9	O RING 90	1	
036	265341-3	+ HEX. BOLT M5X75	2	
037	157633-3	GEAR HOUSING	1	
038	922341-3	HEX. SOCKET HEAD BOLT M6X25	2	
039	256111-1	PIN 6	1	
040	211109-5	BALL BEARING 6201	1	
041	221740-9	HELICAL GEAR 43	1	
042	211109-5	BALL BEARING 6201	1	
043	157634-1	GEAR HOUSING COVER	1	
044	922381-1	HEX. SOCKET HEAD BOLT M6X60	4	
045	953106-2	RIVET 0-5	4	
046	855559-0	NAME PLATE HM1300	1	
047	211214-8	BALL BEARING 6302	1	
048	221739-4	HELICAL GEAR 68	1	
049	257111-4	RING 25	1	
050	211359-2	BALL BEARING 6205	1	
051	315782-4	BEARING BOX	1	
052	266009-4	HEX. SOCKET HEAD BOLT M8X18	4	
053	254001-2	WOODRUFF KEY 4	2	
054	321829-4	CRANK SHAFT	1	

# SPARE PARTS LIST

MODEL NO. HM1300

ITEM	PART NO.	DESCRIPTION	QTY	NOTE
055	262035-1	NYLON RING 60	1	
056	267006-3	FLAT WASHER 60	1	
057	421291-4	RUBBER RING 68	1	
058	331300-0	IDLER	1	
059	322234-8	RING HOLDER	1	
060	322233-0	IMPACT BOLT	1	
061	421292-2	URETHAN RING 44	1	
062	213707-1	O RING 65	1	
063	213517-6	X RING 40	1	
064	213504-5	O RING 40	1	
065	322168-5	TOOL HOLDER 30	1	
066	322567-1	TOOL RETAINER	1	
068	231281-7	COMPRESSION SPRING 15	1	
069	266010-9	HEX. SOCKET HEAD BOLT M8X30	6	
070	342855-0	SIDE HANDLE	1	
071	315780-8	CYLINDER	1	
072	266011-7	HEX. SOCKET HEAD BOLT M8X35	4	
073	442085-4	CYLINDER PACKING	1	
074	342852-6	SIDE HANDLE PLATE	1	
075	922441-9	HEX. SOCKET HEAD BOLT M8X25	2	
076	252005-8	HEX. NUT M8-13	2	
077	952257-8	SPLIT PIN 3.0-20	2	
078	273492-8	GRIP 38	1	
079	322235-6	HAMMER	1	
080	412067-0	PISTON RING 46	1	
081	342853-4	INNER RING 42	1	
082	412067-0	PISTON RING 46	1	
083	342853-4	INNER RING 42	1	
084	321824-4	PISTON	1	
085	256202-8	PIN 10	1	
086	321826-0	CONNECTING ROD	1	
087	212260-4	NEEDLE BEARING 1716	1	
088	321825-2	CRANK SLEEVE	1	
089	942251-8	SPRING WASHER 10	1	
090	922557-0	HEX. SOCKET HEAD BOLT M10X35	1	
091	911206-4	PAN HEAD SCREW M5X10	4	
092	342998-8	HOLDER CAP PLATE	2	
093	262049-0	RUBBER RING 6	2	
094	643650-4	BRUSH HOLDER CAP 6.5-13.5	2	
095	181048-2	A.C. CARBON BRUSH CB-155	1	
096	911211-1	PAN HEAD SCREW M5X12	4	
097	341397-1	PLATE 50	1	
098	442009-0	PACKING 50	1	
099	157635-9	CRANK HOUSING	1	
100	*****	*****	***	*****
102	256219-1	PIN 4	1	
402	798029-5	BULL POINT 30-410	1	
403	181911-9	STEEL CARRYING CASE	1	