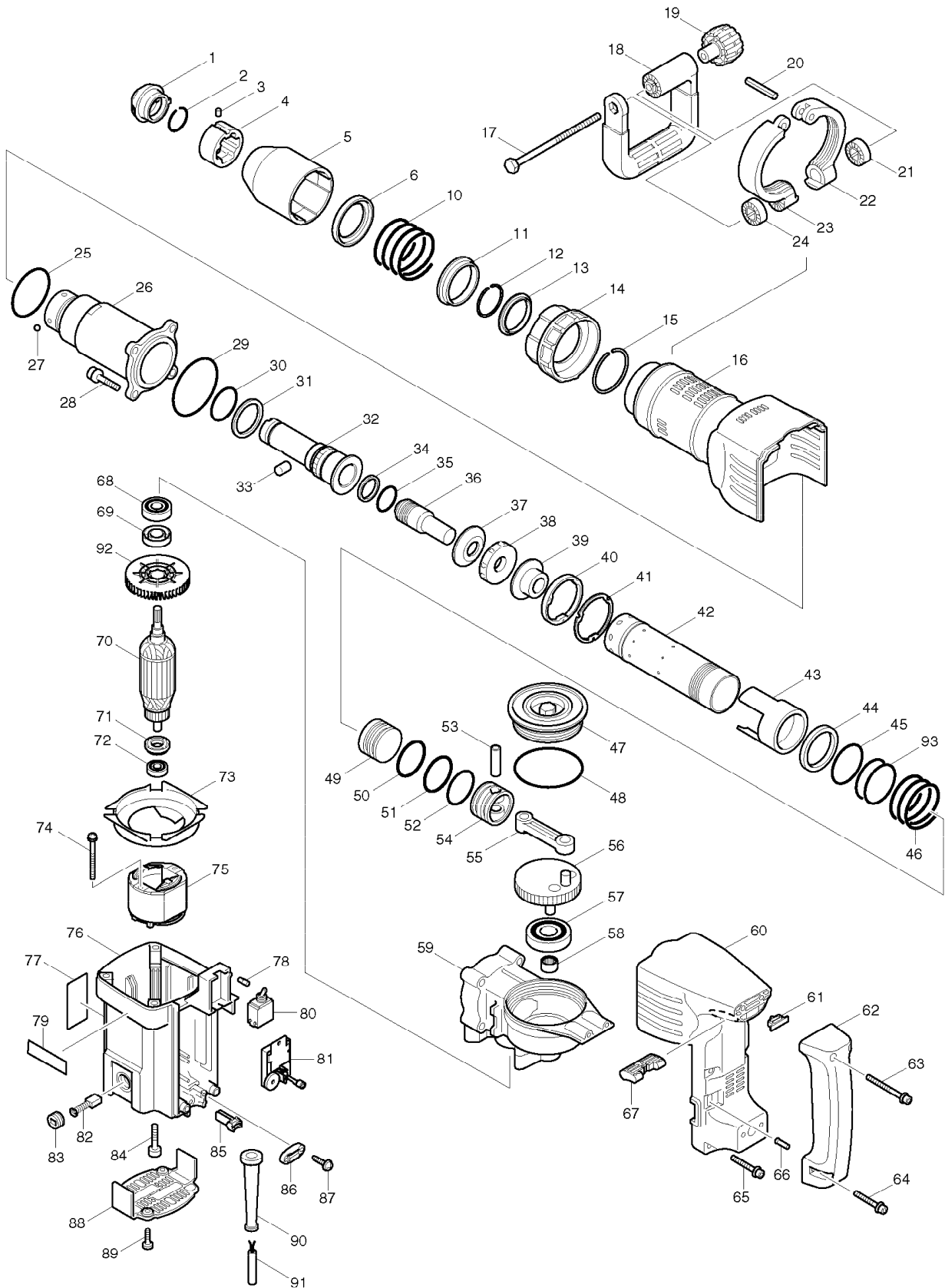


SERVICE DRAWING

MODEL NO. HM1242C



SPARE PARTS LIST

MODEL NO. HM1242C

| ITEM | PART NO. | DESCRIPTION | QTY | NOTE |
|------|----------|-----------------------------|-----|-------|
| 001 | 286252-9 | TOOL HOLDER CAP | 1 | |
| 002 | 231998-2 | RING SPRING 29 | 1 | |
| 003 | 256156-9 | PIN 6 | 1 | |
| 004 | 323960-2 | ROLLER GUIDE | 1 | |
| 005 | 417127-3 | TOOL HOLDER COVER | 1 | |
| 006 | 267735-8 | CUP WASHER 45 | 1 | |
| 010 | 233218-0 | COMPRESSION SPRING 55 | 1 | |
| 011 | ***** | ***** | *** | ***** |
| 012 | 231988-5 | RING SPRING 34 | 1 | |
| 013 | ***** | ***** | *** | ***** |
| 014 | 416934-1 | CHANGE RING | 1 | |
| 015 | 231989-3 | RING SPRING 46 | 1 | |
| 016 | 416938-3 | HOUSING COVER | 1 | |
| 017 | 265439-6 | HEX. BOLT M8X150 | 1 | |
| 018 | 417003-1 | SIDE HANDLE | 1 | |
| 019 | 252640-2 | WING NUT M8 | 1 | |
| 020 | 951166-8 | SPRING PIN 5-24 | 1 | |
| 021 | 417002-3 | SIDE HANDLE CAM | 1 | |
| 022 | 317223-6 | SIDE HANDLE BASE 82A | 1 | |
| 023 | 317224-4 | SIDE HANDLE BASE 82B | 1 | |
| 024 | 417002-3 | SIDE HANDLE CAM | 1 | |
| 025 | 213670-8 | O RING 58 | 1 | |
| 026 | 310087-7 | BARREL | 1 | |
| 027 | 216011-7 | STEEL BALL 5.6 | 4 | |
| 028 | 922451-6 | HEX. SOCKET HEAD BOLT M8X30 | 4 | |
| 029 | 213720-9 | O RING 67 | 1 | |
| 030 | ***** | ***** | *** | ***** |
| 031 | ***** | ***** | *** | ***** |
| 032 | ***** | ***** | *** | ***** |
| 033 | 323860-6 | ROLLER 12 | 1 | |
| 034 | 213431-6 | FLUORIDE RING 28 | 2 | |
| 035 | 213394-6 | O RING 23 | 2 | |
| 036 | 323908-4 | IMPACT BOLT | 1 | |
| 037 | 323909-2 | IMPACT BOLT GUIDE | 1 | |
| 038 | 421691-8 | RUBBER RING 25 | 1 | |
| 039 | 323875-3 | COLLARED SLEEVE 24 | 1 | |
| 040 | ***** | ***** | *** | ***** |
| 041 | ***** | ***** | *** | ***** |
| 042 | ***** | ***** | *** | ***** |
| 043 | 416928-6 | SLIDE SLEEVE 49 | 1 | |
| 044 | 257224-1 | RING 49 | 1 | |
| 045 | 213508-7 | O RING 38 | 1 | |
| 046 | 233246-5 | COMPRESSION SPRING 50 | 1 | |
| 047 | 416935-9 | CRANK CAP | 1 | |
| 048 | 213806-9 | O RING 90 | 1 | |
| 049 | 323910-7 | STRIKER | 1 | |
| 050 | 213485-3 | O RING 34 | 1 | |
| 051 | 213485-3 | O RING 34 | 1 | |
| 052 | 213523-1 | O RING 36 | 1 | |
| 053 | 257693-6 | SLEEVE 9 | 1 | |
| 054 | 416929-4 | PISTON | 1 | |
| 055 | 416930-9 | ROD | 1 | |
| 056 | 323877-9 | CRANK SHAFT | 1 | |
| 057 | 211327-5 | BALL BEARING 6304LLU | 1 | |
| 058 | 212113-7 | NEEDLE BEARING 1212 | 1 | |
| 059 | ***** | ***** | *** | ***** |

SPARE PARTS LIST

MODEL NO. HM1242C

| ITEM | PART NO. | DESCRIPTION | QTY | NOTE |
|------|----------|-----------------------------|-----|-------|
| 060 | 416940-6 | CONTROLLER COVER | 1 | |
| 061 | 415692-6 | STOPPER | 1 | |
| 062 | 421507-7 | HANDLE | 1 | |
| 063 | 922361-7 | HEX. SOCKET HEAD BOLT M6X40 | 2 | |
| 064 | 922353-6 | HEX.SOCKET HEAD BOLT M6X30 | 2 | |
| 065 | 922353-6 | HEX.SOCKET HEAD BOLT M6X30 | 4 | |
| 066 | 416932-5 | ACRYLIC PIN 5 | 2 | |
| 067 | 416931-7 | SWITCH LEVER | 1 | |
| 068 | ***** | ***** | *** | ***** |
| 069 | 213273-8 | OIL SEAL 17 | 1 | |
| 070 | 516803-7 | ARMATURE ASS'Y 220/240V | 1 | |
| 071 | 681642-5 | INSULATION WASHER | 1 | |
| 072 | 211088-7 | BALL BEARING 6000DDW | 1 | |
| 073 | 416936-7 | BAFFLE PLATE | 1 | |
| 074 | 266095-5 | TAPPING SCREW 5X55 | 2 | |
| 075 | 526093-4 | FIELD ASS'Y 220/240V | 1 | |
| 076 | ***** | ***** | *** | ***** |
| 077 | 852090-7 | NAME PLATE HM1242C | 1 | |
| 078 | 263002-9 | RUBBER PIN 4 | 1 | |
| 079 | 819064-1 | MAKITA MARK | 2 | |
| 080 | 651481-7 | SWITCH STE215K | 1 | |
| 081 | 631273-0 | CONTROLLER | 1 | |
| 082 | 181048-2 | A.C. CARBON BRUSH CB-155 | 1 | |
| 083 | 643650-4 | BRUSH HOLDER CAP 6.5-13.5 | 2 | |
| 084 | 922364-1 | HEX. SOCKET HEAD BOLT M6X40 | 4 | |
| 085 | 415695-0 | FIX ROD | 1 | |
| 086 | 687053-2 | STRAIN RELIEF | 1 | |
| 087 | 265995-6 | TAPPING SCREW 4X18 | 2 | |
| 088 | 416937-5 | REAR COVER | 1 | |
| 089 | 265995-6 | TAPPING SCREW 4X18 | 2 | |
| 090 | 682560-0 | CORD GUARD 10 | 1 | |
| 091 | 695123-3 | POWER SUPPLY CORD 1.5-2-4.0 | 1 | |
| 092 | 241908-1 | FAN 80 | 1 | |
| 093 | 213508-7 | O RING 38 | 2 | |
| 094 | 421914-4 | CONTROLLER PROTECTOR | 1 | |
| 095 | 267809-5 | WAVE WASHER 19 | 1 | |
| A01 | ***** | ***** | *** | ***** |
| A02 | 824564-8 | PLASTIC CARRYING CASE | 1 | |
| B01 | 134885-3 | SIDE HANDLE ASS'Y | 1 | |