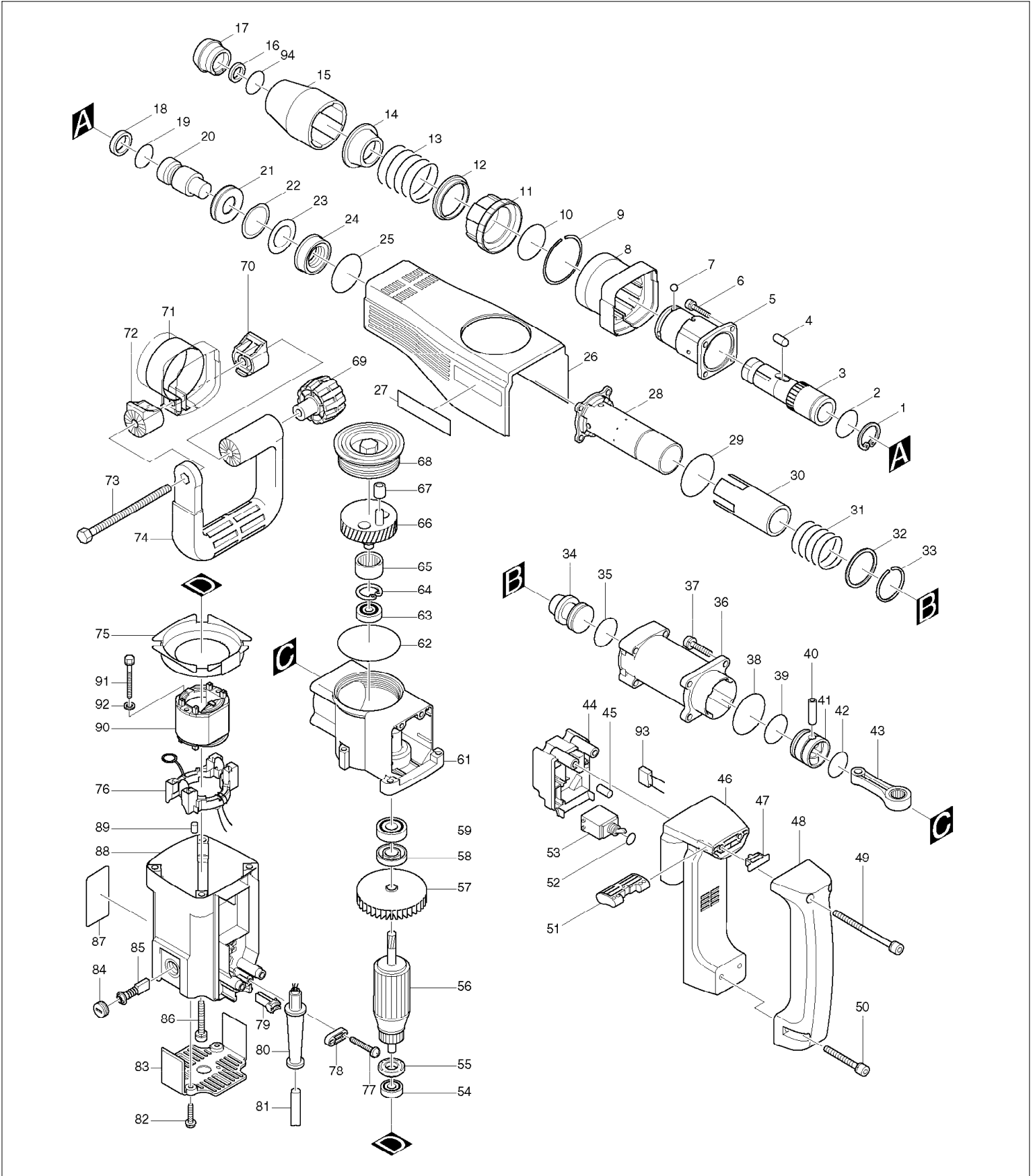


# SERVICE DRAWING

MODEL NO. HM1100



# SPARE PARTS LIST

MODEL NO. HM1100

ITEM	PART NO.	DESCRIPTION	QTY	NOTE
001	962154-0	RETAINING RING R-36	1	
002	213479-8	O RING 33	1	
003	322982-9	TOOL HOLDER	1	
004	322908-1	ROLLER 8	2	
005	322882-3	TOOL HOLDER SUPPORT	1	
006	922351-0	HEX. SOCKET HEAD BOLT M6X30	4	
007	216011-7	STEEL BALL 5.6	4	
008	416086-8	SIDE HANDLE SUPPORT	1	
009	231972-0	RING SPRING 52	1	
010	213554-0	O RING 44	1	
011	*****	*****	***	*****
012	331489-4	STEEL BALL GUIDE	1	
013	233167-1	COMPRESSION SPRING 44	1	
014	*****	*****	***	*****
015	416085-0	TOOL HOLDER COVER	1	
016	213270-4	X RING 18	1	
017	*****	*****	***	*****
018	213269-9	X RING 19	1	
019	213311-6	O RING 19	1	
020	*****	*****	***	*****
021	331487-8	IMPACT BOLT GUIDE	1	
022	421570-0	RING 36	1	
023	213391-2	O RING 25	1	
024	331488-6	SLEEVE GUIDE	1	
025	213554-0	O RING 44	1	
026	415698-4	HOUSING COVER	1	
027	819064-1	MAKITA MARK	1	
028	*****	*****	***	*****
029	213614-8	O RING 50	1	
030	*****	*****	***	*****
031	*****	*****	***	*****
032	267156-4	FLAT WASHER 39	1	
033	231971-2	RING SPRING 36	1	
034	322907-3	STRIKER	1	
035	213429-3	O RING 27	1	
036	316672-4	BARREL	1	
037	922351-0	HEX. SOCKET HEAD BOLT M6X30	4	
038	213606-7	O RING 48	1	
039	213429-3	O RING 27	1	
040	*****	*****	***	*****
041	415773-6	PISTON	1	
042	213415-4	O RING 28	1	
043	415689-5	ROD	1	
044	415699-2	SWITCH BOX	1	
045	263002-9	RUBBER PIN 4	2	
046	*****	*****	***	*****
047	415692-6	STOPPER	1	
048	421507-7	HANDLE	1	
049	266135-9	HEX. SOCKET HEAD BOLT M6X90	2	
050	922371-4	HEX. SOCKET HEAD BOLT M6X50	2	
051	415691-8	SWITCH LEVER	1	
052	213107-5	O RING 12	1	
053	651481-7	SWITCH STE215K	1	
054	211033-2	BALL BEARING 608LB	1	
055	*****	*****	***	*****
056	510028-5	ARMATURE ASS'Y 220/240V	1	220/240V

# SPARE PARTS LIST

MODEL NO. HM1100

ITEM	PART NO.	DESCRIPTION	QTY	NOTE
		220/240V		
057	241876-8	FAN 76	1	
058	213160-1	OIL SEAL 14	1	
059	*****	*****	***	*****
061	*****	*****	***	*****
062	213707-1	O RING 65	1	
063	210054-1	BALL BEARING 6000LLU	1	
064	962105-3	RETAINING RING R-26	1	
065	212259-9	NEEDLE BEARING 2116	1	
066	153249-2	CRANK SHAFT COMPLETE	1	
067	216116-3	INNER SLEEVE 812	1	
068	415690-0	CRANK CAP	1	
069	252640-2	WING NUT M8	1	
070	*****	*****	***	*****
071	*****	*****	***	*****
072	*****	*****	***	*****
073	265439-6	HEX. BOLT M8X150	1	
074	*****	*****	***	*****
075	415693-4	BAFFLE PLATE	1	
076	632678-7	SUPPORT COMPLETE	1	
077	265995-6	TAPPING SCREW 4X18	2	
078	*****	*****	***	*****
079	416167-8	FIX ROD	1	
080	*****	*****	***	*****
081	665883-1	POWER SUPPLY CORD 1.0-2-5.0	1	
082	266021-4	TAPPING SCREW 5X20	2	
083	415700-3	REAR COVER	1	
084	643750-0	BRUSH HOLDER CAP	2	
085	*****	*****	***	*****
086	922364-1	HEX. SOCKET HEAD BOLT M6X40	4	
087	858345-8	NAME PLATE HM1100	1	
088	*****	*****	***	*****
089	263014-2	RUBBER PIN 4	1	
090	639009-1	FIELD 220V	1	220V
091	265345-5	+ HEX. BOLT M5X60	2	
092	941102-2	FLAT WASHER 5	2	
093	645105-5	NOISE SUPPRESSOR	1	
094	213385-7	O RING 24	1	
095	417002-3	SIDE HANDLE CAM	2	
A01	150676-4	PLASTIC CARRYING CASE	1	
A02	*****	*****	***	*****
B01	*****	*****	***	*****
E06	646078-5	CHOKE COIL	1	