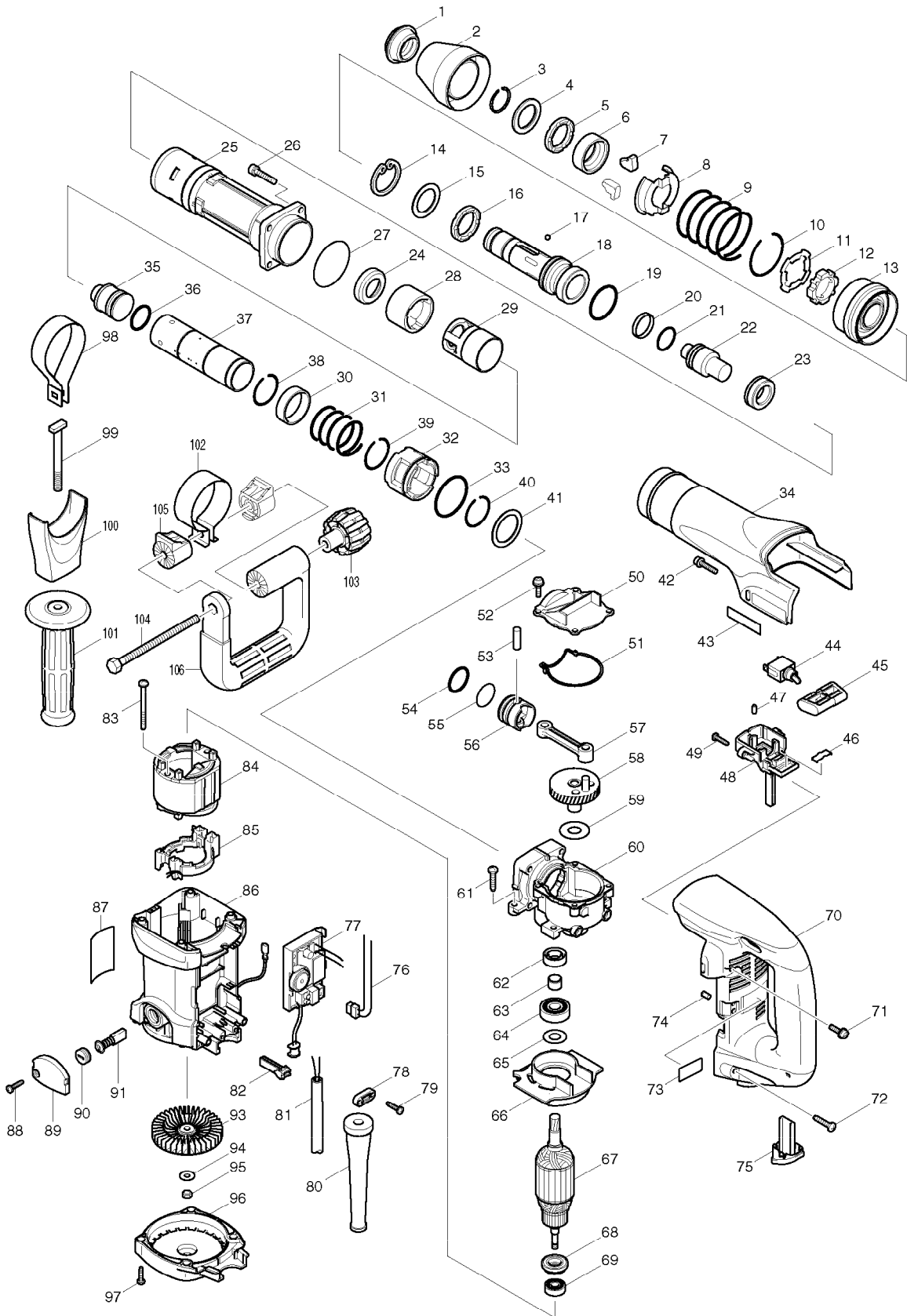


SERVICE DRAWING

MODEL NO. HM0860C



SPARE PARTS LIST

MODEL NO. HM0860C

ITEM	PART NO.	DESCRIPTION	QTY	NOTE
001	286269-2	TOOL HOLDER CAP	1	
002	418351-1	CHUCK COVER	1	
003	231984-3	RING SPRING 25	1	
004	267272-2	FLAT WASHER 28	1	
005	262110-3	URETHAN RING 28	1	
006	331659-5	CHUCK RING	1	
007	310108-5	TOOL RETAINER	2	
008	345360-6	SPRING GUIDE	1	
009	233387-7	COMPRESSION SPRING 52	1	
010	233928-9	RING SPRING 50	1	
011	345371-1	PLATE	1	
012	310145-9	LOCK RING	1	
013	418357-9	CHANGE RING	1	
014	962211-4	RETAINING RING R-42	1	
015	267273-0	FLAT WASHER 29	1	
016	262110-3	URETHAN RING 28	1	
017	216002-8	STEEL BALL 4.8	4	
018	324387-9	TOOL HOLDER	1	
019	213527-3	O RING 38	1	
020	213431-6	FLUORIDE RING 28	1	
021	213394-6	O RING 23	1	
022	324389-5	IMPACT BOLT	1	
023	421852-0	RUBBER RING 20	1	
024	267780-3	CUP WASHER 23	1	
025	*****	*****	***	*****
026	922351-0	HEX. SOCKET HEAD BOLT M6X30	4	
027	213656-2	O RING 53	1	
028	*****	*****	***	*****
029	*****	*****	***	*****
030	331660-0	RING 36	1	
031	233386-9	COMPRESSION SPRING 37	1	
032	317719-7	CYLINDER GUIDE	1	
033	213611-4	O RING 46	1	
034	183719-7	CRANK HOUSING COVER	1	
035	324388-7	STRIKER	1	
036	213958-6	O RING 24	1	
037	331658-7	CYLINDER 32	1	
038	233927-1	RING SPRING 34	1	
039	233927-1	RING SPRING 34	1	
040	233927-1	RING SPRING 34	1	
041	267079-6	FLAT WASHER 34	1	
042	922243-3	HEX. SOCKET HEAD BOLT M5X25	1	
043	819063-3	MAKITA LABEL	2	
044	651423-1	SWITCH	1	
045	418360-0	SWITCH LEVER	1	
046	232209-8	LEAF SPRING	1	
047	263027-3	RUBBER PIN 4	1	
048	418361-8	SWITCH BOX	1	
049	265995-6	TAPPING SCREW 4X18	2	
050	418358-7	CRANK CAP	1	
051	421851-2	SEAL RING	1	
052	911233-1	PAN HEAD SCREW M5X20	4	
053	268104-6	PIN 8	1	
054	213958-6	O RING 24	1	
055	213432-4	O RING 26	1	

SPARE PARTS LIST

MODEL NO. HM0860C

ITEM	PART NO.	DESCRIPTION	QTY	NOTE
056	418349-8	PISTON	1	
057	418350-3	CONNECTING ROD	1	
058	153676-3	CRANK SHAFT COMPLETE	1	
059	267166-1	FLAT WASHER 14	1	
060	153678-9	CRANK HOUSING COMPLETE	1	
061	266041-8	TAPPING SCREW 5X25	4	
062	213231-4	OIL SEAL 15	1	
063	331596-3	SLEEVE 12	1	
064	211137-0	BALL BEARING 6201LLU	1	
065	253759-0	FLAT WASHER 12	1	
066	418355-3	BAFFLE PLATE	1	
067	513563-2	ARMATURE ASS'Y 220-240V	1	
068	681650-6	INSULATION WASHER	1	
069	210005-4	BALL BEARING 608DDW	1	
070	418366-8	HANDLE	1	
071	911233-1	PAN HEAD SCREW M5X20	2	
072	266041-8	TAPPING SCREW 5X25	2	
073	815954-6	HM0860C SERIAL NO.LABEL	1	
074	416285-2	ACRYLIC PIN 5	2	
075	418359-5	HANDLE CAP	1	
076	638294-3	LEAD UNIT	1	
077	631554-2	CONTROLLER	1	
078	687053-2	STRAIN RELIEF	1	
079	265995-6	TAPPING SCREW 4X18	2	
080	682560-0	CORD GUARD 10	1	
081	695123-3	POWER SUPPLY CORD 1.5-2-4.0	1	
082	418353-7	FIX ROD	1	
083	266044-2	TAPPING SCREW 5X60	2	
084	634508-8	FIELD 220-240V	1	
085	638293-5	SUPPORT COMPLETE	1	
086	153677-1	MOTOR HOUSING COMPLETE	1	
087	850965-4	NAME PLATE HM0860C	1	
088	265995-6	TAPPING SCREW 4X18	2	
089	418362-6	BRUSH HOLDER COVER	2	
090	643750-0	BRUSH HOLDER CAP	2	
091	*****	*****	***	*****
093	135058-1	FAN 76 ASS'Y	1	
094	253047-5	FLAT WASHER 6	1	
095	931303-0	HEX. NUT M6	1	
096	418354-5	REAR COVER	1	
097	265995-6	TAPPING SCREW 4X18	4	
098	345361-4	GRIP SPRING 60	1	
099	266322-0	SQUARE BOLT M8X80	1	
100	418363-4	SIDE GRIP BASE 60	1	
101	152554-4	GRIP 36 COMPLETE	1	
A01	181573-3	GREASE VESSEL 93G	1	
A02	824708-0	PLASTIC CARRYING CASE	1	