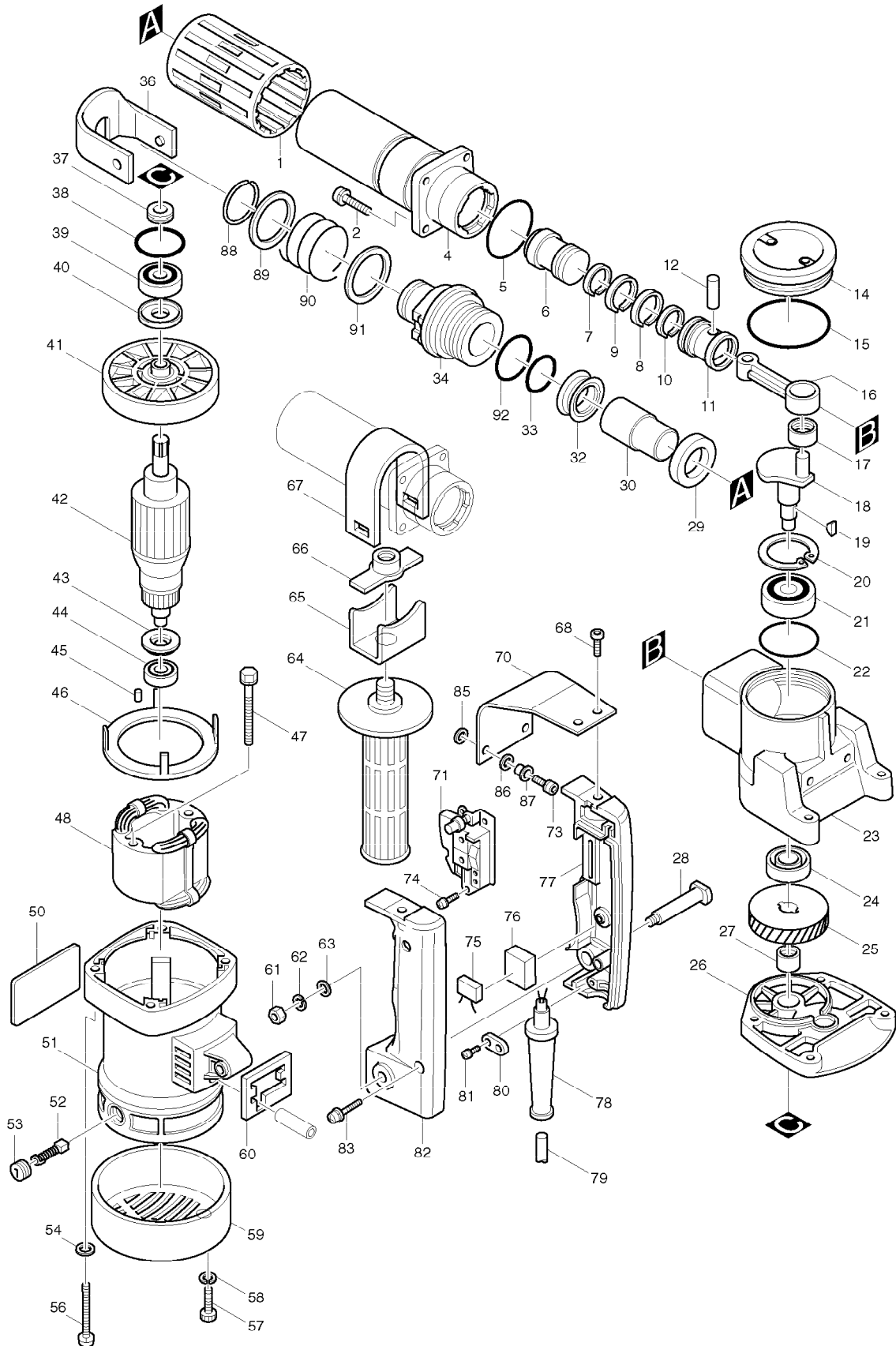


SERVICE DRAWING

MODEL NO. HM0810



SPARE PARTS LIST

MODEL NO. HM0810

ITEM	PART NO.	DESCRIPTION	QTY	NOTE
001	*****	*****	***	*****
002	922341-3	HEX. SOCKET HEAD BOLT M6X25	4	
004	*****	*****	***	*****
005	213554-0	O RING 44	1	
006	321929-0	STRIKER	1	
007	412073-5	INNER RING 26	1	
008	412053-1	PISTON RING 30	1	
009	412053-1	PISTON RING 30	1	
010	321514-9	INNER RING 26	1	
011	321958-3	PISTON	1	
012	256165-8	PIN 8	1	
013	813002-5	MAKITA LABEL	1	
015	213654-6	O RING 60	1	
016	312956-8	ROD	1	
017	212108-0	NEEDLE BEARING 1212	1	
018	321954-1	CRANK SHAFT	1	
019	254001-2	WOODRUFF KEY 4	2	
020	962203-3	RETAINING RING R-47	1	
021	*****	*****	***	*****
022	213606-7	O RING 48	1	
023	157627-8	CRANK HOUSING COMPLETE	1	
024	213260-7	OIL SEAL 17	1	
025	221669-9	HELICAL GEAR 41	1	
026	157628-6	GEAR HOUSING	1	
027	212102-2	NEEDLE BEARING 1210	1	
028	321210-9	HANDLE SHAFT	1	
029	253955-0	FLAT WASHER 24	1	
030	321495-7	IMPACT BOLT	1	
032	*****	*****	***	*****
033	213411-2	O RING 27	1	
034	*****	*****	***	*****
037	331194-3	SEAL	1	
038	213459-4	O RING 32	1	
039	*****	*****	***	*****
040	213102-5	DUST SEAL 12	1	
041	241827-1	FAN 82	1	
042	*****	*****	***	*****
043	681625-5	INSULATION WASHER	1	
044	211031-6	BALL BEARING 608LLB	1	
045	263014-2	RUBBER PIN 4	1	
046	410509-8	BAFFLE PLATE	1	
047	265345-5	+ HEX. BOLT M5X60	2	
050	855553-2	NAME PLATE HM0810	1	
051	*****	*****	***	*****
052	181038-5	A.C. CARBON BRUSH CB-105	1	
053	643600-9	BRUSH HOLDER CAP 6-10	2	
054	941151-9	FLAT WASHER 6	4	
056	922371-4	HEX. SOCKET HEAD BOLT M6X50	4	
057	922226-3	HEX. SOCKET HEAD BOLT M5X18	2	
058	942101-7	SPRING WASHER 5	2	
059	284059-7	REAR COVER	1	
060	*****	*****	***	*****
061	931302-2	HEX. NUT M6	1	
062	942151-2	SPRING WASHER 6	1	

SPARE PARTS LIST

MODEL NO. HM0810

ITEM	PART NO.	DESCRIPTION	QTY	NOTE
063	941151-9	FLAT WASHER 6	1	
064	273457-0	GRIP 32	1	
065	341922-8	GRIP BASE	1	
066	321497-3	CLAMP NUT	1	
067	341914-7	GRIP CLAMP	1	
068	922316-2	HEX. SOCKET HEAD BOLT M6X14	2	
070	343753-1	CUSHION PLATE	2	
073	265914-2	HEX. SOCKET HEAD BOLT M6X25	2	
074	911109-2	PAN HEAD SCREW M4X8	2	
077	*****	*****	***	*****
081	911133-5	PAN HEAD SCREW M4X18	2	
082	*****	*****	***	*****
083	911243-8	PAN HEAD SCREW M5X25	1	
085	262051-3	RUBBER RING 9	2	
086	262052-1	RUBBER RING 9	2	
087	257636-8	SLEEVE 6	2	
088	231936-4	RING SPRING 30.5	1	
089	267112-4	FLAT WASHER 34	1	
090	233052-8	COMPRESSION SPRING 35	1	
091	267112-4	FLAT WASHER 34	1	
092	213508-7	O RING 38	1	
093	267203-1	FLAT WASHER 43	1	
401	*****	*****	***	*****
404	783202-0	HEX. WRENCH 4	1	