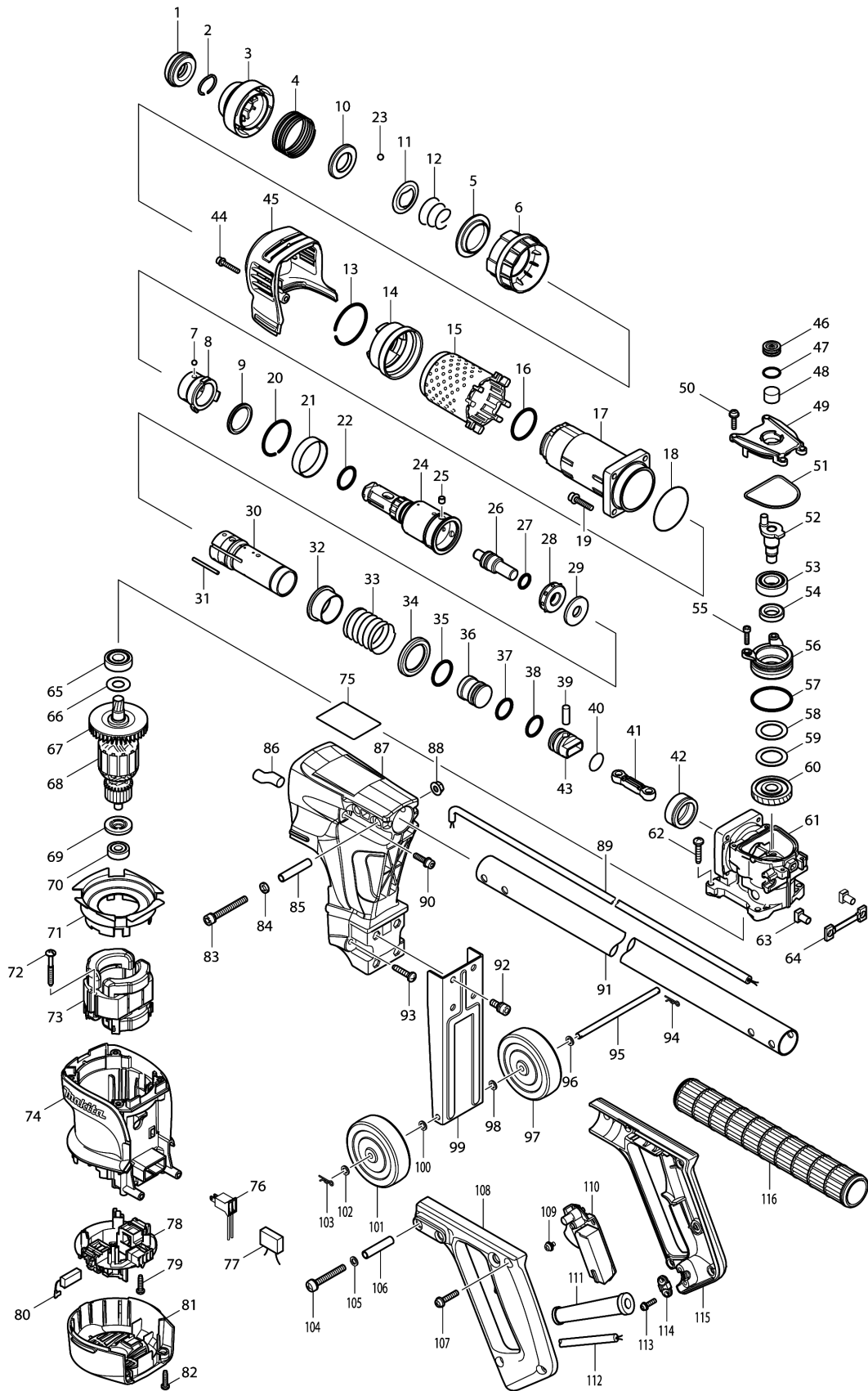


# Model No.HK1820L POWER SCRAPER



Model No.HK1820L POWER SCRAPER

Item	Parts No.	Description	I/C	Qty	New/Old	Opt. 1	Opt. 2	Note
001	286283-8	CAP 38		1				
002	233966-1	RING SPRING 19		1				
003	450275-5	CHUCK COVER		1				
004	234039-3	COMPRESSION SPRING 42		1				
005	345874-5	STEEL BALL GUIDE		1				
006	450274-7	CHANGE RING		1				
007	216002-8	STEEL BALL 4.8		3				
008	331796-5	RING 25		1				
009	262142-0	URETHAN RING 26		1				
010	257288-5	RING 21		1				
011	345873-7	GUIDE WASHER		1				
012	233916-6	CONICAL COMP. SPRING 21-29		1				
013	231985-1	RING SPRING 43		1				
014	450273-9	BARREL COVER SUPPORT		1				
015	424066-0	BARREL COVER		1				
016	213465-9	O RING 31		1				
017	318196-6	BARREL		1	*			
017-1	318196-6	BARREL	O	1	*			
017-2	318196-6	BARREL	O	1				
018	213606-7	O RING 48		1				
019	922243-3	HEX. SOCKET HEAD BOLT M5X25		4				
020	233956-4	RING SPRING 37		1				
021	257290-8	RING 39		1	*			
021-1	257296-6	RING 39	S	1				
022	213008-7	O RING 22.4		1				
023	216022-2	STEEL BALL 7.0		2				
024	324837-4	TOOL HOLDER		1				
025	256266-2	PIN 6		3	*			
025-1	268226-2	PIN 6	S	3				
026	324844-7	IMPACT BOLT		1				
027	213128-7	O RING 12		1				
028	424065-2	RUBBER RING 13		1				
029	267363-9	FLAT WASHER 12		1				
030	331804-2	CYLINDER		1	*			
030-1	331849-0	CYLINDER	S	1				
031	256833-3	ROD 3		3	*			
031-1	256862-6	ROD 2.5	S	3				
032	331799-9	RING 29		1				
033	234041-6	COMPRESSION SPRING 32		1				
034	345872-9	CUP WASHER 29		1				
035	213435-8	O RING 26		1	*			

Model No.HK1820L POWER SCRAPER

Item	Parts No.	Description	I/C	Qty	New/Old	Opt. 1	Opt. 2	Note
036	324847-1	STRIKER		1				
037	213283-5	O-RING 18		1				
038	213283-5	O-RING 18		1				
039	256087-2	PIN 7		1				
040	213262-3	O RING 18		1				
041	450278-9	CONNECTING ROD		1				
042	331797-3	SLEEVE 29		1				
043	450298-3	PISTON		1				
044	922148-7	HEX. SOCKET HEAD BOLT M4X25		1				
045	450277-1	CRANK HOUSING COVER		1				
046	419988-7	FILTER CAP		1				
047	213218-6	O RING 16		1				
048	443129-3	FILTER		1				
049	450276-3	CRANK CAP		1				
050	911133-5	PAN HEAD SCREW M4X18		4				
051	424067-8	SEAL RING		1				
052	324845-5	CRANK SHAFT		1				
053	211232-6	BALL BEARING 6002LLU		1				
054	213219-4	OIL SEAL 15		1				
055	265490-6	HEX. SOCKET HEAD BOLT M4X16		2				
056	318202-7	BEARING BOX		1				
057	213513-4	O RING 39		1				
058	267126-3	FLAT WASHER 22		1				
059	267126-3	FLAT WASHER 22		1				
060	226675-9	HELICAL GEAR 36		1				
061	158523-3	CRANK HOUSING COMPLETE		1	*			
C10	213415-4	O RING 28		1	*			
061-1	158523-3	CRANK HOUSING COMPLETE	O	1				
C10	213415-4	O RING 28		1				
062	266041-8	TAPPING SCREW 5X25		4				
063	331798-1	FIX GUIDE		2				
064	424068-6	CUSHION PLATE		1				
065	211131-2	BALL BEARING 6001DDW		1				
066	253748-5	FLAT WASHER 12		1				
067	241879-2	FAN 60		1				
068	513759-5	ARMATURE ASS'Y 240V		1				
D10		INC. 65-67,69,70						
069	681644-1	INSULATION WASHER		1				
070	210005-4	BALL BEARING 608DDW		1				
071	450265-8	BAFFLE PLATE		1				
072	266211-9	TAPPING SCREW 5X40		2				

Model No.HK1820L POWER SCRAPER

Item	Parts No.	Description	I/C	Qty	New/Old	Opt. 1	Opt. 2	Note
073	625818-4	FIELD 220-240V		1				
074	450263-2	MOTOR HOUSING		1				
075	864991-7	HK1820L NAMEPLATE		1				
076	638607-8	LEAD UNIT		1				
077	645200-1	NOISE SUPPRESSOR		1				
078	638577-1	BRUSH HOLDER UNIT		1				
079	265995-6	TAPPING SCREW 4X18		4				
080	194160-9	CARBON BRUSH CB-350		1				
081	450264-0	REAR COVER		1				
082	265995-6	TAPPING SCREW 4X18		2				
083	922371-4	HEX. SOCKET HEAD BOLT M6X50		2				
084	941151-9	FLAT WASHER 6		2				
085	257734-8	SLEEVE 6		2				
086	683242-7	POLYETHYLENE TUBE 10-40		1	*			
086-1	683247-7	POLYETHYLENE TUBE 10-960	<	1				
087	450467-6	HANDLE BASE		1				
088	252115-1	FLANGE HEX.NUT M6		2				
089	664176-3	POWER SUPPLY CORD #18- 2-1.105		1				
090	266439-9	HEX SOCKET HEAD BOLT M5X20		2				
091	331839-3	PIPE 29-900		1				
092	922323-5	HEX.SOCKET HEAD BOLT M6X16		4				
093	266041-8	TAPPING SCREW 5X25		2				
094	259011-4	SNAP PIN 6		1				
095	321962-2	ROD		1				
096	941152-7	FLAT WASHER 6		1				
097	421310-6	CASTER 75		1				
098	941152-7	FLAT WASHER 6		1				
099	345890-7	SUPPORTER		1				
100	941152-7	FLAT WASHER 6		1				
101	421310-6	CASTER 75		1				
102	941152-7	FLAT WASHER 6		1				
103	259011-4	SNAP PIN 6		1				
104	911366-2	PAN HEAD SCREW M6X45		2				
105	941152-7	FLAT WASHER 6		2				
106	257632-6	SLEEVE 6		2				
107	911243-8	PAN HEAD SCREW M5X25		3				
108	181954-1	HANDLE SET		1				
D10		INC. 115						
109	911109-2	PAN HEAD SCREW M4X8		2				
110	651018-0	SWITCH HPAHR2-3S		1				

Model No.HK1820L POWER SCRAPER

Item	Parts No.	Description	I/C	Qty	New/Old	Opt. 1	Opt. 2	Note
111	682505-8	CORD GUARD 10-90		1				
112	665883-1	POWER SUPPLY CORD 1.0-2-5.0		1				
113	911128-8	P.H.SCREW M4X16 WITH WR		2				
114	687031-2	STRAIN RELIEF		1				
115	181954-1	HANDLE SET		1				
D10		INC. 108						
116	424091-1	GRIP COVER 28		1				
117	423122-3	CUSHION PLATE	S	3	*			
118	213142-3	O-RING 35	S	1				
A01	783203-8	HEX. WRENCH 5		1				

Please order the parts with part number.

Print Date 8/9/2020