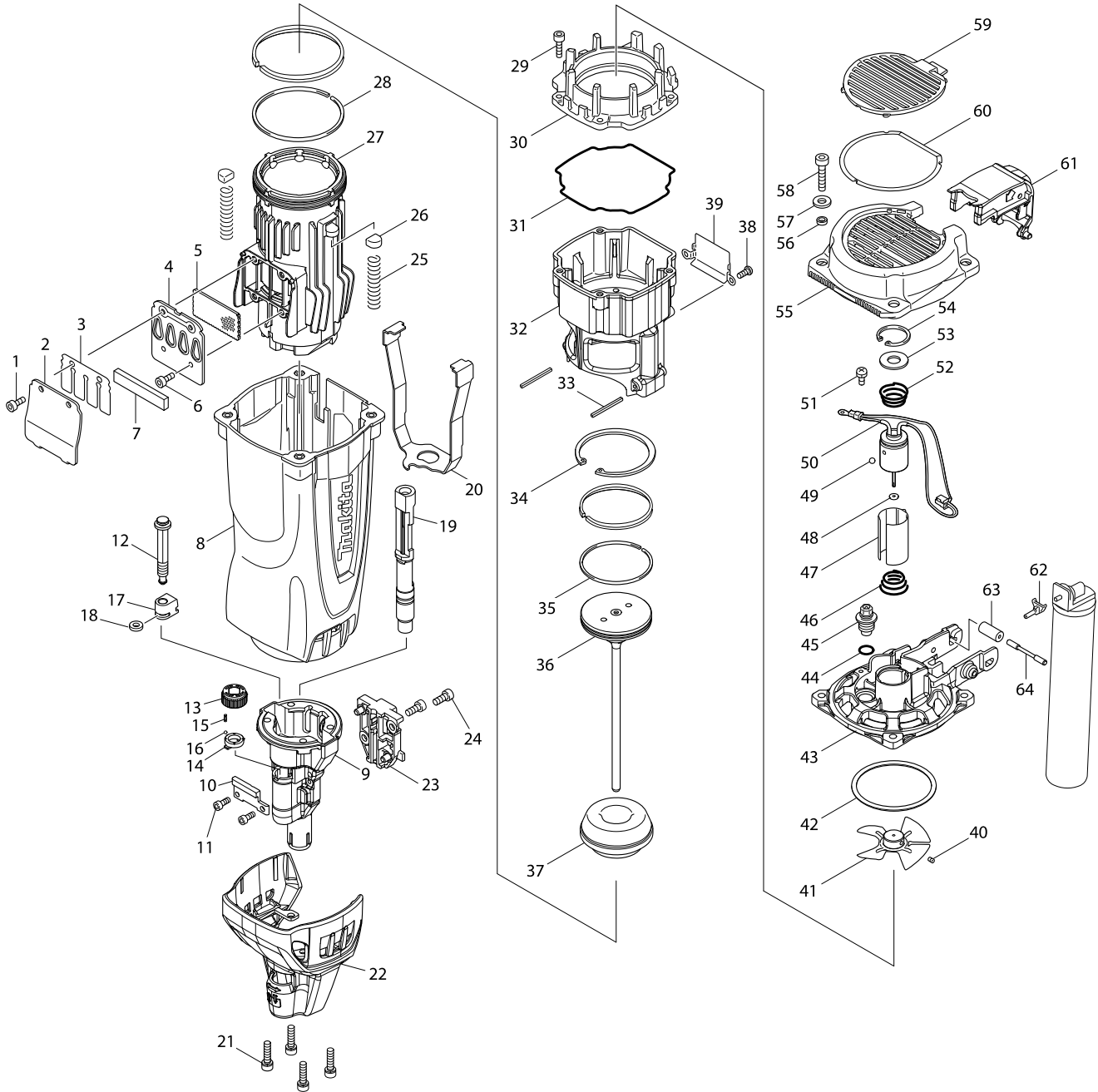
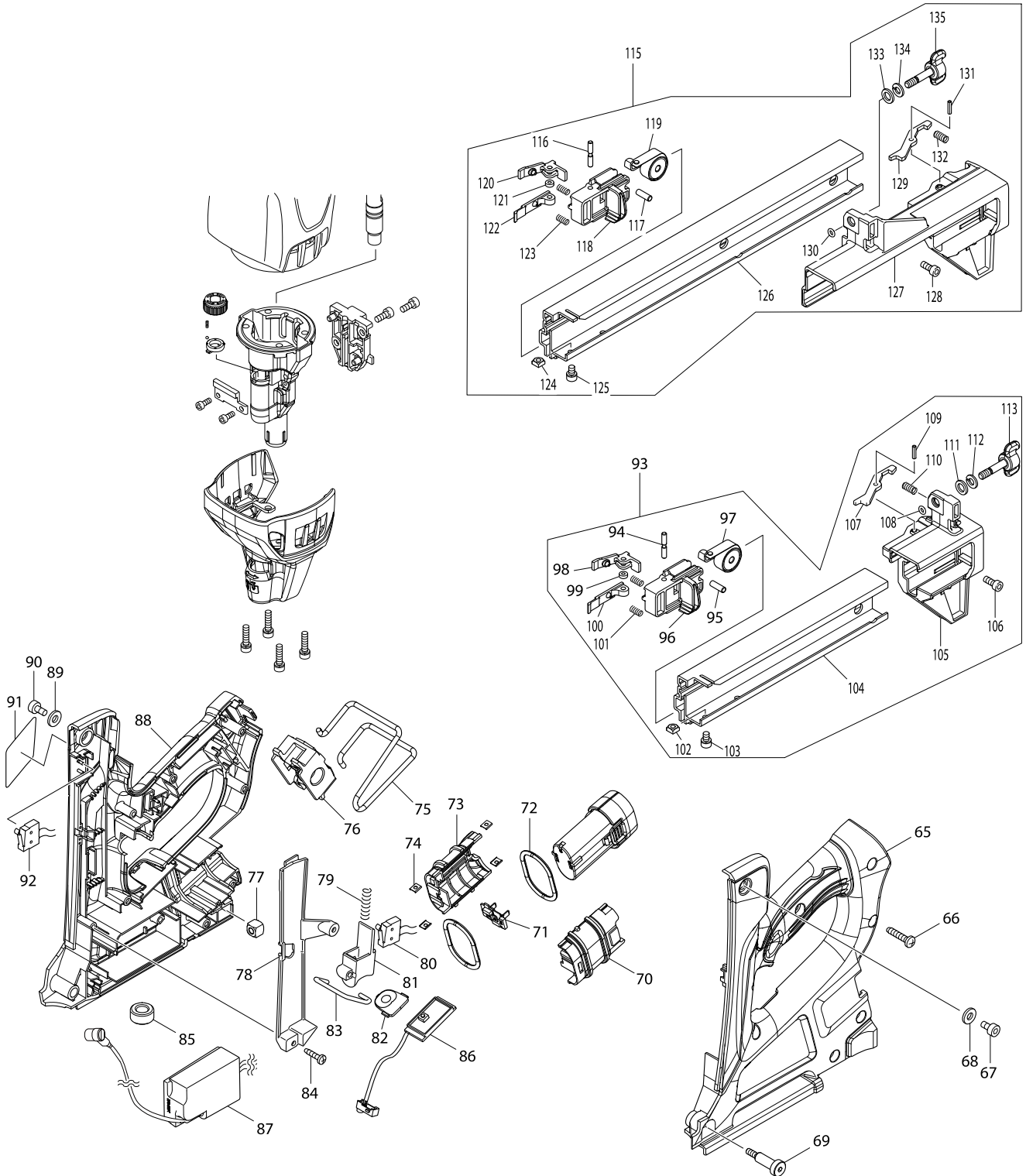


# Model No. GN420C CORDLESS CONCRETE NAILER



# Model No. GN420C CORDLESS CONCRETE NAILER



# Model No. GN420C CORDLESS CONCRETE NAILER

Item	Parts No.	Description	I/C	Qty	N/O	Opt. 1	Opt. 2	Note
001	922112-8	HEX. SOCKET HEAD BOLT M4X10		2				
002	345984-8	EXHAUST COVER		1				
003	345982-2	EXHAUST VALVE		1				
004	345983-0	EXHAUST PLATE		1				
005	352008-3	PUNCHING METAL		1				
006	922112-8	HEX. SOCKET HEAD BOLT M4X10		2				
007	352009-1	SILENCER		1				
008	450729-2	HOUSING		1				
009	310517-8	DRIVER GUIDE		1				
010	310524-1	NAIL PLATE		1				
011	266167-6	HEX. SOCKET HEAD BOLT M4X10		2				
012	326246-3	ADJUSTER ROD		1				
013	453806-9	ADJUSTER		1				
014	453807-7	ADJUSTER GUIDE		1				
015	234254-9	COMPRESSION SPRING 2		1				
016	216031-1	STEEL BALL 2.3		1				
017	310519-4	ADJUSTER BLOCK		1				
018	262164-0	RUBBER RING 5		1				
019	331996-7	CONTACT TOP		1				
020	346613-6	ARM		1				
021	266464-0	HEX. SOCKET HEAD BOLT M5X20		4				
022	141611-3	DUST COVER COMPLETE		1				
023	141608-2	UNDER DRIVER GUIDE COMPLETE		1	*			
023-1	142683-1	UNDER DRIVER GUIDE COMPLETE	S	1				
024	922212-4	HEX. SOCKET HEAD BOLT M5X12		2				
025	234255-7	COMPRESSION SPRING 8		2				
026	424138-1	STOP RUBBER		2				
027	318902-9	CYLINDER		1				
028	324973-6	CYLINDER RING		2				
029	922127-5	HEX. SOCKET HEAD BOLT M4X16		4				
030	318322-7	CHAMBER TOP		1				
031	424139-9	CHAMBER SEAL RING		1				
032	318320-1	CHAMBER		1				
033	951078-5	SPRING PIN 3-32		2				
034	962254-6	RETAINING RING (INT) R-58		1				
035	324972-8	PISTON RING		2				
036	141606-6	DRIVER COMPLETE		1				
037	424137-3	FRONT CUSHION		1				
038	265069-3	+PAN HEAD SCREW M4X10		2				
039	345985-6	TRIGGER LOCK PLATE		1				
040	913904-6	SET SCREW (CUP POINT) M3X4		1				
041	241674-0	FAN 60		1				
042	213679-0	O-RING 60		1				
043	318321-9	CYLINDER HEAD		1				
044	213070-2	O RING 10		1				
045	162269-5	SPARK PLUG		1				
046	233969-5	C COMPRESSION SPRING 12-18		1				
047	454002-2	MOTOR SLEEVE		1				

# Model No. GN420C CORDLESS CONCRETE NAILER

Item	Parts No.	Description	I/C	Qty	N/O	Opt. 1	Opt. 2	Note
048	261141-9	EPOXY WASHER 2		1				
049	216019-1	STEEL BALL 3		1				
050	629860-7	DC MOTOR		1				
051	652014-1	PAN HEAD SCREW M4X8		1				
052	233969-5	C COMPRESSION SPRING 12-18		1				
053	253024-7	FLAT WASHER 10		1				
054	962103-7	RETAINING RING R-24		1				
055	450730-7	TOP CAP		1				
056	257672-4	SLEEVE 5		4				
057	941101-4	FLAT WASHER 5		4				
058	922242-5	HEX. SOCKET HEAD BOLT M5X25		4				
059	450733-1	FILTER COVER		1				
060	162270-0	FILTER		1				
061	454202-4	ACTUATER		1				
062	454003-0	STEM ADAPTER		1				
063	422044-4	RUBBER SLEEVE 9		1				
064	324976-0	SHOULDER PIN 4		1				
065	187560-0	HANDLE SET		1				
C10	898794-7	CAUTION LABEL		1				
D10		INC. 88						
066	266041-8	TAPPING SCREW 5X25		6				
067	265907-9	HEX. SOCKET HEAD BOLT M5X10		1				
068	941102-2	FLAT WASHER 5		1				
069	266780-0	HEX.SOCKET HEAD SHOULDER BOLT		1				
070	188598-8	BATTERY CASE SET		1				
D10		INC. 73						
071	643817-4	TERMINAL		1				
072	424152-7	RUBBER RING 40		2				
073	188598-8	BATTERY CASE SET		1				
D10		INC. 70						
074	345749-8	SET PLATE		4				
075	324953-2	HOOK		1				
076	318338-2	HOOK HOLDER		1				
077	252185-0	SQUARE NUT M6		1				
078	450740-4	LEAD WIRE COVER		1				
079	234113-7	COMPRESSION SPRING 5		1				
080	638642-6	SWITCH UNIT		1				
081	450736-5	TRIGGER		1				
082	141610-5	SWITCH PLATE COMPLETE		1				
083	324974-4	CHAMBER LOCK BAR		1				
084	265995-6	TAPPING SCREW 4X18		2				
085	688131-1	LINE FILTER		1				
086	620160-8	LIGHT CIRCUIT		1				
087	620159-3	SPARK UNIT		1				
088	187560-0	HANDLE SET		1				
C10	898794-7	CAUTION LABEL		1				
D10		INC. 65						
089	941102-2	FLAT WASHER 5		1				

