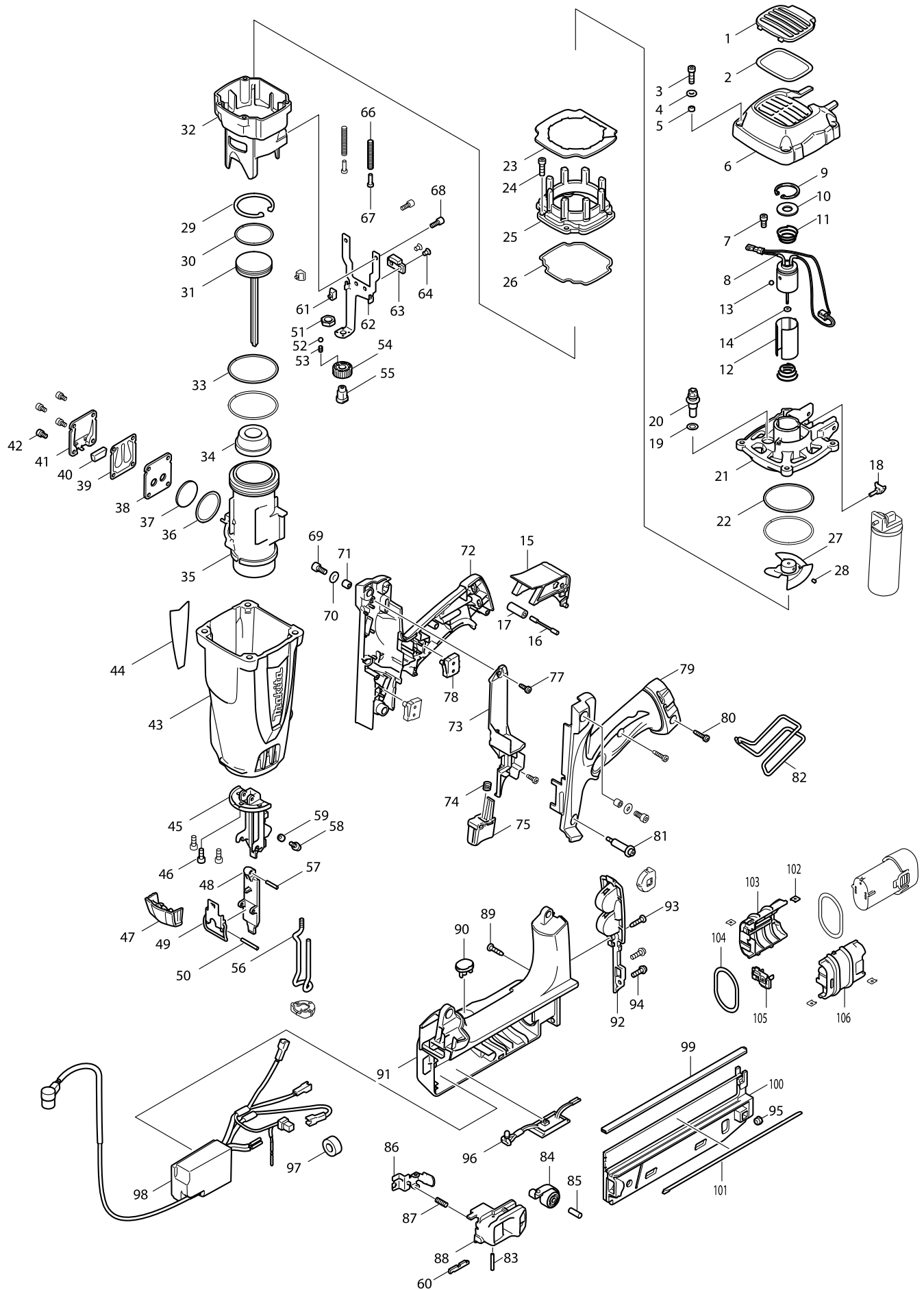


Model No. GF600 CORDLESS BRAD NAILER



Model No. GF600 CORDLESS BRAD NAILER

Item	Parts No.	Description	I/C	Qty	N/O	Opt. 1	Opt. 2	Note
001	452900-4	FILTER COVER		1				
002	162327-7	FILTER		1				
003	922127-5	HEX. SOCKET HEAD BOLT M4X16		4				
004	941051-3	FLAT WASHER 4		4				
005	257754-2	SLEEVE 4		4				
006	452899-3	TOP CAP		1				
007	266273-7	HEX. SOCKET HEAD BOLT M4X12		1				
008	629925-5	DC MOTOR		1				
009	962103-7	RETAINING RING R-24		1				
010	253024-7	FLAT WASHER 10		1				
011	233969-5	C COMPRESSION SPRING 12-18		2				
012	454002-2	MOTOR SLEEVE		1				
013	216019-1	STEEL BALL 3		1				
014	261141-9	EPOXY WASHER 2		1				
015	452904-6	ACTUATOR		1				
016	324976-0	SHOULDER PIN 4		1				
017	422044-4	RUBBER SLEEVE 9		1				
018	454003-0	STEM ADAPTER		1				
019	213026-5	O RING 7		1				
020	162326-9	SPARK PLUG		1				
021	318761-1	CYLINDER HEAD		1				
022	326081-9	CYLINDER RING 54		2				
023	423421-3	CHAMBER RUBBER PLATE		1				
024	922127-5	HEX. SOCKET HEAD BOLT M4X16		4				
025	318760-3	CHAMBER TOP		1				
026	424441-0	CHAMBER SEAL RING		1				
027	240129-2	FAN 52		1				
028	913904-6	SET SCREW (CUP POINT) M3X4		1				
029	962157-4	RETAINING RING R-40		1				
030	326080-1	PISTON RING 39		1				
031	141006-0	DRIVER COMPLETE		1				
032	318759-8	CHAMBER		1				
033	326081-9	CYLINDER RING 54		2				
034	424440-2	FRONT CUSHION		1				
035	318758-0	CYLINDER		1				
036	213492-6	O-RING 32		1				
037	352014-8	EXHAUST FILTER		1				
038	346481-7	EXHAUST PLATE		1				
039	346480-9	EXHAUST VALVE		1				
040	352015-6	SILENCER		1				
041	346482-5	EXHAUST COVER		1				
042	922106-3	HEX. SOCKET HEAD BOLT M4X8		4				
043	141209-6	HOUSING COMPLETE		1				
C10	893032-2	CAUTION LABEL		1				
044	896549-4	GF600 NAME PLATE		1				
045	310487-1	DRIVER GUIDE		1				
046	266797-3	HEX. SOCKET HEAD BOLT M4X12		3				
047	452902-0	LATCH COVER		1				

Model No. GF600 CORDLESS BRAD NAILER

Item	Parts No.	Description	I/C	Qty	N/O	Opt. 1	Opt. 2	Note
048	310488-9	DOOR		1				
049	163526-4	LATCH		1				
050	951072-7	SPRING PIN 3-24		1				
051	931403-6	HEX. NUT M8		1				
052	216019-1	STEEL BALL 3		1				
053	233491-2	COMPRESSION SPRING 2		1				
054	452909-6	ADJUSTER DIAL		1				
055	326076-2	ADJUSTER SHAFT		1				
056	326079-6	CONTACT TOP		1				
057	256104-8	PIN 3		1				
058	266273-7	HEX. SOCKET HEAD BOLT M4X12		1				
059	257754-2	SLEEVE 4		1				
060	346486-7	STOPPER		1				
061	424442-8	STOP RUBBER		2				
062	346483-3	ARM		1				
063	310507-1	ARM STOPPER		1				
064	266563-8	H.S. C.S. HEAD SCREW M4X6		2				
066	234219-1	COMPRESSION SPRING 5		2				
067	452905-4	SPRING BUSH		2				
068	922112-8	HEX. SOCKET HEAD BOLT M4X10		2				
069	922212-4	HEX. SOCKET HEAD BOLT M5X12		2				
070	941102-2	FLAT WASHER 5		2				
071	257539-6	SLEEVE 5		2				
072	187435-3	HANDLE SET		1				
D10		INC. 79						
073	452907-0	WIRE COVER		1				
074	231307-5	COMPRESSION SPRING 6		1				
075	452903-8	TRIGGER		1				
077	266020-6	TAPPING SCREW 4X12		2				
078	638642-6	SWITCH UNIT		2				
079	187435-3	HANDLE SET		1				
D10		INC. 72						
080	265995-6	TAPPING SCREW 4X18		2				
081	266694-3	SHOULDER H.SOCKET HEAD BOLT M		1				
082	326077-0	HOOK		1				
083	256221-4	PIN 3		1				
084	141005-2	SPIRAL SPRING COMPLETE		1				
085	268225-4	PIN 5		1				
086	346485-9	PUSHER		1				
087	233285-5	COMPRESSION SPRING 4		1				
088	452901-2	PUSHER LEVER		1				
089	265995-6	TAPPING SCREW 4X18		1				
090	141004-4	SWITCH PLATE COMPLETE		1				
091	141003-6	MAGAZINE COVER COMPLETE		1				
C10	893826-5	CAUTION LABEL		1				
092	452898-5	MAGAZINE END		1				
093	265995-6	TAPPING SCREW 4X18		1				
094	915121-4	BINDING HEAD SCREW M4X14		2				

