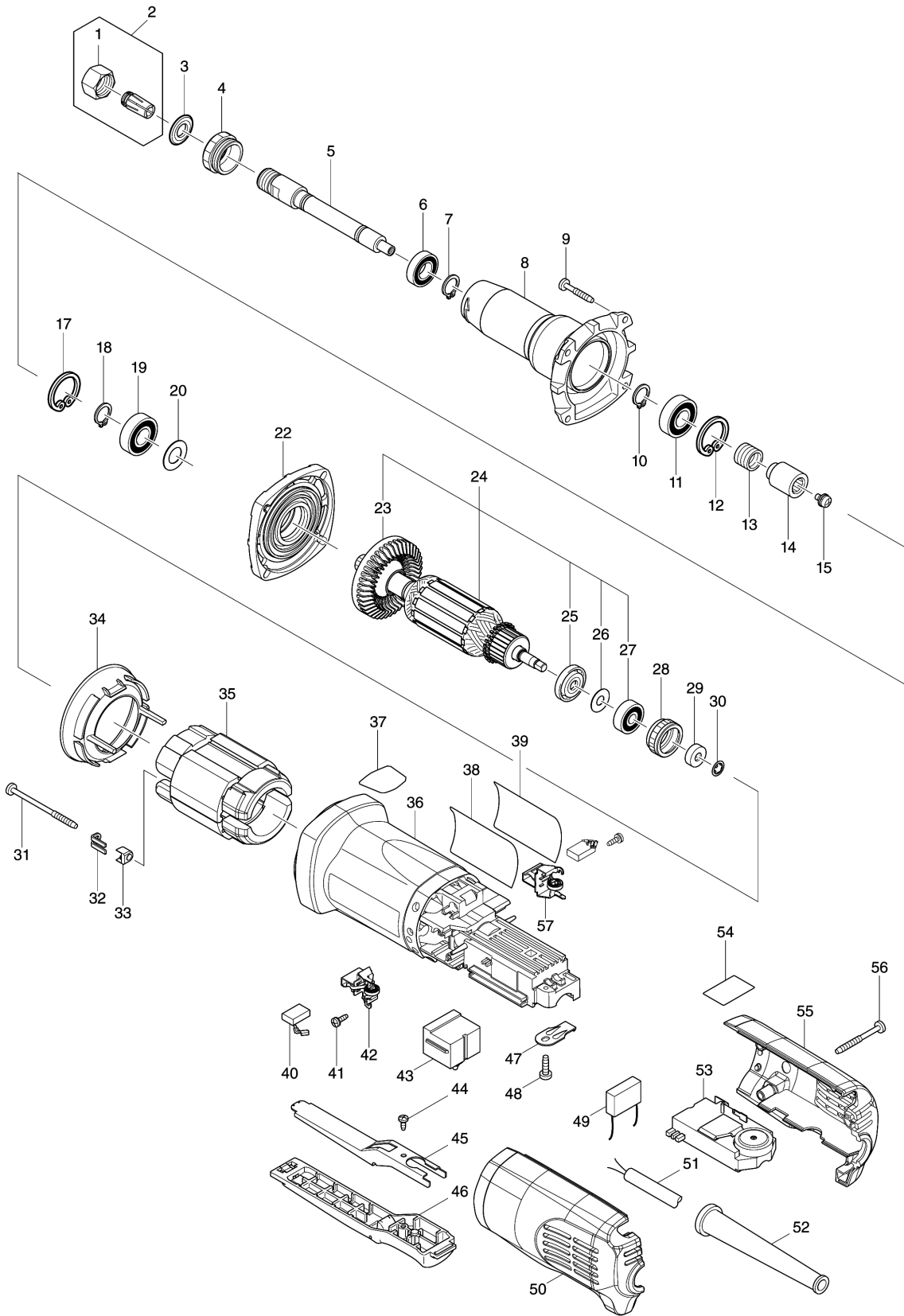


Model No.GD0801C DIE GRINDER



Model No.GD0801C DIE GRINDER

Item	Parts No.	Description	I/C	Qty	New/Old	Opt. 1	Opt. 2	Note
001	763645-2	COLLET NUT		1				
002	763646-0	COLLET CONE 6		1	*			
002-1	193012-1	COLLET CONE 6 SET	<	1				
C10	763646-0	COLLET CONE 6		1				
D10		INC. 1						
003	213209-7	OIL SEAL 16		1				
004	285700-5	BEARING RETAINER		1				
005	324042-3	SPINDLE		1				
006	211141-9	BALL BEARING 6901LLB		1				
007	961052-5	RETAINING RING S-12		1				
008	317368-0	BARREL		1				
009	265999-8	TAPPING SCREW 4X25		4				
010	961052-5	RETAINING RING S-12		1				
011	211148-5	BALL BEARING 6001ZZ		1				
012	962106-1	RETAINING RING R-28		1				
013	233901-9	LOCK SPRING 12		1				
014	323989-8	COUPLING		1				
015	265082-1	PAN HEAD SCREW M4X8		1				
017	962106-1	RETAINING RING R-28		1				
018	961052-5	RETAINING RING S-12		1				
019	211148-5	BALL BEARING 6001ZZ		1				
020	253084-9	FLAT WASHER 12		1				
022	317367-2	BEARING BOX		1				
023	240036-9	FAN 57		1				
024	515409-8	ARMATURE ASS'Y 240V		1	*			
D10		INC. 23,25-27			*			
024-1	510306-3	ARMATURE ASS'Y 240V	<	1				
D10		INC. 23,25-27						
025	681656-4	INSULATION WASHER		1				
026	253823-7	FLAT WASHER 7		1				
027	210023-2	BALL BEARING 627DDW		1	*			
027-1	210045-2	BALL BEARING 627DDW	<	1				
028	421770-2	LABYRINTH RUBBER RING 22		1				
029	688117-5	MAGNET SLEEVE		1				
030	259039-2	SELF LOCK 6		1				
031	266259-1	TAPPING SCREW 4X60		2				
032	344871-8	RETAINER		2				
033	417237-6	INSULATION COVER		2				
034	455367-5	BAFFLE PLATE		1				
035	626669-8	FIELD 240V		1				
036	455358-6	MOTOR HOUSING		1				
037	813900-3	SJS MARK LABEL		1				

Please order the parts with part number.

Print Date 30/3/2020

Model No.GD0801C DIE GRINDER

Item	Parts No.	Description	I/C	Qty	New/Old	Opt. 1	Opt. 2	Note
038	850F20-8	GD0801C NAME PLATE		1				
039	819356-8	CLEAR LABEL		1				
040	191978-9	A.C. CARBON BRUSH CB-318		1				
041	266256-7	TAPPING SCREW PT3X10		4				
042	643760-7	BRUSH HOLDER		1				
043	650579-7	SWITCH 1246.3223		1				
044	265954-0	TAPPING SCREW BIND PT3X8		1				
045	345504-8	PLATE		1				
046	154584-1	SWITCH LEVER B COMPLETE		1				
047	687169-3	STRAIN RELIEF		1				
048	266385-6	TAPPING SCREW 4X14		1				
049	645089-7	NOISE SUPPRESSOR		1				
050	188365-1	REAR COVER SET		1				
D10		INC. 55						
051	665394-6	POWER SUPPLY CORD 1.0-2-2.5		1				
052	682559-5	CORD GUARD 8		1				
053	620340-6	CONTROLLER		1				
054	804Y15-7	INDICATION LABEL		1				
055	188365-1	REAR COVER SET		1				
D10		INC. 50						
056	266048-4	TAPPING SCREW 4X40		3				
057	643771-2	BRUSH HOLDER		1				
A01	192985-5	SIDE HANDLE SET		1				
C10	153503-4	GRIP 36 COMPLETE		1				
C20	415485-1	GRIP BASE		1				
C30	921919-9	HEX. BOLT M8X110		1				
A02	781203-2	WRENCH 13		1				
A03	781206-6	WRENCH 19		1				

Please order the parts with part number.

Print Date 30/3/2020