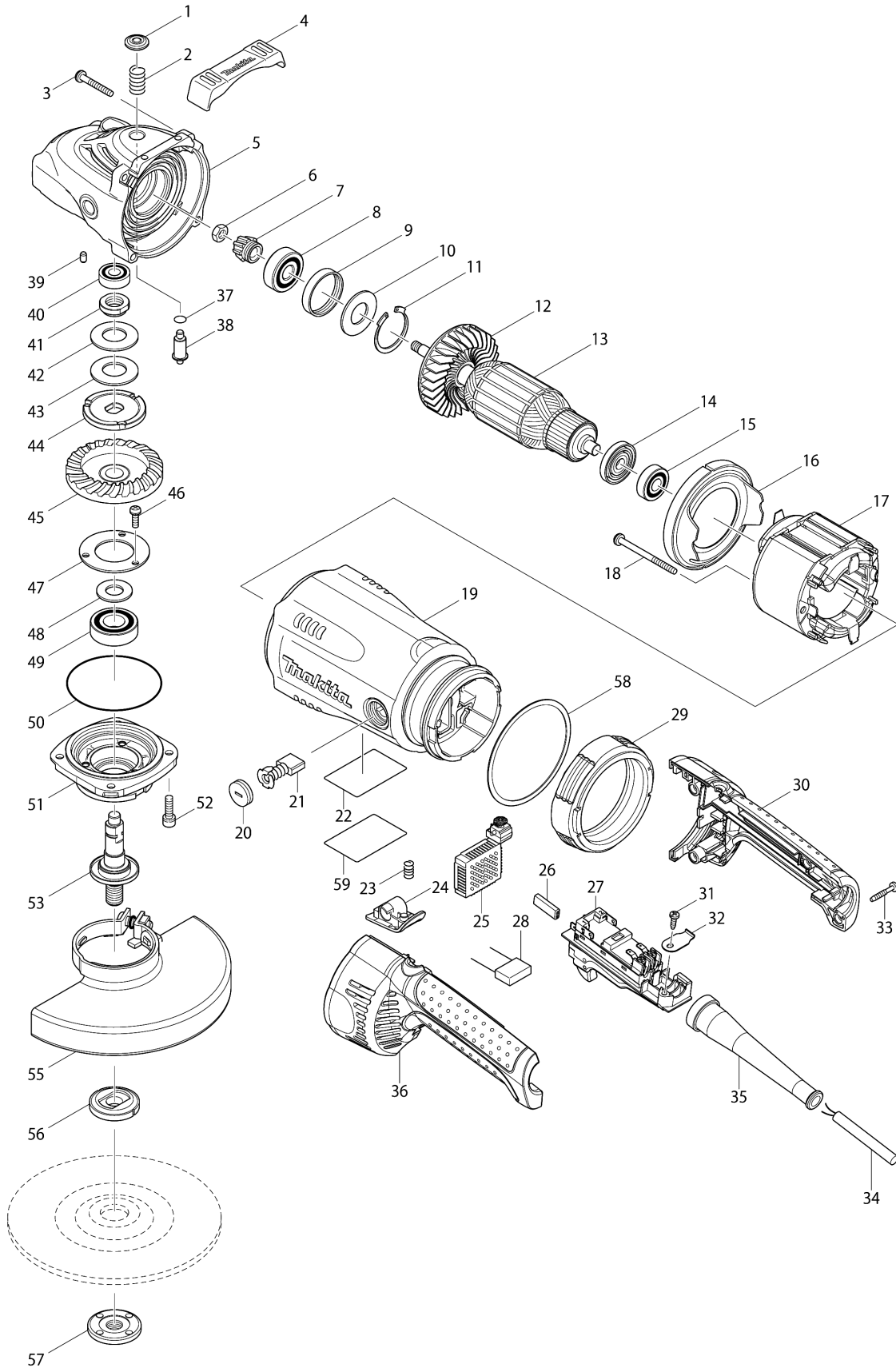


Model No.GA7030R 180MM ANGLE GRINDER



Model No.GA7030R 180MM ANGLE GRINDER

Item	Parts No.	Description	I/C	Qty	New/Old	Opt. 1	Opt. 2	Note
001	419133-4	PIN CAP		1				
002	233292-8	COMPRESSION SPRING 12		1				
003	266012-5	TAPPING SCREW 5X35		4				
004	419144-9	BUMPER		1				
005	154685-5	GEAR HOUSING COMPLETE		1	*			
C10	262118-7	FELT RING 18		1	*			
005-1	142754-4	GEAR HOUSING COMPLETE	<	1				
C10	262118-7	FELT RING 18		1				
006	252194-9	HEX. NUT M8		1				
007	227488-1	SPIRAL BEVEL GEAR 16		1				
008	211132-0	BALL BEARING 6301DDW		1				
009	262085-6	RUBBER RING 38		1				
010	267299-2	FLAT WASHER 20		1				
011	962211-4	RETAINING RING R-42		1				
012	240081-4	FAN 80		1				
013	517828-4	ARMATURE ASS'Y 220V		1				
D10		INC. 12,14,15						
014	681630-2	INSULATION WASHER		1				
015	211087-9	BALL BEARING 6200DDW		1				
016	419135-0	BAFFLE PLATE		1				
017	526218-0	FIELD ASSEMBLY 220-240V		1				
C10	654197-3	RING TERMINAL		2				
C20	654502-4	CONNECTOR P-2		2				
018	266029-8	TAPPING SCREW 5X65		2				
019	154786-9	MOTOR HOUSING COMPLETE		1				
C10	643712-8	BRUSH HOLDER		2				
020	643700-5	BRUSH HOLDER CAP 7-18		2				
021	191957-7	A.C. CARBON BRUSH CB-204		1				
022	867521-3	GA7030R NAME PLATE		1				
023	233375-4	COMPRESSION SPRING 7		1				
024	451630-4	LOCK BUTTON		1				
025	631946-5	CONTROLLER		1				
026	686036-9	RECEPTACLE SLEEVE		2				
027	650107-8	SWITCH TG08-2300-013		1				
028	645088-9	NOISE SUPPRESSOR		1				
029	421936-4	VIBRATION PROOF RUBBER		1				
030	188845-7	HANDLE SET		1				
C10	423350-0	SPONGE SHEET		1				
D10		INC. 36						
031	266192-7	TAPPING SCREW 4X14		1				
032	687169-3	STRAIN RELIEF		1				
033	265999-8	TAPPING SCREW 4X25		4				

Please order the parts with part number.

Print Date 8/9/2020

Model No.GA7030R 180MM ANGLE GRINDER

Item	Parts No.	Description	I/C	Qty	New/Old	Opt. 1	Opt. 2	Note
034	695107-1	POWER SUPPLY CORD 1.5-2-2.5		1				
035	682560-0	CORD GUARD 10		1				
036	188845-7	HANDLE SET		1				
C10	423350-0	SPONGE SHEET		1				
D10		INC. 30						
037	213062-1	O RING 9		1				
038	256491-5	SHOULDER PIN 5		1				
039	263002-9	RUBBER PIN 4		1				
040	211061-7	BALL BEARING 6000LLB		1				
041	252429-8	NUT M15-23		1				
042	232163-6	CUP SPRING 20		1				
043	232163-6	CUP SPRING 20		1				
044	267798-4	LOCK WASHER		1				
045	227493-8	SPIRAL BEVEL GEAR 53D		1				
046	265120-9	PAN HEAD SCREW M5X16		3				
047	285724-1	BEARING RETAINER 50		1				
048	267167-9	FLAT WASHER 15		1				
049	211278-2	BALL BEARING 6203DDW		1				
050	213760-7	O RING 78		1				
051	318377-2	BEARING BOX		1				
052	265541-5	HEX. SOCKET HEAD BOLT M6X22		4				
053	154777-0	SPINDLE COMPLETE		1				
C10	345629-8	LABYRINTH RING 25		1				
055	122889-7	WHEEL COVER 180K ASSEMBLY		1				
C10	213017-6	O RING 6		1				
C20	265198-2	+PAN HEAD SCREW M8X25		1				
056A	224415-9	INNER FLANGE 42		1				
056B	122444-5	INNER FLANGE 47 ASS'Y		1				
057	224543-0	LOCK NUT 14-45		1				
058	261131-2	NYLON WASHER 89		1				
059	819357-6	CLEAR LABEL		1	*			
059-1	804Y42-4	CLEAR LABEL	<	1	*			
A01	162264-5	VIBRATION PROOF GRIP		1				
A02	782407-9	LOCK NUT WRENCH 35		1	*			
A02-1	197610-3	LOCK NUT WRENCH 35 SET	O	1				

Please order the parts with part number.

Print Date 8/9/2020