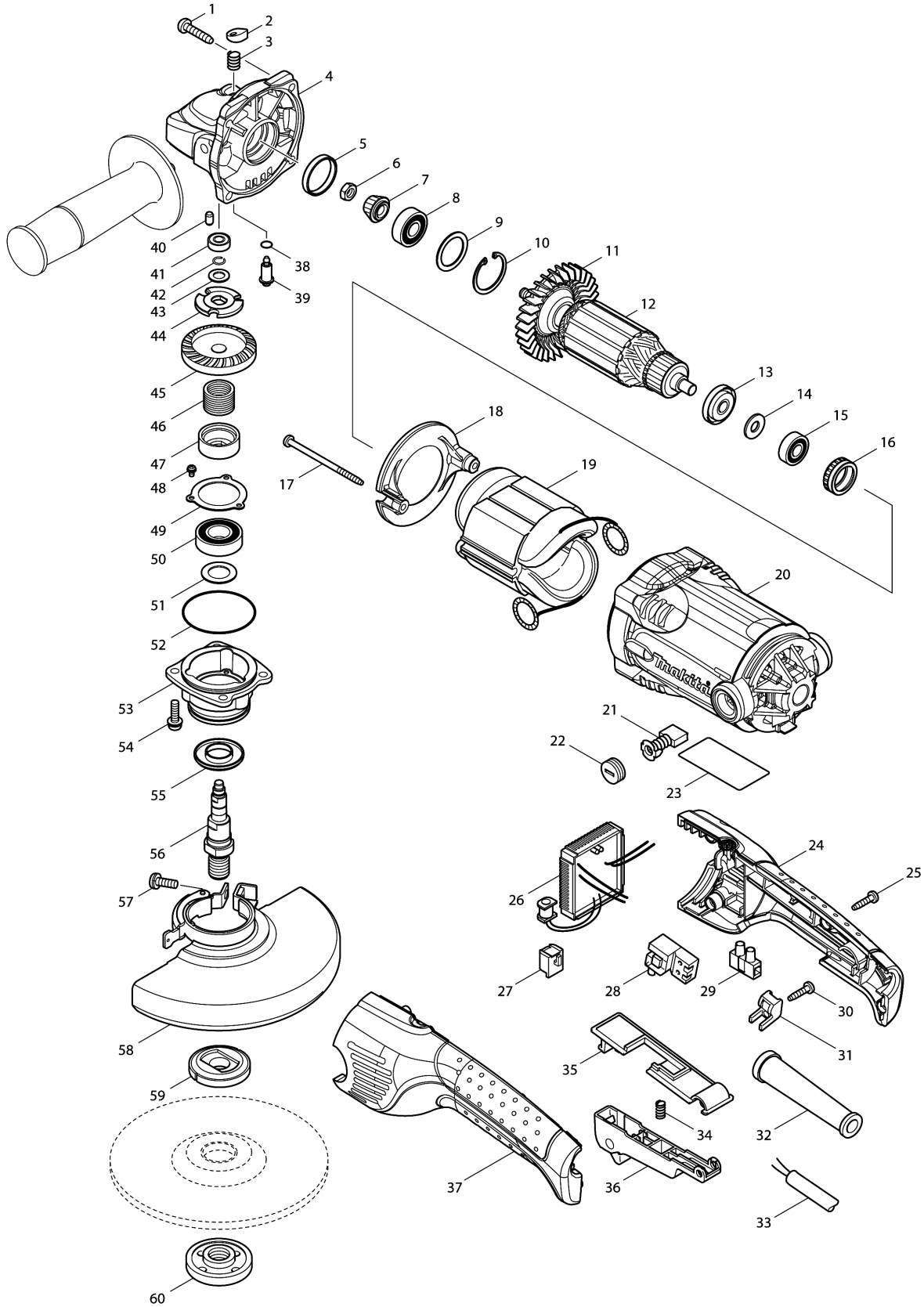


Model No.GA6021C ANGLE GRINDER 150MM



Model No.GA6021C ANGLE GRINDER 150MM

Item	Parts No.	Description	I/C	Qty	New/Old	Opt. 1	Opt. 2	Note
001	266041-8	TAPPING SCREW 5X25		4	*			
001-1	266459-3	TAPPING SCREW 5X25	O	4				
002	417771-6	PIN CAP		1				
003	234057-1	COMPRESSION SPRING 8		1				
004	318158-4	GEAR HOUSING		1				
005	424051-3	RUBBER RING 26		1				
006	264010-3	HEX.NUT M7		1				
007	227529-3	SPIRAL BEVEL GEAR 11A		1				
008A	211088-7	BALL BEARING 6000DDW		1	*			
008B	211088-7	BALL BEARING 6000DDW		1	*			
008-1A	210059-1	BALL BEARING 6000DDW	<	1				
008-1B	210059-1	BALL BEARING 6000DDW	<	1				
008-1C	210059-1	BALL BEARING 6000DDW		1				
009	267352-4	FLAT WASHER 22		1				
010	962107-9	RETAINING RING (INT) R-30		1				
011	240094-5	FAN 70		1				
012A	513729-4	ARMATURE ASS'Y 240V		1	*			
D10		INC. 11,13-15			*			
012B	513729-4	ARMATURE ASS'Y 240V		1	*			
D10		INC. 11,13-15			*			
012-1A	513799-3	ARMATURE ASS'Y 240V	S	1				
D10		INC. 11,13-15						
012-1B	513799-3	ARMATURE ASS'Y 240V	S	1				
D10		INC. 11,13-15						
012-1C	513799-3	ARMATURE ASS'Y 240V		1				
D10		INC. 11,13-15						
013	681660-3	INSULATION WASHER		1				
014	267281-1	FLAT WASHER 8		1				
015	210005-4	BALL BEARING 608DDW		1				
016	421720-7	RUBBER RING 22		1				
017	266325-4	TAPPING SCREW 4X70		2				
018	419961-7	BAFFLE PLATE		1				
019	525784-4	FIELD ASS'Y 240V		1				
C10	654020-2	RING TERMINAL		2				
C20	654555-3	CONNECTOR 34130		2				
020	158398-0	MOTOR HOUSING COMPLETE		1				
C10	643751-8	BRUSH HOLDER		2				
021	194547-5	CARBON BRUSH CB-253		1				
022	643750-0	BRUSH HOLDER CAP 7-11		2				
023A	864964-0	NAME PLATE GA6021C		1				
023B	864964-0	NAME PLATE GA6021C		1				
023C	864964-0	NAME PLATE GA6021C		1				

Please order the parts with part number.

Print Date 30/3/2020

Model No.GA6021C ANGLE GRINDER 150MM

Item	Parts No.	Description	I/C	Qty	New/Old	Opt. 1	Opt. 2	Note
024	188452-6	HANDLE SET		1				
D10		INC. 37						
025	266326-2	TAPPING SCREW 4X18		4				
026	631799-2	CONTROLLER		1				
027	418518-1	SLEEVE		1				
028	651922-3	SWITCH TG71B		1	*			
028-1	650677-7	SWITCH C3PA-1112	<	1	*			
028-2	651922-3	SWITCH TG71B	<	1				
029	654575-7	TERMINAL BLOCK		1				
030	266326-2	TAPPING SCREW 4X18		1				
031	687260-7	STRAIN RELIEF		1				
032	682505-8	CORD GUARD 10-90		1				
033	665865-3	POWER SUPPLY CORD 1.0-2-2.5		1				
034	233117-6	COMPRESSION SPRING 6		1				
035	418519-9	SWITCH BASE		1				
036	158401-7	SWITCH LEVER A COMPLETE		1				
037	188452-6	HANDLE SET		1				
D10		INC. 24						
038	213977-2	O RING 7		1				
039	256505-0	SHOULDER PIN 5		1				
040	263002-9	RUBBER PIN 4		1				
041	210006-2	BALL BEARING 696ZZ		1				
042	233926-3	RING SPRING 7		1				
043	253835-0	FLAT WASHER 8		1				
044	267811-8	LOCK WASHER		1				
045	227530-8	SPIRAL BEVEL GEAR 38		1				
046	233957-2	LOCK SPRING 16		1	*			
046-1	234356-1	LOCK SPRING 16	<	1				
047	324833-2	LOCK SLEEVE		1				
048	911003-8	PAN HEAD SCREW M3X6		3				
049	285728-3	BEARING RETAINER 39		1				
050	211236-8	BALL BEARING 6002DDW		1				
051	253853-8	FLAT WASHER 15		1				
052	213624-5	O RING 48		1				
053A	318160-7	BEARING BOX		1	*			
053B	318160-7	BEARING BOX		1	*			
053-1A	318299-6	BEARING BOX	<	1	*			
053-1B	318299-6	BEARING BOX	<	1	*			
053-2A	318332-4	BEARING BOX	S	1				
053-2B	318332-4	BEARING BOX	S	1				
053-2C	318332-4	BEARING BOX		1				
054	265131-4	PAN HEAD SCREW M5X18		4				

Please order the parts with part number.

Print Date 30/3/2020

Model No.GA6021C ANGLE GRINDER 150MM

Item	Parts No.	Description	I/C	Qty	New/Old	Opt. 1	Opt. 2	Note
055	345464-4	LABYRINTH RING		1				
056	324789-9	SPINDLE		1				
057A	251391-4	PAN HEAD SCREW M5X16		1	*			
057B	251391-4	PAN HEAD SCREW M5X16		1	*			
057-1A	265180-1	PAN HEAD SCREW M5X16	<	1				
057-1B	265180-1	PAN HEAD SCREW M5X16	<	1				
057-1C	265180-1	PAN HEAD SCREW M5X16		1				
058A	135110-5	TOOLLESS WHEEL COVER 150 ASS'Y		1	*			
D10		INC. 57			*			
058B	135110-5	TOOLLESS WHEEL COVER 150 ASS'Y		1	*			
D10		INC. 57			*			
058-1A	135243-6	TOOLLESS WHEEL COVER 150 ASS'Y	S	1	*			
D10		INC. 57			*			
058-1B	135243-6	TOOLLESS WHEEL COVER 150 ASS'Y	S	1	*			
D10		INC. 57			*			
058-2A	122896-0	TOOLLESS WHEELCOVER 150K ASS'Y	<	1	*			
C10	213009-5	O RING 4		1	*			
D10		INC. 57			*			
058-2B	122896-0	TOOLLESS WHEELCOVER 150K ASS'Y	<	1	*			
C10	213009-5	O RING 4		1	*			
D10		INC. 57			*			
058-2C	122896-0	TOOLLESS WHEELCOVER 150K ASS'Y		1	*			
C10	213009-5	O RING 4		1	*			
D10		INC. 57			*			
058-3	123146-6	TOOLLESS WHEELCOVER 150AK ASSY	<	1				
C10	213009-5	O RING 4		1				
D10		INC. 57						
059A	224415-9	INNER FLANGE 42		1				
059B	224415-9	INNER FLANGE 42		1				
059C	122444-5	INNER FLANGE 47 ASS'Y		1				
060	224554-5	LOCK NUT 14-45		1				
061	253828-7	FLAT WASHER 10		1				
062	819282-1	CLEAR LABEL		1				
A01A	153504-2	GRIP 36 COMPLETE		1				
A01B	162258-0	VIBRATION PROOF GRIP		1				
A01C	162258-0	VIBRATION PROOF GRIP		1				
A02	782423-1	LOCK NUT WRENCH 35		1				
A03B	806182-4	UPC/MODEL GA6021C01 230-240V		1				

Model No.GA6021C ANGLE GRINDER 150MM

Item	Parts No.	Description	I/C	Qty	New/Old	Opt. 1	Opt. 2	Note
A03C	806776-5	UPC/MODEL LABEL GA6021CF01		1				

Please order the parts with part number.

Print Date 30/3/2020