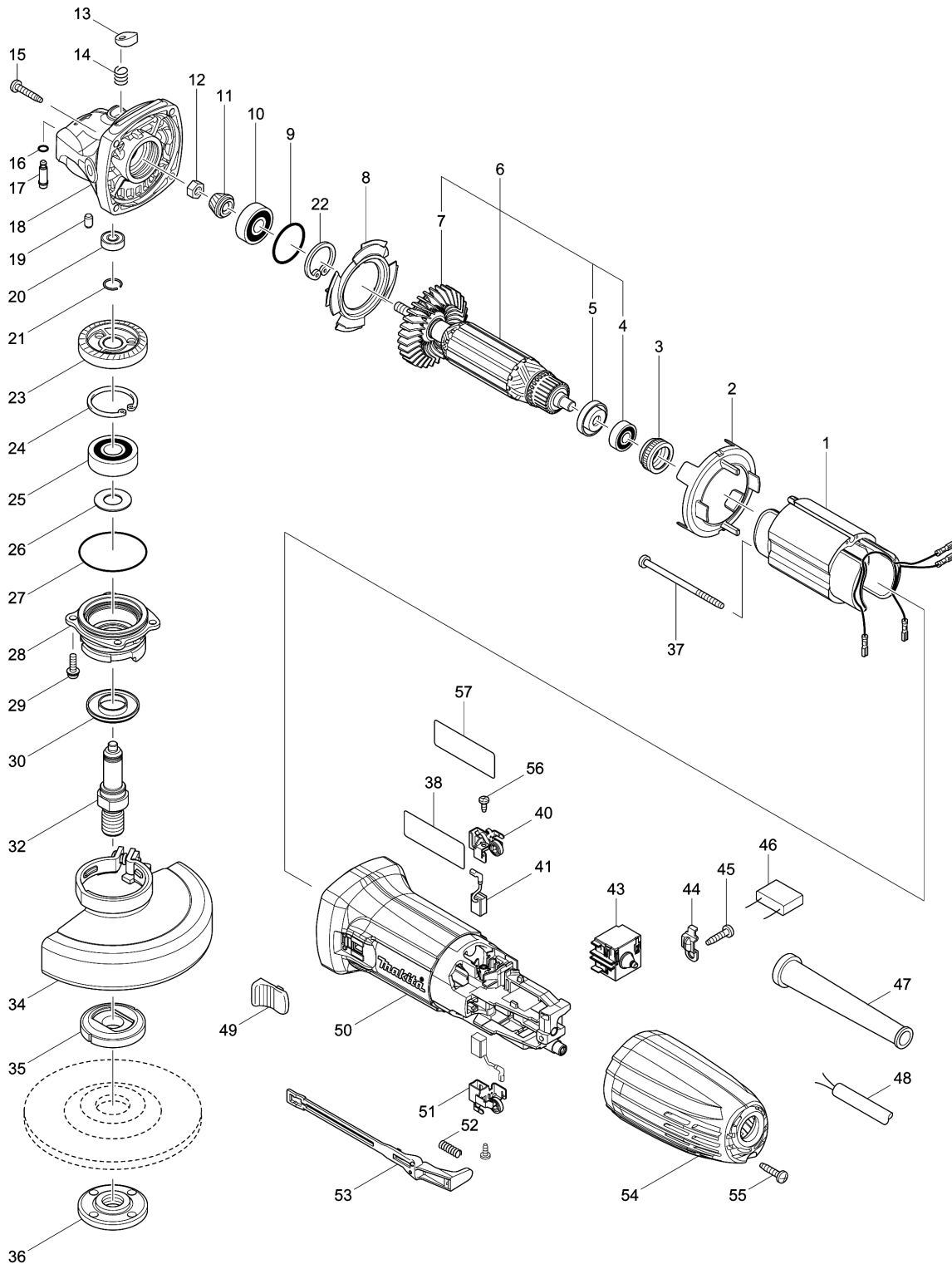


Model No.GA4530R 115MM ANGLE GRINDER



Model No.GA4530R 115MM ANGLE GRINDER

| Item | Parts No. | Description | I/C | Qty | New/Old | Opt. 1 | Opt. 2 | Note |
|-------|-----------|--------------------------|-----|-----|---------|--------|--------|------|
| 001 | 633903-9 | FIELD 220-240V | | 1 | | | | |
| 002 | 450796-7 | BAFFLE PLATE | | 1 | | | | |
| 003 | 421868-5 | LABYRINTH RUBBER RING 19 | | 1 | | | | |
| 004 | 210034-7 | BALL BEARING 607LLB | | 1 | | | | |
| 005 | 681636-0 | INSULATION WASHER | | 1 | | | | |
| 006 | 517649-4 | ARMATURE ASS'Y 240V | | 1 | | | | |
| D10 | | INC. 4,5,7 | | | | | | |
| 007 | 240139-9 | FAN 56 | | 1 | | | | |
| 008 | 413126-3 | GUIDE PLATE | | 1 | | | | |
| 009 | 213445-5 | O-RING 26 | | 1 | * | | | |
| 009-1 | 213407-3 | O RING 26 | O | 1 | | | | |
| 010 | 211092-6 | BALL BEARING 629DDW | | 1 | | | | |
| 011 | 227545-5 | SPIRAL BEVEL GEAR 10 | | 1 | | | | |
| 012 | 252186-8 | HEX. NUT M6 | | 1 | | | | |
| 013 | 417771-6 | PIN CAP | | 1 | | | | |
| 014 | 234057-1 | COMPRESSION SPRING 8 | | 1 | | | | |
| 015 | 266324-6 | TAPPING SCREW 4X22 | | 4 | * | | | |
| 015-1 | 265B46-7 | TAPPING SCREW 4X22 | O | 4 | | | | |
| 016 | 213032-0 | O RING 4 | | 1 | | | | |
| 017 | 256510-7 | SHOULDER PIN 4 | | 1 | | | | |
| 018 | 318335-8 | GEAR HOUSING | | 1 | | | | |
| 019 | 263002-9 | RUBBER PIN 4 | | 1 | | | | |
| 020 | 210033-9 | BALL BEARING 696ZZ | | 1 | | | | |
| 021 | 233950-6 | RING SPRING 11 | | 1 | | | | |
| 022 | 962105-3 | RETAINING RING R-26 | | 1 | | | | |
| 023 | 227546-3 | SPIRAL BEVEL GEAR 37 | | 1 | | | | |
| 024 | 962151-6 | RETAINING RING R-32 | | 1 | | | | |
| 025 | 211129-9 | BALL BEARING 6201DDW | | 1 | | | | |
| 026 | 267113-2 | FLAT WASHER 12 | | 1 | | | | |
| 027 | 213561-3 | O RING 42 | | 1 | | | | |
| 028 | 318336-6 | BEARING BOX | | 1 | | | | |
| 029 | 265099-4 | PAN HEAD SCREW M4X14 | | 4 | | | | |
| 030 | 345464-4 | LABYRINTH RING | | 1 | | | | |
| 032 | 324954-0 | SPINDLE | | 1 | | | | |
| 034 | 123098-1 | WHEEL COVER 115AK ASS'Y | | 1 | | | | |
| C10 | 213009-5 | O RING 4 | | 1 | | | | |
| C20 | 265180-1 | PAN HEAD SCREW M5X16 | | 1 | | | | |
| 035 | 224415-9 | INNER FLANGE 42 | | 1 | | | | |
| 036 | 224554-5 | LOCK NUT 14-45 | | 1 | | | | |
| 037 | 266325-4 | TAPPING SCREW 4X70 | | 2 | | | | |
| 038 | 851S91-6 | GA4530R NAME PLATE | | 1 | | | | |
| 040 | 643839-4 | BRUSH HOLDER 6X9 | | 1 | | | | |

Model No.GA4530R 115MM ANGLE GRINDER

| Item | Parts No. | Description | I/C | Qty | New/Old | Opt. 1 | Opt. 2 | Note |
|------|-----------|----------------------------------|-----|-----|---------|--------|--------|------|
| 041 | 194722-3 | CARBON BRUSH CB-459 | | 1 | | | | |
| 043 | 650769-2 | SWITCH | | 1 | | | | |
| 044 | 687681-3 | STRAIN RELIEF | | 1 | | | | |
| 045 | 266326-2 | TAPPING SCREW 4X18 | | 1 | | | | |
| 046 | 638739-1 | CAPACITOR UNIT | | 1 | | | | |
| 047 | 682559-5 | CORD GUARD 8 | | 1 | | | | |
| 048 | 665394-6 | POWER SUPPLY CORD 1.0-2-2.5 | | 1 | | | | |
| 049 | 418016-5 | SWITCH KNOB | | 1 | | | | |
| 050 | 456380-6 | MOTOR HOUSING | | 1 | | | | |
| 051 | 643839-4 | BRUSH HOLDER 6X9 | | 1 | | | | |
| 052 | 233121-5 | COMPRESSION SPRING 4 | | 1 | | | | |
| 053 | 450797-5 | SWITCH LEVER | | 1 | | | | |
| 054 | 456381-4 | REAR COVER | | 1 | | | | |
| 055 | 266326-2 | TAPPING SCREW 4X18 | | 1 | | | | |
| 056 | 266492-5 | TAPPING SCREW 3X8 | | 2 | | | | |
| 057 | 806E99-1 | CLEAR LABEL | | 1 | * | | | |
| A01 | 153489-2 | GRIP 36 COMPLETE | | 1 | | | | |
| A02 | 782423-1 | LOCK NUT WRENCH 35 | | 1 | | | | |
| A03 | A-80927 | GRINDING WHEEL 115X6X22(A36P) | | 1 | | | | |
| E01 | 808153-7 | SAFETY INSTRUCTION LABEL | | 1 | | | | |

Please order the parts with part number.

Print Date 30/3/2020