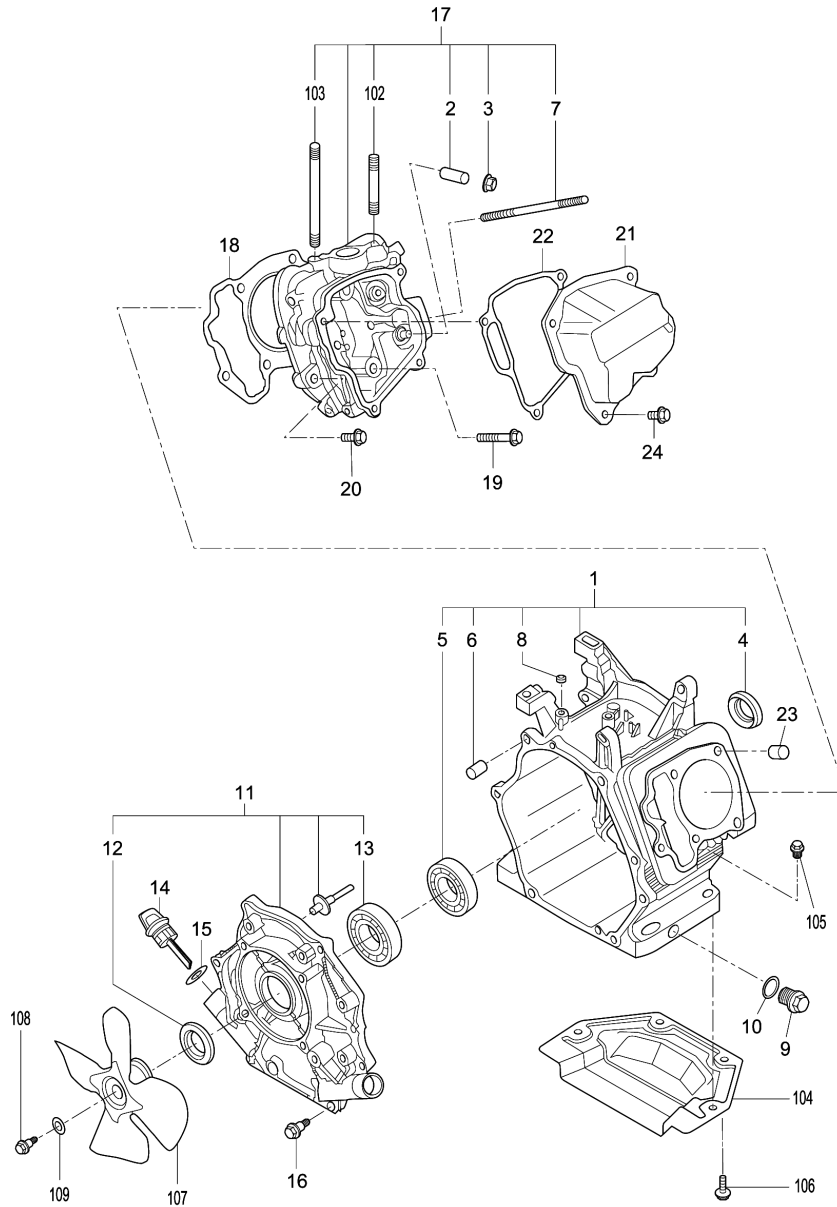
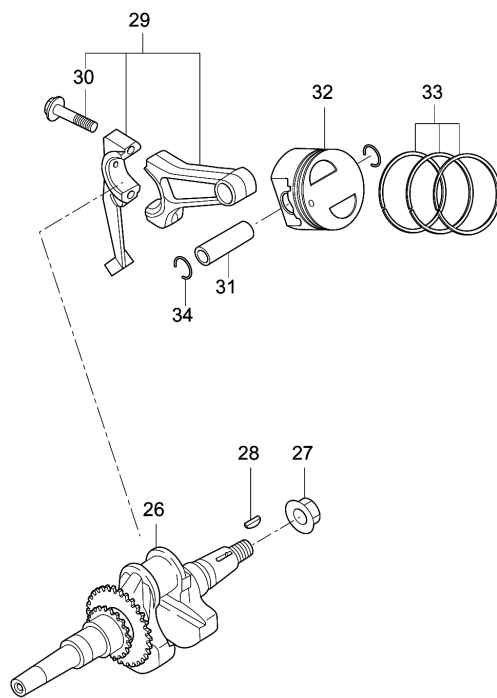


Model No.G4300IS GENERATOR

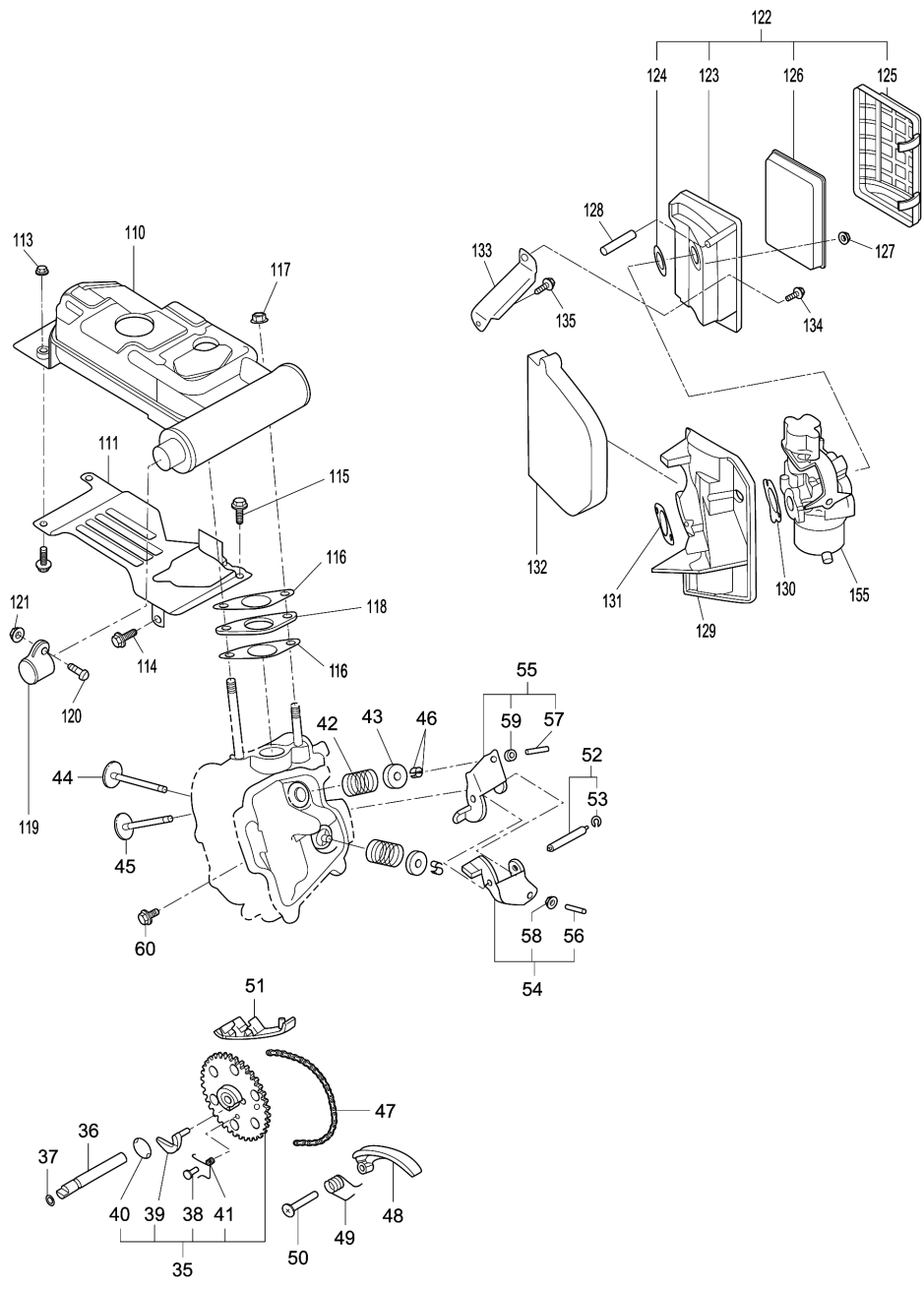


25 - GASKET SET
INC. 10,15,18,22,116,130,131

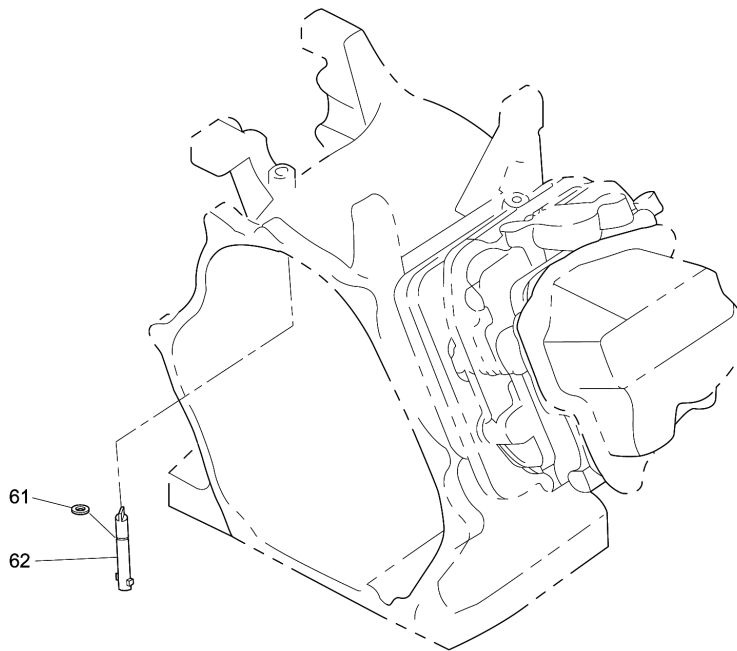
Model No.G4300IS GENERATOR



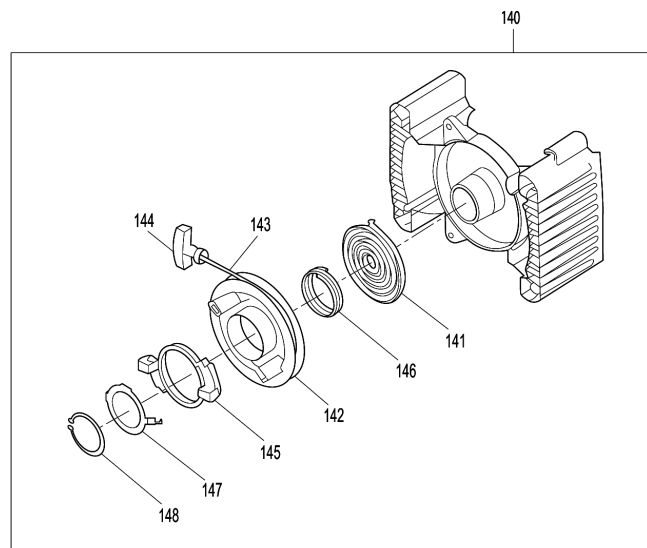
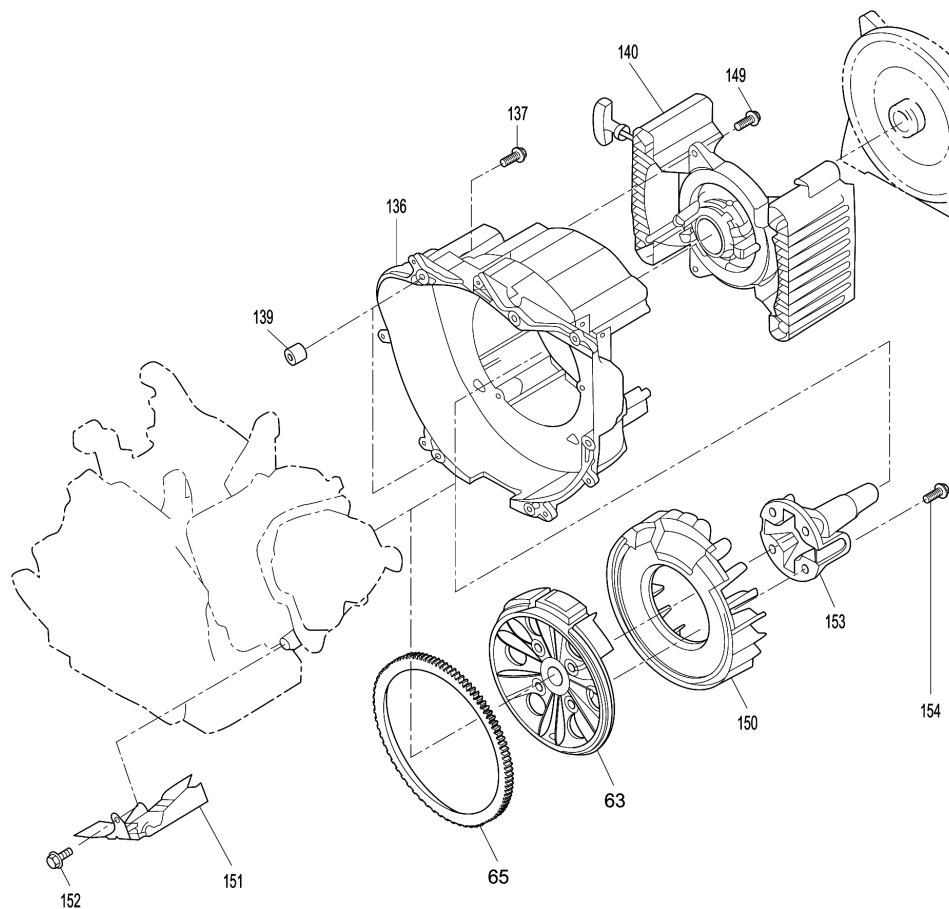
Model No.G4300IS GENERATOR



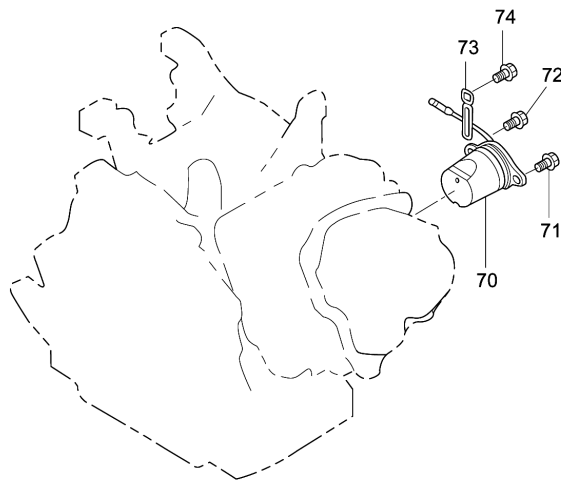
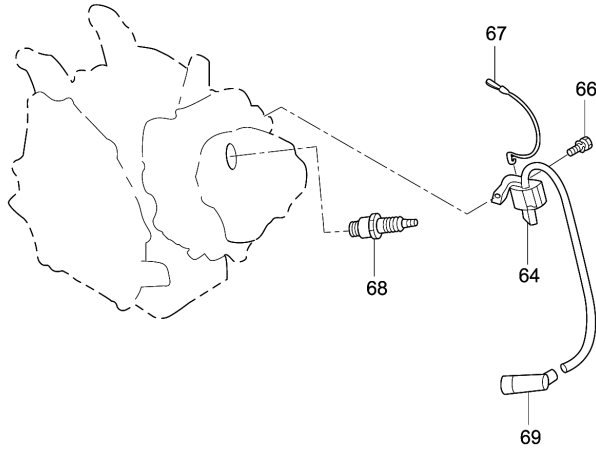
Model No.G4300IS GENERATOR



Model No.G4300IS GENERATOR

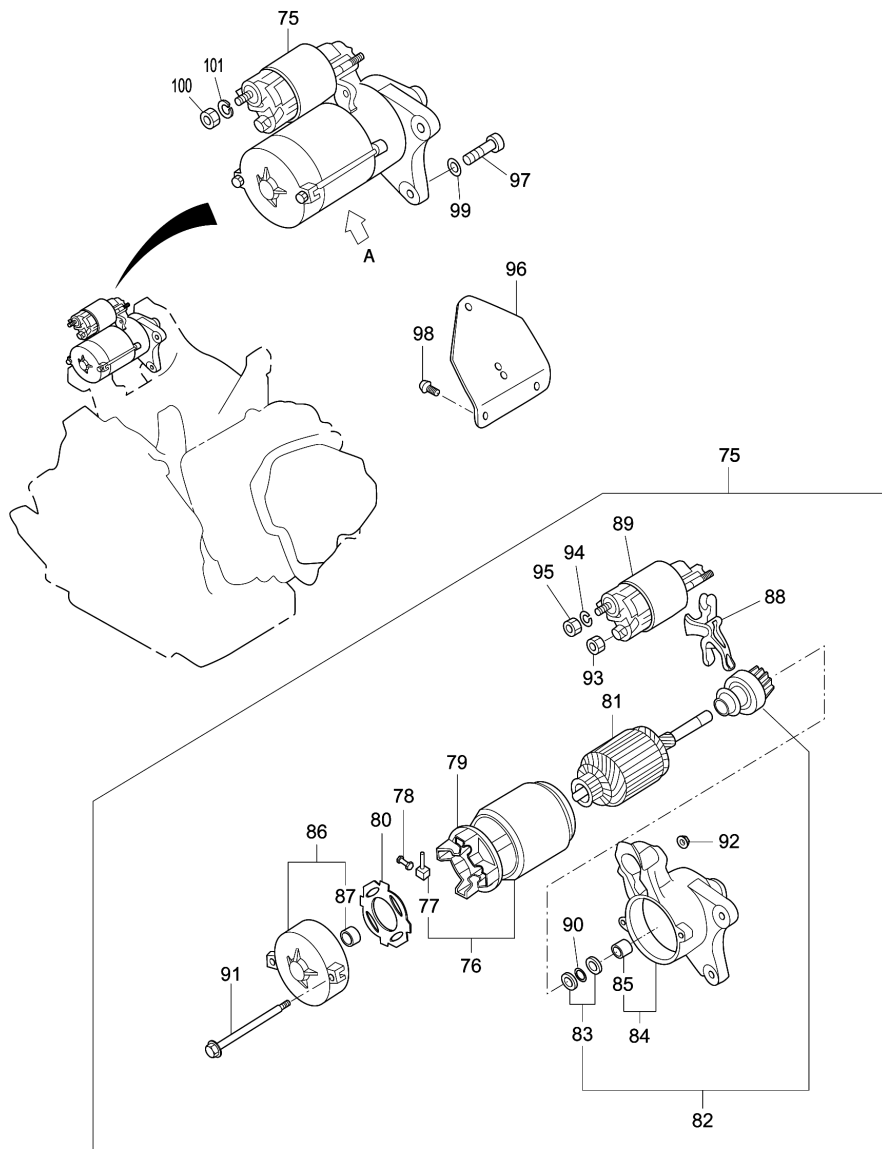


Model No.G4300IS GENERATOR

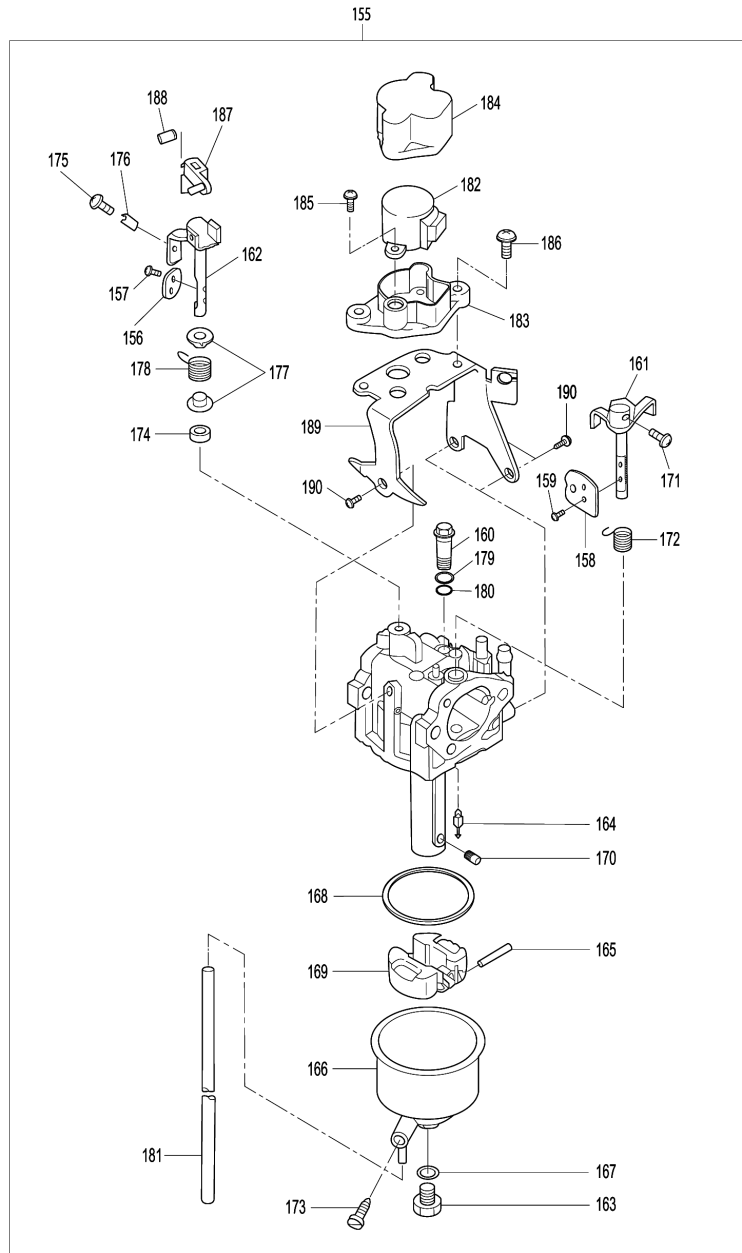


155 - CARBURETOR ASS'Y

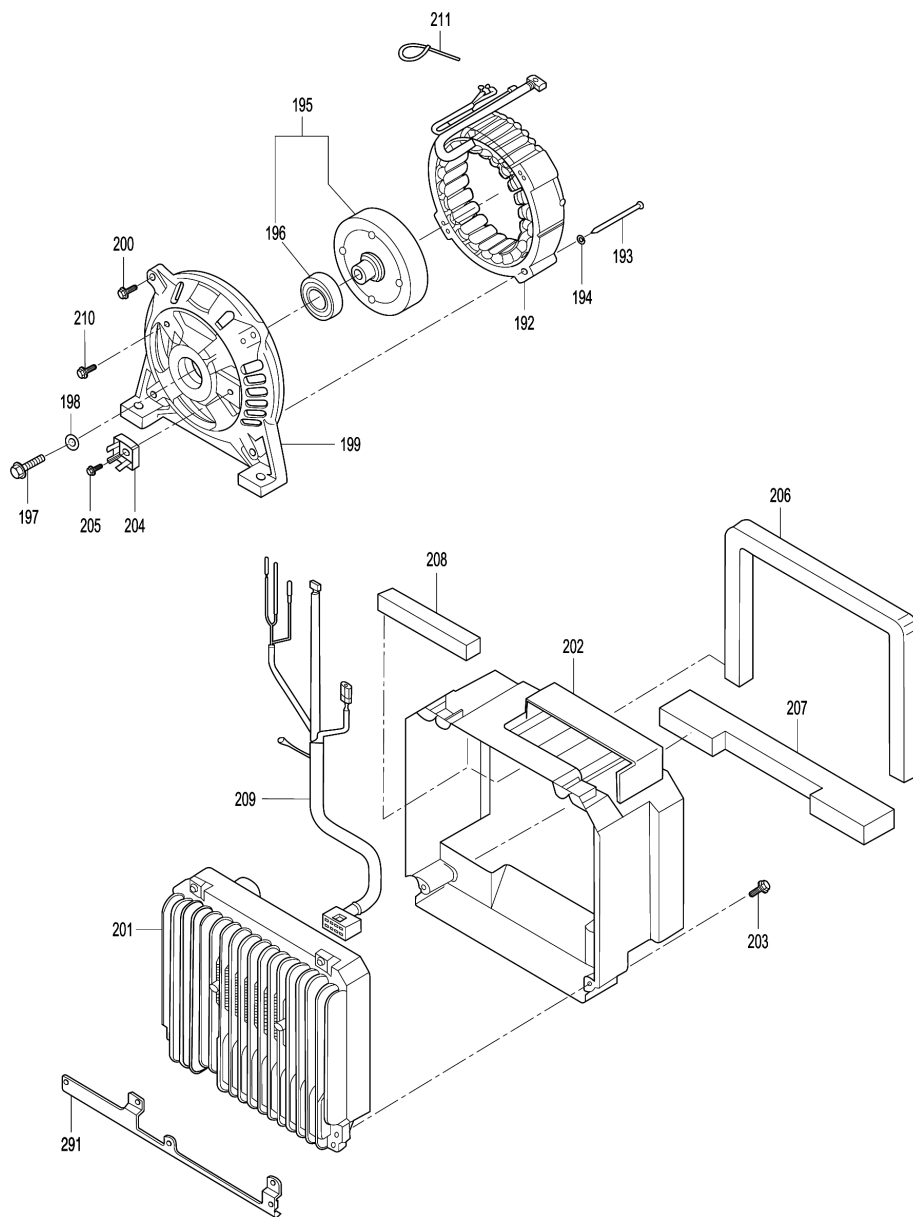
Model No.G4300IS GENERATOR



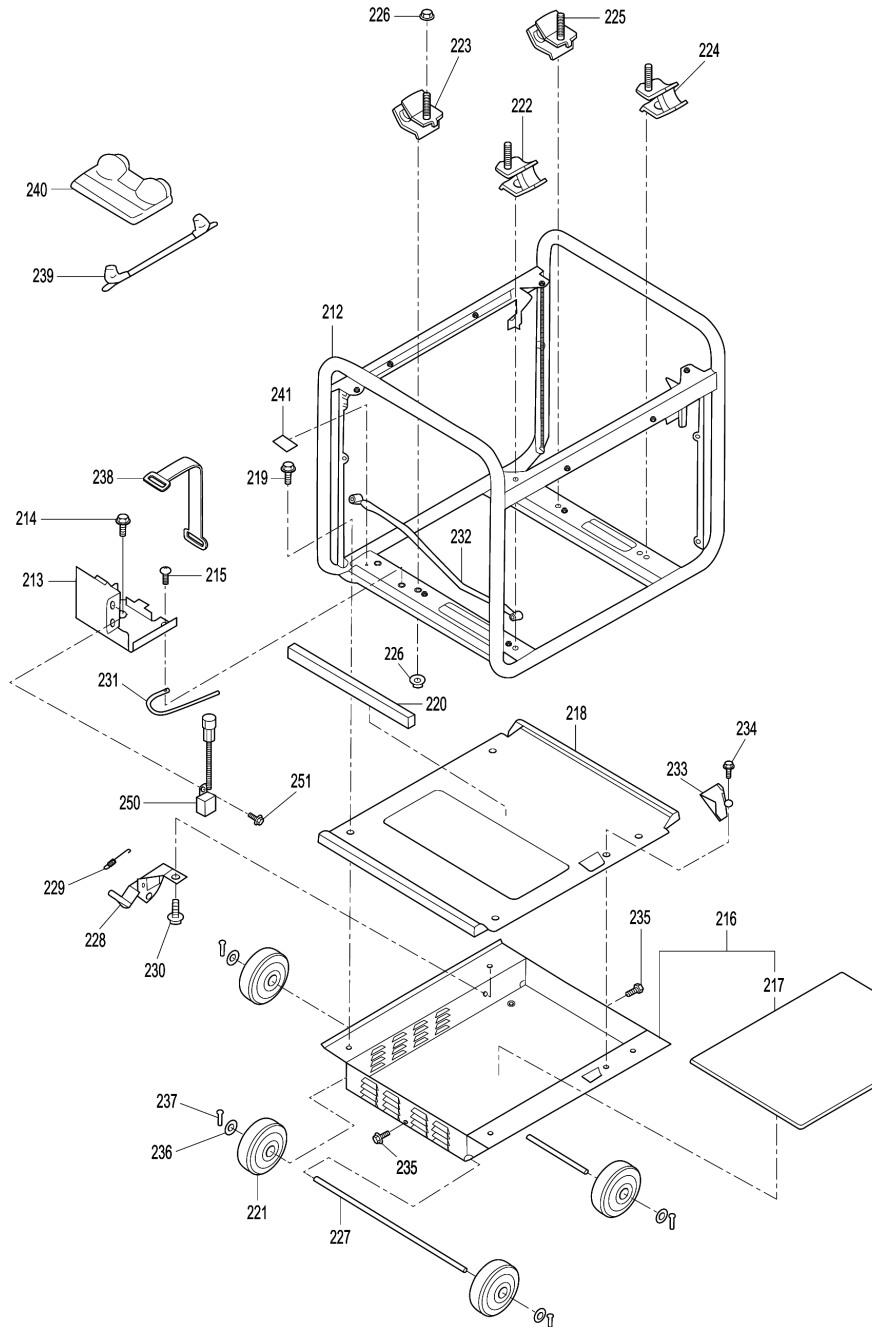
Model No.G4300IS GENERATOR



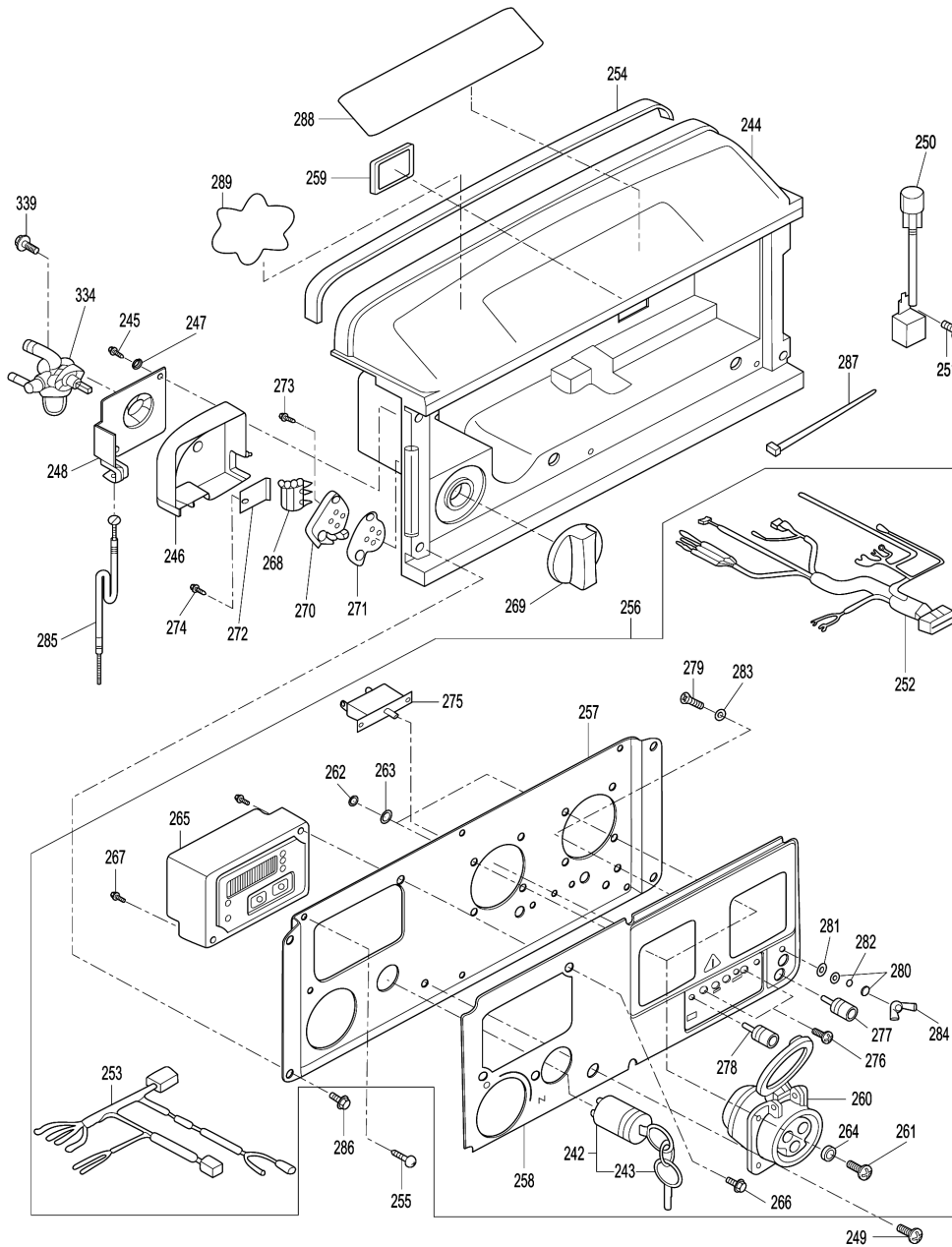
Model No.G4300IS GENERATOR



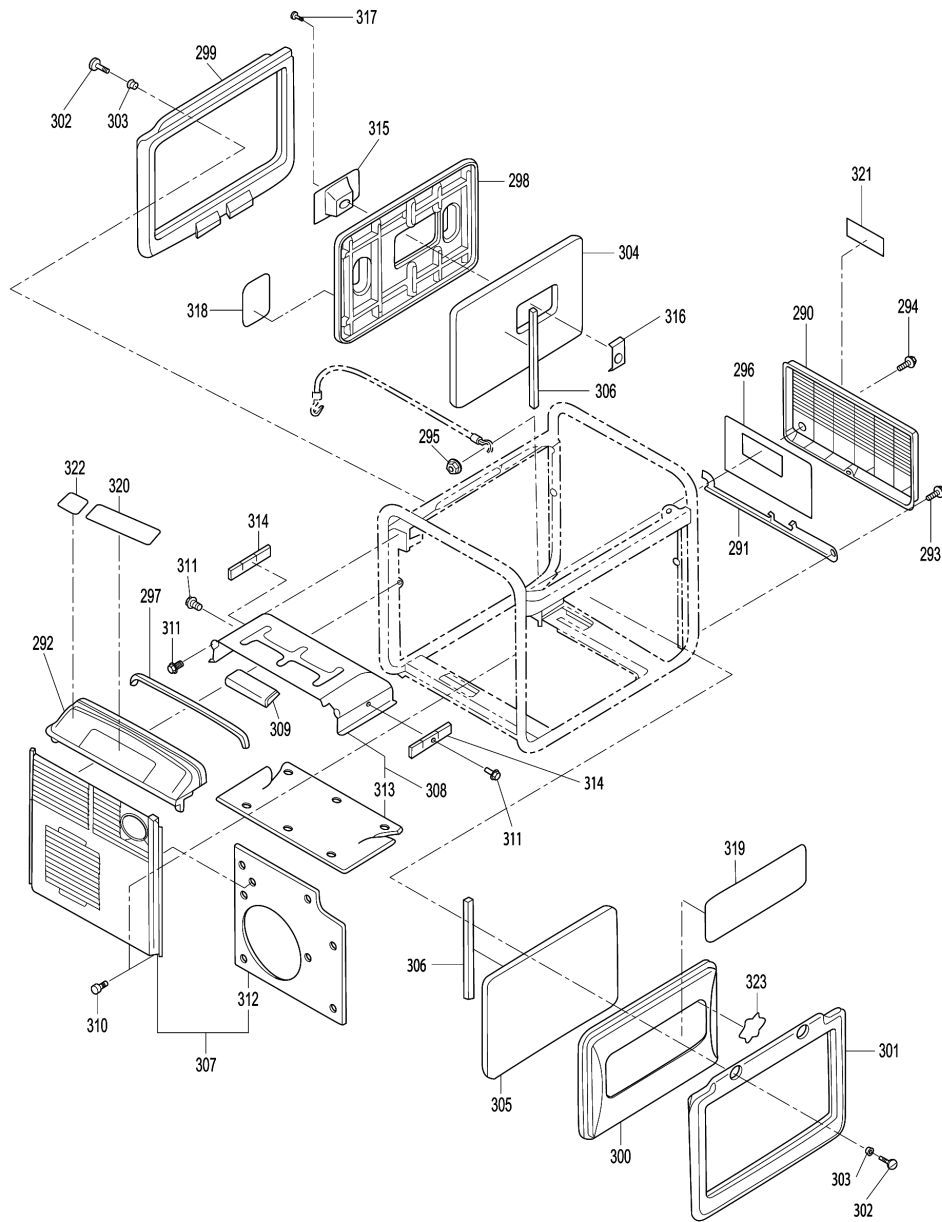
Model No.G4300IS GENERATOR



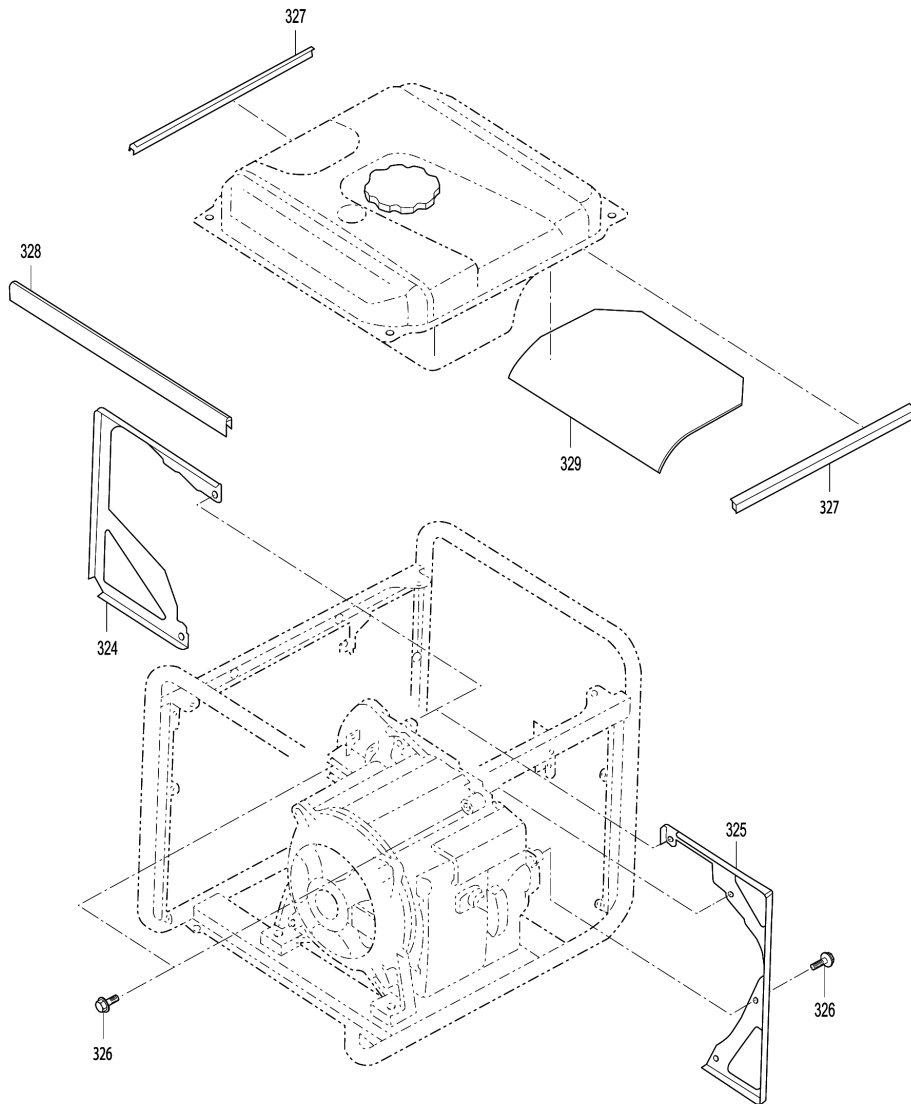
Model No.G4300IS GENERATOR



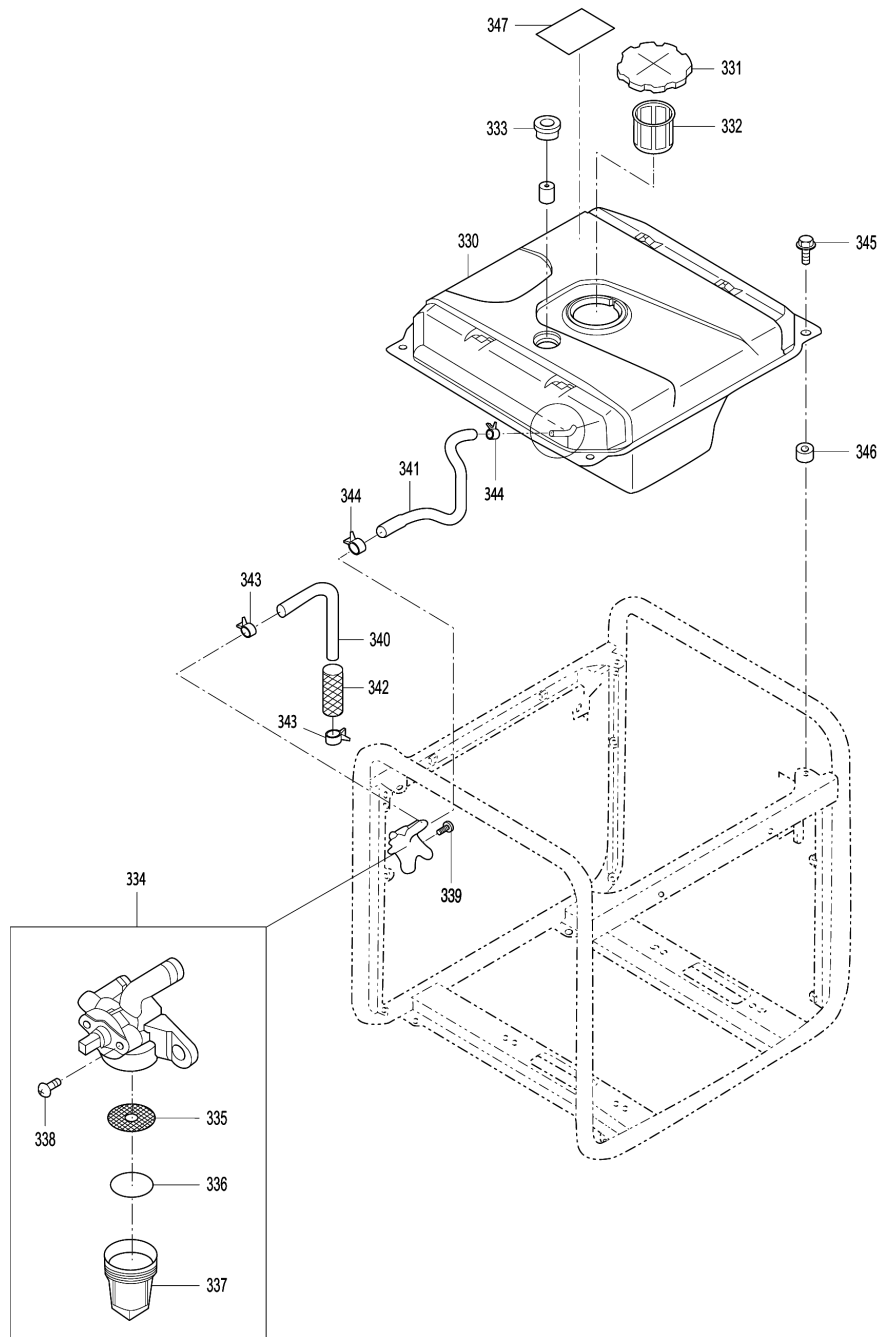
Model No.G4300IS GENERATOR



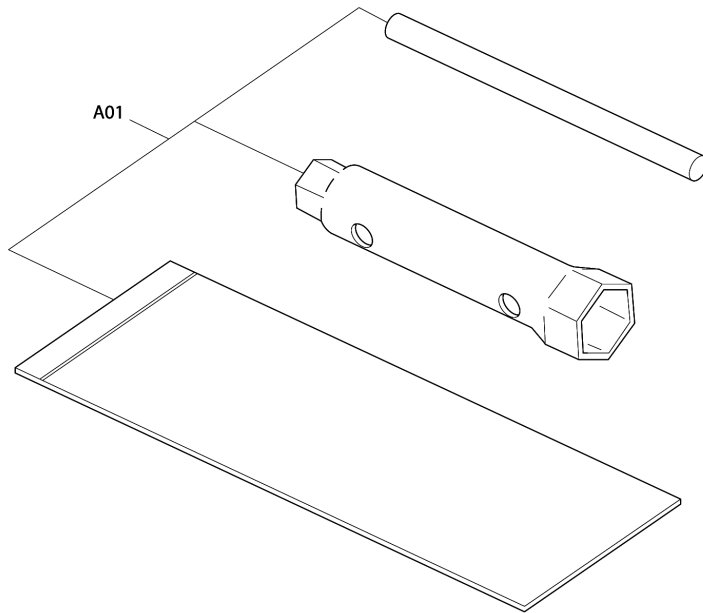
Model No.G4300IS GENERATOR



Model No.G4300IS GENERATOR



Model No.G4300IS GENERATOR



Model No.G4300IS GENERATOR

Item	Parts No.	Description	I/C	Qty	New/Old	Opt. 1	Opt. 2	Note
001	2791010251	CRANK CASE COMPLETE		1	*			
D10		INC. 5,6,8			*			
001-1	2791010601	CRANK CASE CP	<	1	*			
D10		INC. 5,6,8			*			
D11		INC. 4-6,8			*			
001-2	2791012201	CRANK CASE CP	O	1				
D11		INC. 4-6,8						
002	2371420203	VALVE GUIDE (OVERSIZE)		2				
003	2771601001	STEM SEAL		1				
004	0440300160	OIL SEAL 30DX45DX7B		1				
005	0600300341	BALL BEARING 6206 30DX62DX16B		1				
006	2771501103	PIPE KNOCK 10.3DX8.5DX14L		2				
007	0105060410	STUD M6X1.0X107L		2				
008	0440060020	OIL SEAL 6DX10DX2.5B		1				
009	0401140030	PLUG		2				
010	0211140020	GASKET		2				
011	2791100121	MAIN BEARING COVER C		1	*			
D10		INC. 12,13			*			
011-1	2791100131	MAIN BEARING COVER C	O	1	*			
D10		INC. 12,13			*			
011-2	2791100141	MAIN BEARING COVER C	O	1				
D10		INC. 12,13						
012	0440300160	OIL SEAL 30DX45DX7B		1				
013	0600300370	BALL BEARING 6206 30DX62DX16B		1				
014	2796360113	OIL GAUGE M22X1.5L=67.5+18		2	*			
014-1	2796360123	OIL GAUGE	<	2	*			
014-2	2796360130	OIL GAUGE AY	<	2				
D10		INC. 15						
015	0213200050	GASKET		2	*			
015-1	2796360108	GASKET	<	2	*			
015-2	0213200050	GASKET	O	2				
016	0010408350	FLANGE BOLT		7				
017	2791300501	CYLINDER HEAD COMPLETE		1				
D10		INC. 2,3,7,102,103						
018	2791500123	GASKET (HEAD)		1	*			
018-1	2791500133	GASKET (HEAD)	O	1				
019	0110080240	FLANGE BOLT M8X1.25X16DX68L		4				
020	0110080310	FLANGE BOLT M8X33L		1				
021	2771550101	ROCKER COVER COMPLETE		1	*			
021-1	2771550301	ROCKER COVER CP	<	1	*			
021-2	2771550311	ROCKER COVER CP	<	1				

Please order the parts with part number.

Print Date 27/6/2019

Model No.G4300IS GENERATOR

Item	Parts No.	Description	I/C	Qty	New/Old	Opt. 1	Opt. 2	Note
022	2771600103	GASKET(ROCKER COVER)T=0.7		1	*			
022-1	2771600113	GASKET(ROCKER COVER)T=0.7	O	1	*			
022-2	2771600123	GASKET(ROCKER COVER)T=0.7	<	1				
023	2771501103	PIPE KNOCK 10.3DX8.5DX14L		2				
024	0110060020	FLANGE BOLT M6X1.0X14DX12L		4				
025	2799900117	GASKET SET		1	*			
D10		INC. 10,15,18,22,116,130,131			*			
025-1	2799900127	GASKET SET	O	1	*			
D10		INC. 10,15,18,22,116,130,131			*			
025-2	2799900137	GASKET SET	<	1	*			
D10		INC. 10,15,18,22,116,130,131			*			
025-3	2799900147	GASKET SET	<	1				
D10		INC. 10,15,18,22,116,130,131						
026	2792070141	CRANKSHAFT COMPLETE		1	*			
026-1	2792070151	CRANK SHAFT COMPLETE	<	1				
027	0180180010	FLANGE NUT M18X15X31DX14H		1				
028	0323030010	WOODRUFF KEY		1				
029	2792250120	CONNECTING ROD ASSEMBLY		1	*			
D10		INC. 30			*			
029-1	2792250130	CONNECTING ROD ASSY	O	1				
D10		INC. 30						
030	2792300103	CONNECTING ROD BOLT M7X1X13.8D		2				
031	2792330103	PISTON PIN 18DX13DX53L		1				
032	2792340103	PISTON STD(75DX43H)		1	*			
032-1	27923401H3	PISTON	O	1				
032A_	2792340303	PISUTON 0.25 OVER SIZ(75DX43H)		1				
032B_	2792340403	PISUTON 0.25 OVER SIZ(75DX43H)		1				
033	2792351117	PISTON RING SET STANDARD OIL		1				
033A_	2792351217	PISTON RING SET 0.25 OVER SIZ		1				
033B_	2792351317	PISTON RING SET 0.50 OVER SIZE		1				
034	0565180010	CLIP		2				
035	2793160211	CAM SHAFT COMPLETE		1	*			
D10		INC. 36-41			*			
035-1	2793160221	CAM SHAFT COMPLETE	<	1	*			
D10		INC. 36-41			*			
035-2	2793160231	CAM SHAFT COMPLETE	<	1	*			
D10		INC. 36-41			*			
035-3	2793160241	CAM SHAFT COMPLETE	<	1	*			

Please order the parts with part number.

Print Date 27/6/2019

Model No.G4300IS GENERATOR

Item	Parts No.	Description	I/C	Qty	New/Old	Opt. 1	Opt. 2	Note
D10		INC. 36-41			*			
035-4	2793160251	CAM SHAFT COMPLETE	<	1				
D10		INC. 36-41						
036	2773510103	PIN(CAM SHAFT)9DX78.5L		1	*			
036-1	2773510101	PIN(CAM SHAFT)CP	<	1				
C10	2773510103	PIN(CAM SHAFT)9DX78.5L		1	*			
D10		INC. 37						
037	0240060010	O RING 5.8DX9.6D		1	*			
038	2773860103	PIN(SPRING) 4DX8DX9L		1				
039	2793640103	RELEASE LEVER		1	*			
039-1	2793640113	RELEASE LEVER	S	1				
040	2773650103	CLIP 13.8DX20.3DX0.4T		1				
041	2793870113	RETURN SPRING		1	*			
041-1	2773870313	RETURN SPRING	S	1	*			
041-2	2773870323	RETURN SPRING	S	1	*			
041-3	2773870333	RETURN SPRING	<	1				
042	2793360103	VALVE SPING		2				
043	2693370103	SPRING RETAINER		2				
044	2793340113	INTAKE VALVE 28.5DX5.5DX67.8L		1	*			
044-1	27933401H3	INTAKE VALVE 28.5DX5.5DX67.8L	O	1	*			
044-2	22E3340103	INTAKE VALVE	<	1				
045	2793350113	EXHAUST VALVE 26.5DX5.5DX67.8L		1	*			
045-1	27933501H3	EXHAUST VALVE 26.5DX5.5DX67.8L	O	1	*			
045-2	22E3350103	EXHAUST VALVE 26.5DX5.5DX67.8L	O	1				
046	13210KA031	COLLET VALVE		4				
047	2793560111	TIMING CHAIN COMPLETE		1	*			
047-1	27935602H1	TIMING CHAIN CP	O	1				
048	2773691103	TENSIONER		1	*			
048-1	20A3691103	TENSIONER	<	1				
049	2773710103	SPRING(TENSIONER)		1				
050	2773690203	PIN(TENSIONER) 6DX13DX34L		1				
051	2773691313	CHAIN GUIDE		1	*			
051-1	20A3691303	CHAIN GUIDE	<	1				
052	2773500201	PIN(ROCKER) COMPLETE		1	*			
D10		INC. 53			*			
052-1	2773500401	PIN(ROCKER) CP	<	1				
D10		INC. 53						
053	0031305000	CLIP		1				
054	2773620100	LOCKER ARM(INTAKE) ASS'Y		1				
D10		INC. 56,58						

Please order the parts with part number.

Print Date 27/6/2019

Model No.G4300IS GENERATOR

Item	Parts No.	Description	I/C	Qty	New/Old	Opt. 1	Opt. 2	Note
055	2773620200	ROCKER ARM(EXHAUST)ASS'Y		1				
D10		INC. 57,59						
056	0149050020	ADJUST SCREW M5X23		1				
057	0149050020	ADJUST SCREW M5X23		1				
058	0170050030	NUT M5		1				
059	0170050030	NUT M5		1				
060	0110060020	FLANGE BOLT M6X1.0X14DX12L		1				
061	2774860103	PIN(BLIND)		1	*			
061-1	2774860113	PIN(BLIND)	<	1				
062	0031305000	CLIP		1				
063	2797926111	FLYWHEEL COMPELTE		1	*			
063-1	2797926151	FLYWHEEL COMPLETE	<	1				
064	2797943101	IGNITION COIL COMPLETE		1				
065	2677100203	RING GEAR		1				
066	0011406250	BOLT & WASHER ASS'Y		2				
067	27973105H1	WIRE 5		1				
068	0650140150	SPARK PLUG (BR6HS)		1				
069	0655000270	SPARK PLUG CAP		1	*			
069-1	X655000270	SPARK PLUG CAP	O	1	*			
069-2	X655000271	SPARK PLUG CAP	<	1				
070	2797630131	OIL SENSOR COMPLETE		1	*			
070-1	2797630141	OIL SENSOR CP	O	1	*			
070-2	2797630151	OIL SENSOR CP	<	1	*			
070-3	2797630161	OIL LEVEL SENSOR CP	<	1				
071	0011406160	BOLT & WASHER ASS'Y		1				
072	0130060260	BOLT AND WASHER ASSEMBLY		1				
073	2797550103	WIRE CLAMP		1				
074	0152060050	TAPPING BOLT		1				
075	2797050200	STARTING MOTOR ASSEMBLY		1				
D10		INC. 76-95						
076	2097055008	YOKE COMPLETE		1				
D10		INC. 77						
077	2097055108	BRUSH		4				
078	2097054508	BRUSH SPRING		4				
079	2097053008	BRUSH HOLDER		1				
080	2097055208	INSULATOR		1				
081	2097055408	ARMATURE ASSEMBLY		1				
082	2097052108	OVER RUNNING CLUTCH		1				
D10		INC. 83						
083	2347055508	PINION STOPPER		1				
084	2797055008	HOUSING COMPLETE		1				

Please order the parts with part number.

Print Date 27/6/2019

Model No.G4300IS GENERATOR

Item	Parts No.	Description	I/C	Qty	New/Old	Opt. 1	Opt. 2	Note
D10		INC. 85						
085	2097051108	BUSH		1				
086	2097050518	FRAME COMPLETE		1				
D10		INC. 87						
087	2097051008	BUSH		1				
088	2097052508	LEVER		1				
089	2797051508	MAGNET SWITCH COMPLETE		1				
090	2097055718	SNAP RING		1				
091	2097055808	THROUGH BOLT		2				
092	9492997002	NUT		2	*			
092-1	4929970-02	NUT	O	2				
093	2097056008	NUT		2				
094	1077065208	SPRING WASHER		1				
095	2117058408	NUT		1				
096	2797651111	BRACKET (SEL) COMPLETE		1				
097	2147900701	BOLT,STARTER		2				
098	0110060020	FLANGE BOLT M6X1.0X14DX12L		3				
099	0031008000	WASHER		2	*			
099-1	941202-8	FLAT WASHER 8	O	2				
100	0021708000	NUT		1				
101	0032008000	SPRING WASHER		1				
102	0105080290	MUFFLER STUD		1				
103	0105080440	STUD M8X120L		1				
104	33D3500101	BOTTOM EXT. PLATE COMPLETE		1				
105	0110080270	FLANGE BOLT M8X33L		2				
106	0110080150	FLANGE BOLT M8X12L		2				
107	34J5410101	FAN (SILENT) COMPLETE		1				
108	0011410250	BOLT AND WASHER		1				
109	0200080080	WASHER		1				
110	2793041131	MUFFLER COMPLETE(SILENT)		1	*			
110-1	2793041141	MUFFLER COMPLETE(SILENT)	O	1	*			
110-2	2793041161	MUFFLER COMPLETE(SILENT)	O	1				
111	33D5260103	BAFFLE		1				
112	0110080270	FLANGE BOLT M8X33L		2				
113	0023808000	FLANGE NUT		2				
114	0110080320	FLANGE BOLT		1				
115	0110060010	FLANGE BOLT M6X1.0X14DX8L		1				
116	2773520113	GASKET(MUFFLER)		2				
117	9802008280	FLANGE NUT M8		2	*			
117-1	0023808000	FLANGE NUT	O	2				
118	2793920103	FLANGE		1				

Please order the parts with part number.

Print Date 27/6/2019

Model No.G4300IS GENERATOR

Item	Parts No.	Description	I/C	Qty	New/Old	Opt. 1	Opt. 2	Note
119	2773721000	TAIL SCREEN COMPLETE		1	*			
D10		INC.120.121			*			
119-1	2773721003	TAIL SCREEN COVER	S	1				
120	0043505160	SCREW ASS'Y		1				
121	0021805000	NUT M5		1	*			
121-1	264035-7	HEX. NUT M5	O	1				
122	2793262200	AIR CLEANER ASSEMBLY		1	*			
D10		INC. 123-126			*			
122-1	2793262210	AIR CLEANER ASSEMBLY	<	1				
D10		INC. 123-126						
123	2793263508	CLEANER BODY COMPELTE		1	*			
123-1	2793263518	CLEANER BODY COMPELTE	<	1				
124	2793265008	GASKET		1	*			
124-1	2793265018	GASKET	<	1				
125	2793264608	COVER COMPLETE		1				
126	2793261208	FILTER		1				
127	0023806000	FLANGE NUT M6		2				
128	0851080000	RUBBER PIPE (8DX11D)		1				
129	2793291003	INSULATOR		1	*			
129-1	2793291013	INSULATOR	<	1				
130	27935902H3	GASKET1(INSULATOR)		1	*			
130-1	27935902J3	GASKET1(INSULATOR)	O	1				
131	27935903H3	GASKET2(INSULATOR)		1	*			
131-1	27935903J3	GASKET2(INSULATOR)	O	1				
132	2793970103	SPONGE(INSULATOR)		1				
133	2793900401	BRACKET (A/C) COMPLETE		1				
134	0110060050	FLANGE BOLT		1	*			
134-1	0010406200	FLANGE BOLT M6X20	<	1				
135	0110060150	FLANGE BOLT		1				
136	2795200113	BLOWER HOUSING		1				
137	0011406300	BOLT AND WASHER ASS'Y		1				
138	0011406600	BOLT AND WASHER ASSEMBLY		4				
139	9804008110	STR PIN 8X10		2				
140	2775040100	RECOIL STARTER ASSY		1	*			
D10		INC. 141-148			*			
140-1	2775040110	RECOIL STARTER ASSY	O	1	*			
D10		INC. 141-148			*			
140-2	2775040120	RECOIL STARTER ASSY	<	1	*			
D10		INC. 141-148			*			
140-3	2775040130	RECOIL STARTER ASSY	<	1	*			
D10		INC. 141-148			*			
140-4	2775040140	RECOIL STARTER ASSY	<	1				

Please order the parts with part number.

Print Date 27/6/2019

Model No.G4300IS GENERATOR

Item	Parts No.	Description	I/C	Qty	New/Old	Opt. 1	Opt. 2	Note
D10		INC. 141-148						
141	2775040208	SPIRAL SPRING		1				
142	2775040308	REEL		1				
143	2775040808	STARTER ROPE		1				
144	2775040908	STARTER KNOB		1	*			
144-1	2775040918	STARTER KNOB	<	1				
145	2775040408	RACHET		1				
146	2775040508	FRICITION SPRING		1				
147	2775040708	FRICITION PLATE		1				
148	2775040608	RETAINING RING		1				
149	0110060140	FLANGE BOLT M6X18L		3				
150	2795411003	COOLING BLOWER		1				
151	2795270213	BAFFLE2(HEAD)		1				
152	0110060020	FLANGE BOLT M6X1.0X14DX12L		1				
153	2772440103	DRIVING SHAFT		1				
154	0110100110	FLANGE BOLT M8X27L		4				
155	2796233000	CARBURETOR ASSEMBLY		1	*			
D10		INC. 156-190			*			
155-1	2796233010	CARBURETOR ASSEMBLY	O	1	*			
D10		INC. 156-190,352			*			
155-2	2796233020	CARBURETOR ASSEMBLY	<	1				
D10		INC. 156-190,352						
156	2796253508	THROTTLE VALVE		1				
157	2516245008	SCREW		2				
158	2796252608	VALVE CHOKE		1				
159	2516245008	SCREW		2				
160	2796242008	JET SLOW		1				
161	2796252108	CHOKE LEVER		1				
162	2796253108	THROTTLE SHAFT		1	*			
162-1	2796253118	THROTTLE SHAFT	X	1				
163	2516245308	SCREW		1				
164	2796250008	VALVE ASSEMBLY,NEEDLE		1				
165	2796251508	PIN FLOAT LEVER		1				
166	2796255308	FLOAT BODY		1				
167	2516235008	GASKET		1				
168	2796254008	GASKET CHAMBER		1				
169	2796250508	FLOAT SUB ASSEMBLY		1				
170	2796240008	JET MAIN		1				
171	2846245608	SCREW		1				
172	2796244708	SPRING(CHOKE)		1				
173	2796258108	SCREW		1				
174	2796256108	BUSH		1				

Please order the parts with part number.

Print Date 27/6/2019

Model No.G4300IS GENERATOR

Item	Parts No.	Description	I/C	Qty	New/Old	Opt. 1	Opt. 2	Note
175	2796235318	SCREW ADJUSTING		1				
176	2796244508	SPRING		1				
177	2796256508	COLLAR		2				
178	2846231508	SPRING(THROTTLE)		1	*			
178-1	2796244918	SPRING(THROTTLE)	X	1				
179	2796245208	O-RING		1				
180	2796245108	O-RING		1				
181	2796259008	VINYL PIPE		1				
182	2846258008	MOTOR		1				
183	2846257608	BRACKET(MOTOR)		1	*			
183-1	2846257618	BRACKET MOTOR	X	1				
184	2776259508	COVER(MOTOR)		1				
185	2846245808	SCREW		2				
186	2846245708	SCREW		2				
187	2796260008	JOINT LEVER		1				
188	2846244608	SPRING		1	*			
188-1	2846244618	SPRING	X	1				
189	2796257508	BRACKET		1				
190	2796258008	SCREW		3				
191	0566000250	CLAMP		1				
192	34D2105101	STATOR COMPLETE		1				
193	34D2105108	BOLT		4				
194	0032005000	SPRING WASHER		4				
195	34D2006101	ROTOR COMPLETE		1				
D10		INC. 196						
196	34B2100108	BEARING		1				
197	0100100200	BOLT		1				
198	0200100160	WASHER		1				
199	34B2307101	REAR COVER		1				
200	0011406250	BOLT & WASHER ASS'Y		4				
201	KU31073011	INV AND E/G C/U COMPLETE(F14)		1	*			
201-1	KU31073041	INV AND E/G C/U COMPLETE(F14)	<	1	*			
201-2	KU51211411	INV AND E/G C/U COMPLETE(F14)	O	1	*			
201-3	KU51214401	INV AND E/G C/U COMPLETE(F14)	<	1				
202	34B5500103	COVER		1				
203	0043605160	SCREW ASS'Y M5X16 (W,SW)		2	*			
203-1	266494-1	+ PAN HEAD SCREW M5X16	O	2				
204	34K2090308	RECTIFIER		1				
205	34K2090408	SCREW		1				
206	34J5730103	SEAL SPONGE IN1		1	*			

Please order the parts with part number.

Print Date 27/6/2019

Model No.G4300IS GENERATOR

Item	Parts No.	Description	I/C	Qty	New/Old	Opt. 1	Opt. 2	Note
206-1	34J5730113	SEAL SPONGE	O	1				
207	34B5730203	SEAL SPONGE IV2		1	*			
207-1	34B5730213	SEAL SPONGE IV2	<	1				
208	34B5730303	SEAL SPONGE IV3		1	*			
208-1	34B5730313	SEAL SPONGE IV3	<	1				
209	34B4810101	WIRE HARNESS		1	*			
209-1	34B4810201	WIRE HARNESS(E/G)CP	<	1				
210	34K2090508	SCREW		1				
211	34K2090708	BAND		2				
212	34J3000101	FRAME COMPLETE		1				
213	33B3560201	BATTERY BASE		1				
214	0110060080	FLANGE BOLT M6X12L		2				
215	0140060121	SCREW		1				
216	34J5310101	BASE PLATE(LOWER) COMPLETE		1				
D10		INC. 217						
217	34G5900503	SPONGE(BASE)		1				
218	34J5300201	BASE PLATE(UPPER) COMPLETE		1				
219	0011408160	BOLT AND WASHER ASSY		4				
220	34G5900603	SPONGE(BASE)		1				
221	3933060301	WHEEL		4	*			
221-1	34G5550111	WHEEL	<	4				
222	32B3021401	MOUNT COMPLETE(L)		1				
223	32B3021301	MOUNT COMPLETE(R)		1				
224	32B3020301	MOUNT COMPLETE(R) 35L		1				
225	32B3020401	MOUNT COMPLETE (L) 35L		1				
226	0023808000	FLANGE NUT		8				
227	34G5520101	SHAFT (WHEEL) COMPLETE		2	*			
227-1	34G5520111	SHAFT(WHEEL)COMPLETE	<	2				
228	34G5600210	BRAKE		1				
229	34G5610213	SPRING		1				
230	0011408160	BOLT AND WASHER ASSY		1				
231	33B4809101	EARTH WIRE COMPLETE		1				
232	34B4809101	EARTH WIRE		1				
233	34G5521111	DRAIN GUIDE		1	*			
233-1	34G5521121	DRAIN GUIDE	O	1				
234	0110060020	FLANGE BOLT M6X1.0X14DX12L		1				
235	0110060020	FLANGE BOLT M6X1.0X14DX12L		2				
236	0031112000	WASHER		4				
237	0051030250	COTTER PIN		4				
238	33B5800101	BATTERY BAND		1				

Please order the parts with part number.

Print Date 27/6/2019

Model No.G4300IS GENERATOR

Item	Parts No.	Description	I/C	Qty	New/Old	Opt. 1	Opt. 2	Note
239	33B4807211	BATTERY WIRE COMPLETE		1				
240	33D3570103	BATTERY COVER		1				
241	0732002651	LABEL(EARTH)		1				
242	0660000330	KEY SWITCH ASS'Y		1	*			
D10		INC. 243			*			
D11		INC.243-1			*			
242-1	0660000331	KEY SWITCH ASS'Y	<	1				
D11		INC.243-1						
243	0660009980	KEY(2PCS)		2	*			
243-1	0660009980	KEY(2PCS)	<	1				
244	33B5000201	FRONT COVER (UPPER) COMPLETE		1	*			
244-1	33B5000111	FRONT COVER (UPPER) COMPLETE	<	1				
245	0150040070	TAPPING SCREW		2				
246	33B4600103	COVER (COCK)		1				
247	0031004000	WASHER		2				
248	33B4601201	BRACKET (COCK)		1	*			
248-1	33B4601211	BRACKET(COCK)	O	1				
249	0043606160	SCREW & WASHER ASS'Y		2				
250	33B4710101	DIODE		1				
251	0110060020	FLANGE BOLT M6X1.0X14DX12L		1				
252	34B4800201	WIRE HARNESS COMPLETE		1				
253	33B4805201	WIRE HARNESS COMPLETE		1				
254	34B5731103	SEAL SPONGE FC2		1				
255	3534990408	TAPPING SCREW(M4X10MM)		6				
256	34D4571410	CONTROL PANEL ASSEMBLY		1	*			
D10		INC. 242,243,252,253,257,258			*			
D20		INC. 260-265,273-282			*			
256-1	34D4571430	CONTROL PANEL ASSEMBLY	O	1	*			
D10		INC. 242,243,252,253,257,258			*			
D20		INC. 260-265,273-282			*			
256-2	34D4571470	CONTROL PANEL ASSEMBLY	<	1				
D10		INC. 242,243,252,253,257,258						
D20		INC. 260-265,273-282						
257	33B4500901	PANEL PLATE COMPLETE		1				
258	34B4911503	SHEET (PANEL VS) 15		1	*			
258-1	34B4911513	SHEET (PANEL VS) 15	O	1				
259	2277500103	GROMMET		1				
260	3584062108	AC RECEPTACLE F/GERMAN TYPE		2				
261	0043603120	SCREW & WASHER ASS'Y		8				
262	0021703000	NUT(M5)		8				

Please order the parts with part number.

Print Date 27/6/2019

Model No.G4300IS GENERATOR

Item	Parts No.	Description	I/C	Qty	New/Old	Opt. 1	Opt. 2	Note
263	KU31177011	MONITOR G/U COMPLETE (INV2)		1	*			
263-1	KU31177021	MONITOR C/U COMPLETE (INV2)	O	1	*			
263-2	KU31177041	MONITOR C/U COMPLETE(INV2)	O	1	*			
264	0131040080	SCREW AND WASHER ASSY		2	*			
265	0021704000	NUT		2	*			
265-1	KU31177041	MONITOR C/U COMPLETE(INV2)	X	1				
266	33K4181103	MICRO SWITCH		2	*			
266-1	33K4181203	MICRO SWITCH	O	2	*			
266-2	0131040080	SCREW AND WASHER ASSY	X	2	*			
266-3	33B4000308	SCREW AND WASHER ASSY	<	2				
267	33K4201003	CONTROL DIAL		1	*			
267-1	0021704000	NUT	X	2				
268	33K4202003	CHOKE REEL		1	*			
268-1	33K4181203	MICRO SWITCH	X	2				
269	33K4203013	PLATE		1	*			
269-1	33K4203023	PLATE	O	1	*			
269-2	33K4201003	CONTROL DIAL	X	1				
270	33B4601501	BRACKET		1	*			
270-1	33K4202003	CHOKE REEL	X	1				
271	33K4181408	TAPPING SCREW M3X16L		2	*			
271-1	33B4000108	TAPPING SCREW	O	2	*			
271-2	33K4203023	PLATE	X	1				
272	0150040070	TAPPING SCREW		1	*			
272-1	33B4601501	BRACKET	X	1				
273	3524562008	CIRCUIT BREAKER (DC) 10A		1	*			
273-1	33K4181408	TAPPING SCREW M3X16L	X	2				
274	31B7901103	SCREW AND WASHER ASS'Y		2	*			
274-1	0150040070	TAPPING SCREW	X	1				
275	3634570108	TERMINAL BOLT (RED)		1	*			
275-1	3524562008	CIRCUIT BREAKER (DC) 10A	X	1				
276	3634570008	TERMINAL BOLT (BLACK)		1	*			
276-1	31B7901103	SCREW AND WASHER ASS'Y	X	2				
277	3888800103	SCREW M5X18		1	*			
277-1	3634570108	TERMINAL BOLT (RED)	X	1				
278	3320005008	SPRING WASHER		2	*			
278-1	3634570008	TERMINAL BOLT (BLACK)	X	1				
279	3534990308	WASHER		1	*			
279-1	3888800103	SCREW M5X18	X	1				
280	3534990208	NUT		1	*			
280-1	3320005008	SPRING WASHER	X	2				

Please order the parts with part number.

Print Date 27/6/2019

Model No.G4300IS GENERATOR

Item	Parts No.	Description	I/C	Qty	New/Old	Opt. 1	Opt. 2	Note
281	0033005000	LOCK WASHER		1	*			
281-1	3534990308	WASHER	X	1				
282	3534990108	WING NUT		1	*			
282-1	3534990208	NUT	X	1				
283	33B4602101	CHOKE WIRE COMPLETE		1	*			
283-1	0033005000	LOCK WASHER	X	1				
284	0140060190	SCREW		4	*			
284-1	3534990108	WING NUT	X	1				
285	0563000020	WIRE BAND		5	*			
285-1	33B4602101	CHOKE WIRE COMPLETE	X	1				
286	34J9001713	LABEL(TRADE MARK)		1	*			
286-1	0140060190	SCREW	X	4				
287	34K9211003	LABEL E-CON		1	*			
287-1	0563000020	WIRE BAND	X	5				
288	33B5010101	FRONT COVER (LOWER) COMPLETE		1	*			
288-1	34J9001713	LABEL(TRADE MARK)	X	1				
289	33B3550101	BRACKET (COVER) COMPLETE		1	*			
289-1	34K9211003	LABEL E-CON	X	1				
290	33B5050101	REAR COVER (UPPER)		1	*			
290-1	33B5010101	FRONT COVER (LOWER) COMPLETE	X	1				
291	0110060180	FLANGE BOLT M6X1.0X14DX18L		2	*			
291-1	33B3550101	BRACKET (COVER) COMPLETE	X	1				
292	0011106250	BOLT & WASHER ASSY		1	*			
292-1	33B5050101	REAR COVER (UPPER)	X	1				
293	0023806000	FLANGE NUT M6		1	*			
293-1	0110060180	FLANGE BOLT M6X1.0X14DX18L	X	2				
294	34B5731003	SEAL SPONGE FC1		1	*			
294-1	0011106250	BOLT & WASHER ASSY	X	1				
295	34B5731103	SEAL SPONGE FC2		1	*			
295-1	0023806000	FLANGE NUT M6	X	1				
296	34J5100201	SIDE COVER(R) COMPLETE		1	*			
296-1	34B5731003	SEAL SPONGE FC1	X	1				
297	34J5510103	SIDE RUBBER SEAL		1	*			
297-1	34B5731103	SEAL SPONGE FC2	X	1				
298	34J5110201	SIDE COVER(L) COMPLETE		1	*			
298-1	34J5100201	SIDE COVER(R) COMPLETE	X	1				
299	34J5510103	SIDE RUBBER SEAL		1				
300	34G5530101	COVER BOLT		4	*			
300-1	34G5530301	COVER BOLT	O	4	*			
300-2	34J5110201	SIDE COVER(L) COMPLETE	X	1				

Please order the parts with part number.

Print Date 27/6/2019

Model No.G4300IS GENERATOR

Item	Parts No.	Description	I/C	Qty	New/Old	Opt. 1	Opt. 2	Note
301	34G5530201	SPACER		4	*			
301-1	34G5530401	SPACER	O	4	*			
301-2	34J5510103	SIDE RUBBER SEAL	X	1				
302	34J5900113	SPONGE(S COVER-R)		1	*			
302-1	34G5530301	COVER BOLT	X	4				
303	34J5900213	SPONGE(S COVER-L)		1	*			
303-1	34G5530401	SPACER	X	4				
304	34G5732103	SEAL SPONGE (SIDE)		2	*			
304-1	34J5900113	SPONGE(S COVER-R)	X	1				
305	33B5641101	MUFFLER COVER (REAR) COMPLETE		1	*			
D10		INC. 310			*			
305-1	33B5641111	MUFFLER COVER (REAR) COMPLETE	<	1	*			
D10		INC. 310			*			
305-2	33B5621111	MUFFLER COVER (REAR)	S	1	*			
305-3	34J5900213	SPONGE(S COVER-L)	X	1				
306	34J5635101	MUFFLER COVER (LL) COMPLETE		1	*			
D10		INC. 311			*			
306-1	34J5605101	MUFFLER COVER (LL)	O	1	*			
306-2	34G5732103	SEAL SPONGE (SIDE)	X	2				
307	33B5700503	SEAL RUBBER		1	*			
307-1	33B5621111	MUFFLER COVER (REAR)	X	1				
308	0110060180	FLANGE BOLT M6X1.0X14DX18L		6	*			
308-1	34J5605101	MUFFLER COVER (LL)	X	1				
309	0110060080	FLANGE BOLT M6X12L		4	*			
309-1	33B5700503	SEAL RUBBER	X	1				
310	33B5710503	GLASS WOOL(M COVER)		1	*			
310-1	33B5710513	GLASS WOOL(M COVER)	<	1	*			
310-2	0110060180	FLANGE BOLT M6X1.0X14DX18L	X	6				
311	33B5710403	GLASS WOOL		1	*			
311-1	0110060080	FLANGE BOLT M6X12L	X	4				
312	34J5732103	SEAL SPONGE(MUF27)		2	*			
312-1	33B5710513	GLASS WOOL(M COVER)	X	1				
313	34G5500101	COVER(RECOIL KNOB)COMPLETE		1	*			
313-1	34G5500111	COVER(RICOIL KNOB)CP	O	1	*			
313-2	33B5710403	GLASS WOOL	X	1				
314	34G5500201	PLATE COMPLETE		1	*			
314-1	34J5732103	SEAL SPONGE(MUF27)	X	2				
315	0043506100	SCREW & WASHER ASS'Y		2	*			
315-1	34G5500111	COVER(RICOIL KNOB)CP	X	1				
316	34J9101713	LABEL(TRADE MARK-R)		1	*			

Please order the parts with part number.

Print Date 27/6/2019

Model No.G4300IS GENERATOR

Item	Parts No.	Description	I/C	Qty	New/Old	Opt. 1	Opt. 2	Note
316-1	34G5500201	PLATE COMPLETE	X	1				
317	34J9201713	LABEL(TRADE MARK-L)		1	*			
317-1	0043506100	SCREW & WASHER ASS'Y	X	2				
318	33B9713213	LABEL (TRADE MARK-RC)		1	*			
318-1	34J9101713	LABEL(TRADE MARK-R)	X	1				
319	34J9610613	LABEL(SPEC)		1	*			
319-1	34J9201713	LABEL(TRADE MARK-L)	X	1				
320	0732005390	LABEL(93DB)		1	*			
320-1	33B9713213	LABEL (TRADE MARK-RC)	X	1				
321	34K9211003	LABEL E-CON		1	*			
321-1	34J9610613	LABEL(SPEC)	X	1				
322	33D5610101	SEPARATOR(A/C)		1	*			
322-1	0732005390	LABEL(93DB)	X	1				
323	33D5610201	SEPARATOR(SEL)		1	*			
323-1	34K9211003	LABEL E-CON	X	1				
324	0110060010	FLANGE BOLT M6X1.0X14DX8L		5	*			
324-1	33D5610101	SEPARATOR(A/C)	X	1				
325	33B5700303	SEAL RUBBER		2	*			
325-1	33D5610201	SEPARATOR(SEL)	X	2				
326	33B5700403	SEAL RUBBER		1	*			
326-1	0110060010	FLANGE BOLT M6X1.0X14DX8L	X	5				
327	34J5720103	SPONGE(TANK)		1	*			
327-1	33B5700303	SEAL RUBBER	X	2				
328	33D6010211	FUEL TANK COMPLETE		1	*			
328-1	33B5700403	SEAL RUBBER	X	1				
329	0430590011	FUEL TANK CAP, COMPLETE		1	*			
329-1	34J5720103	SPONGE(TANK)	X	1				
330	0641540011	FUEL FILTER		1	*			
330-1	33D6010211	FUEL TANK COMPLETE	X	1				
331	0648001500	FUEL GAUGE COMPLETE		1	*			
331-1	0430590011	FUEL TANK CAP, COMPLETE	X	1				
332	0642010300	FUEL STRAINER ASSY		1	*			
D10		INC. 333-336			*			
332-1	0641540011	FUEL FILTER	X	1				
333	0642009320	FILTER		1	*			
333-1	0648001500	FUEL GAUGE COMPLETE	X	1				
334	0642006410	RUBBER PACKING		1	*			
334-1	0642010300	FUEL STRAINER ASSY	X	1				
D10		INC. 335-338						
335	0642007810	CUP		1	*			
335-1	0642009320	FILTER	X	1				

Please order the parts with part number.

Print Date 27/6/2019

Model No.G4300IS GENERATOR

Item	Parts No.	Description	I/C	Qty	New/Old	Opt. 1	Opt. 2	Note
336	0642004790	PAN HEAD SCREW M3X8		2	*			
336-1	0642006410	RUBBER PACKING	X	1				
337	0110060020	FLANGE BOLT M6X1.0X14DX12L		1	*			
337-1	0642007810	CUP	X	1				
338	0851060000	RUBBER PIPE (6DX12D)		1	*			
338-1	0642004790	PAN HEAD SCREW M3X8	X	2				
339	0851070040	RUBBER PIPE TANK-COCK		1	*			
339-1	0110060020	FLANGE BOLT M6X1.0X14DX12L	X	1				
340	2511730203	MESH PROTECTOR		1	*			
340-1	0851060000	RUBBER PIPE (6DX12D)	X	1				
341	0561110020	HOSE CLAMP 11D		2	*			
341-1	0851070040	RUBBER PIPE TANK-COCK	X	1				
342	0561130010	HOSE CLAMP 13D		2	*			
342-1	2511730203	MESH PROTECTOR	X	1				
343	0110060220	FLANGE BOLT		4	*			
343-1	0561110020	HOSE CLAMP 11D	X	2				
344	3913900013	RUBBER (TANK)		4	*			
344-1	0561130010	HOSE CLAMP 13D	X	2				
345	33B9710213	LABEL (CAUTION)		1	*			
345-1	0110060220	FLANGE BOLT	X	4				
346	34G5733103	SPONGE 1		2	*			
346-1	3913900013	RUBBER (TANK)	X	4				
347	34G5733203	SPONGE 2		2	*			
347-1	33B9710213	LABEL (CAUTION)	X	1				
348	34G5733103	SPONGE 1		2				
349	34G5733203	SPONGE 2		2				
350	2773722003	SCREEN		2				
351	2264500103	RETURN SPRING		1				
352	2846244708	WASHER		1				
353	33K4207403	SPRING(DIAL)		1				
354	33K4207103	BALL(DIAL)		1				
355	34G5900803	SPONGE		1				
356	34G6700113	SPONGE		2				
357	34G6700223	SPONGE		4				
A01	27790301H0	ACCESSORY TOOL KIT		1	*			
A01-1	27790301J0	ACCESSORY TOOL KIT	O	1				

Please order the parts with part number.

Print Date 27/6/2019