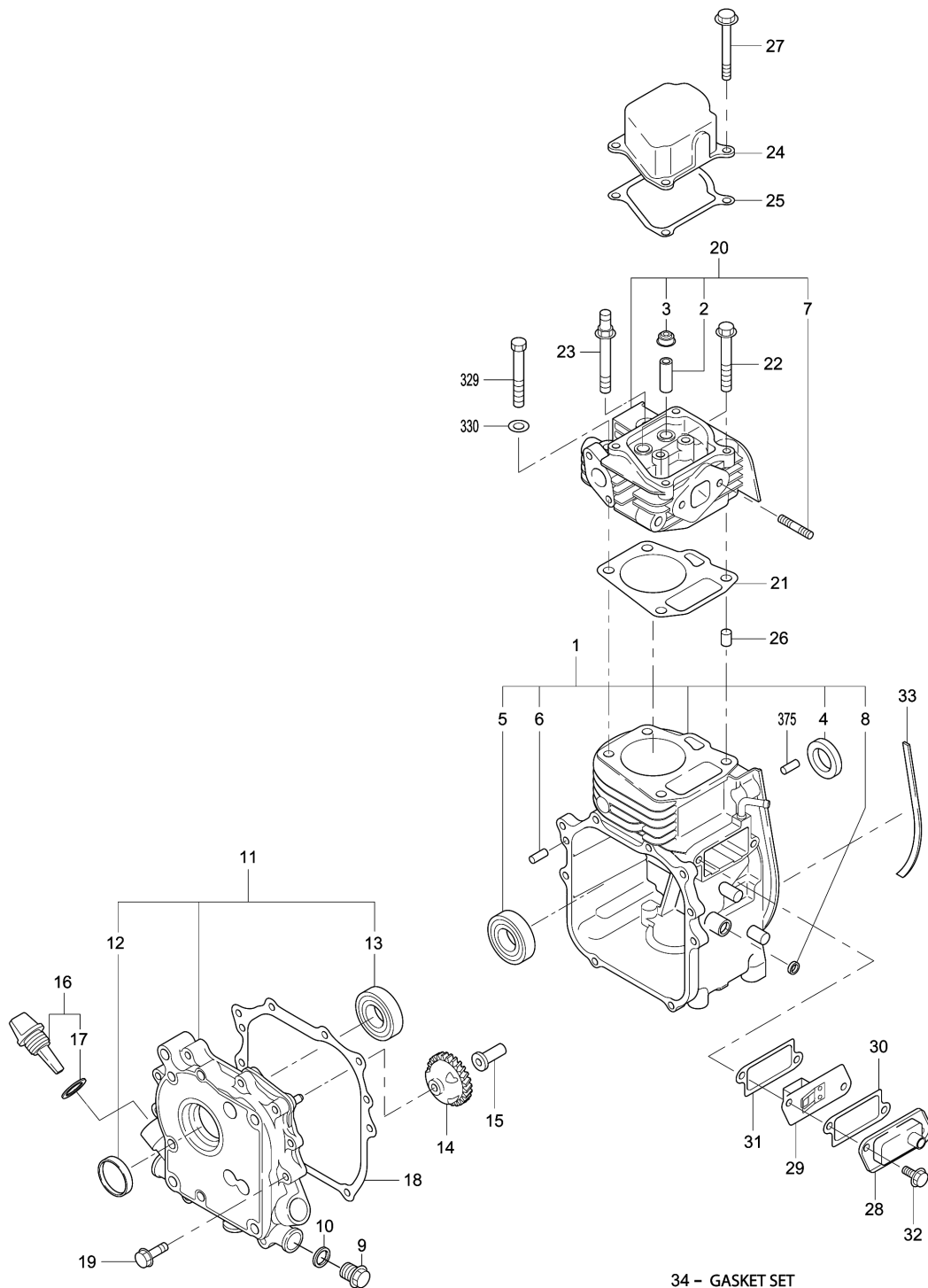


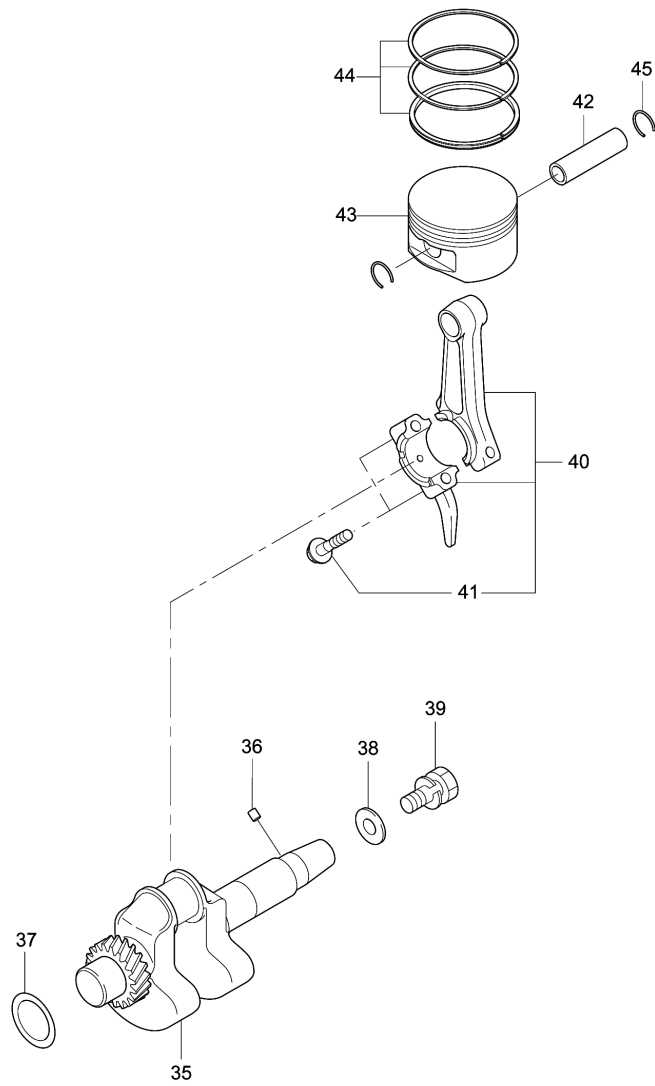
Model No.G1700I GENERATOR



34 - GASKET SET  
 INC.10.17.18.21.25.30.  
 31.66.75.76

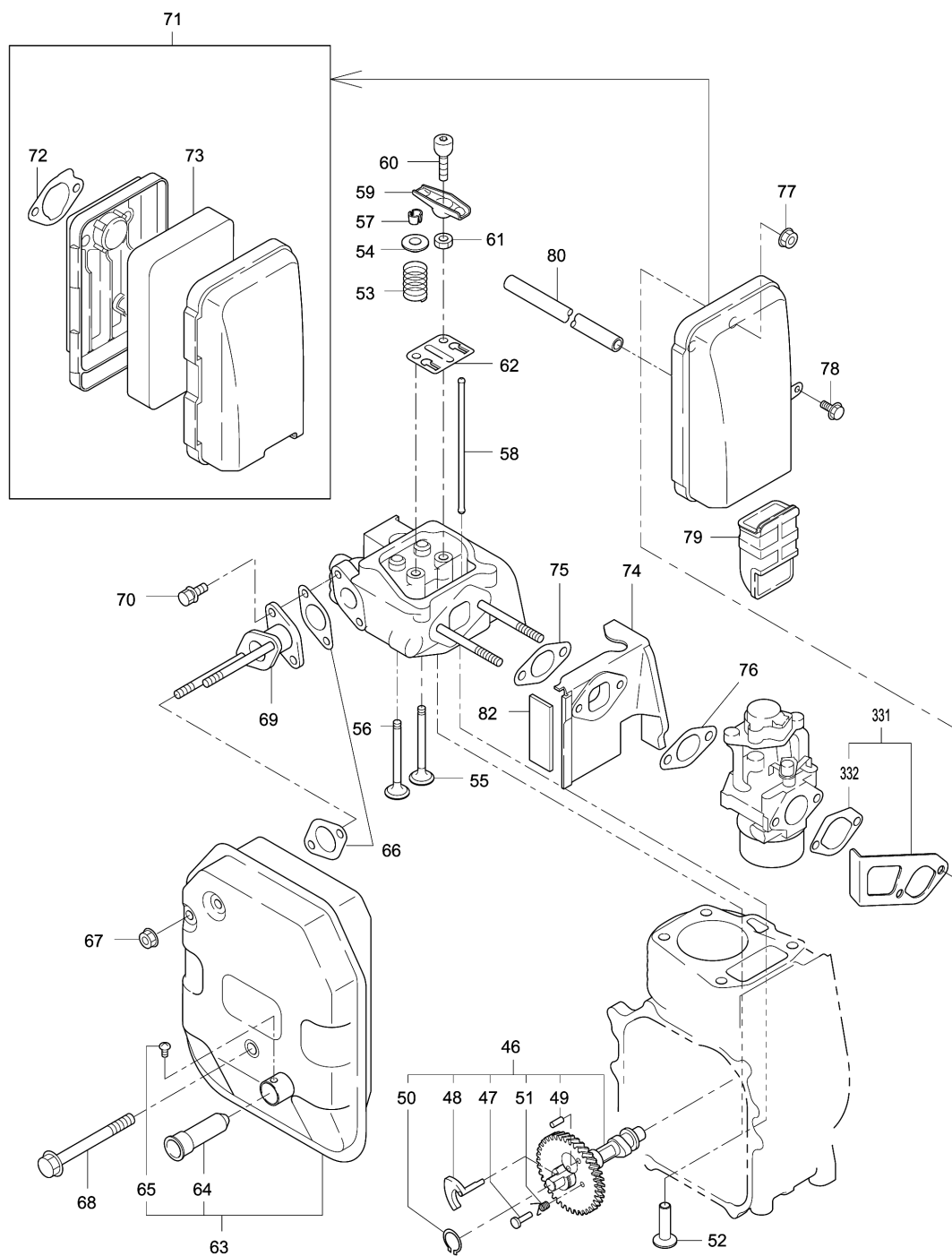


# Model No.G1700I GENERATOR



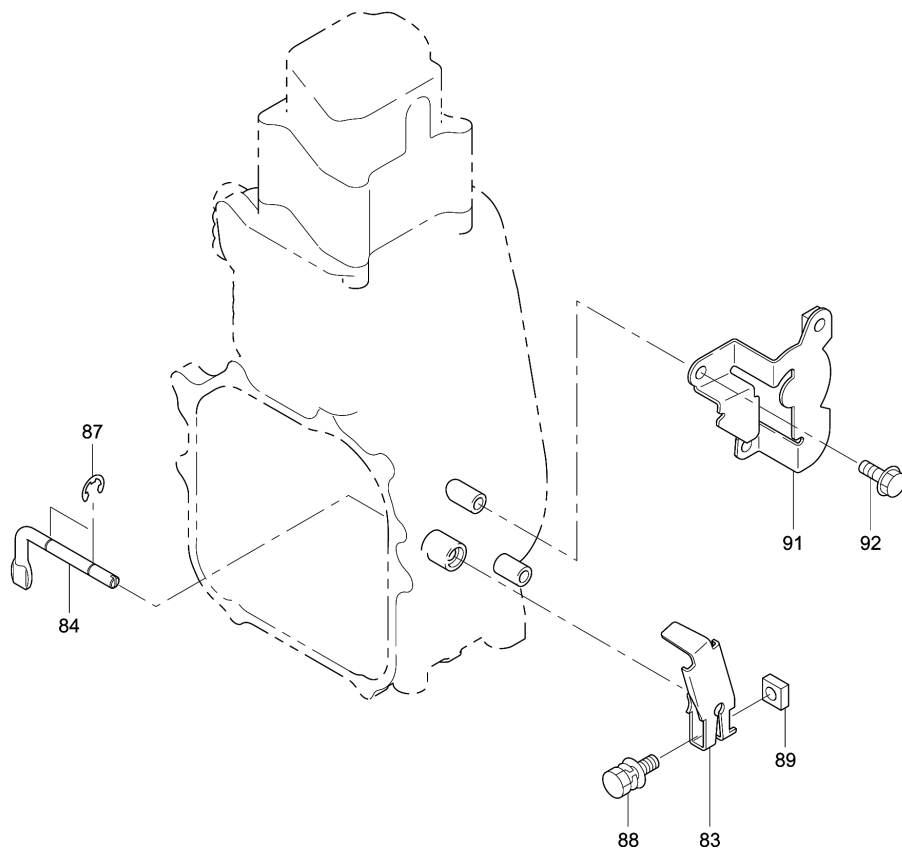


# Model No.G1700I GENERATOR





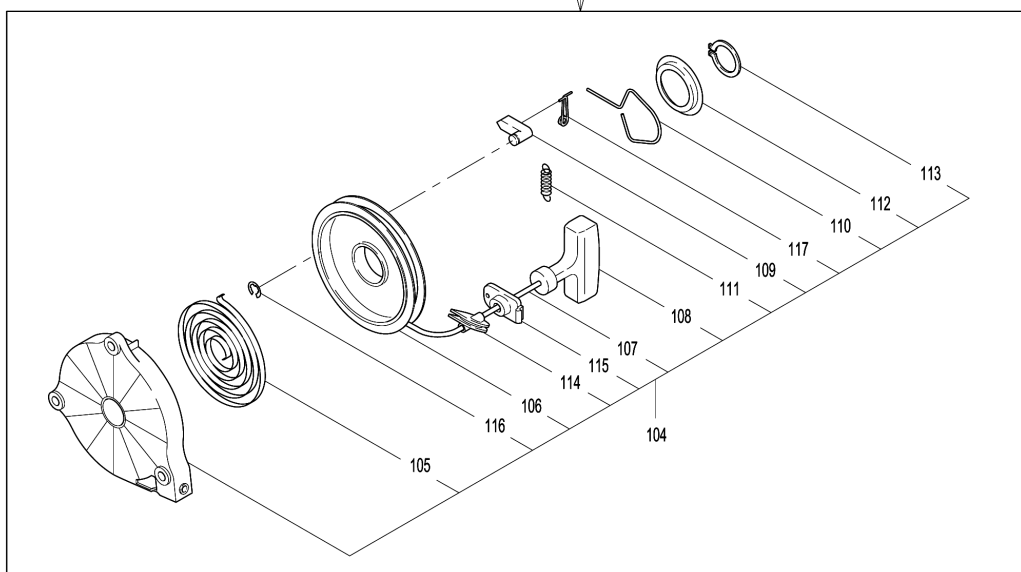
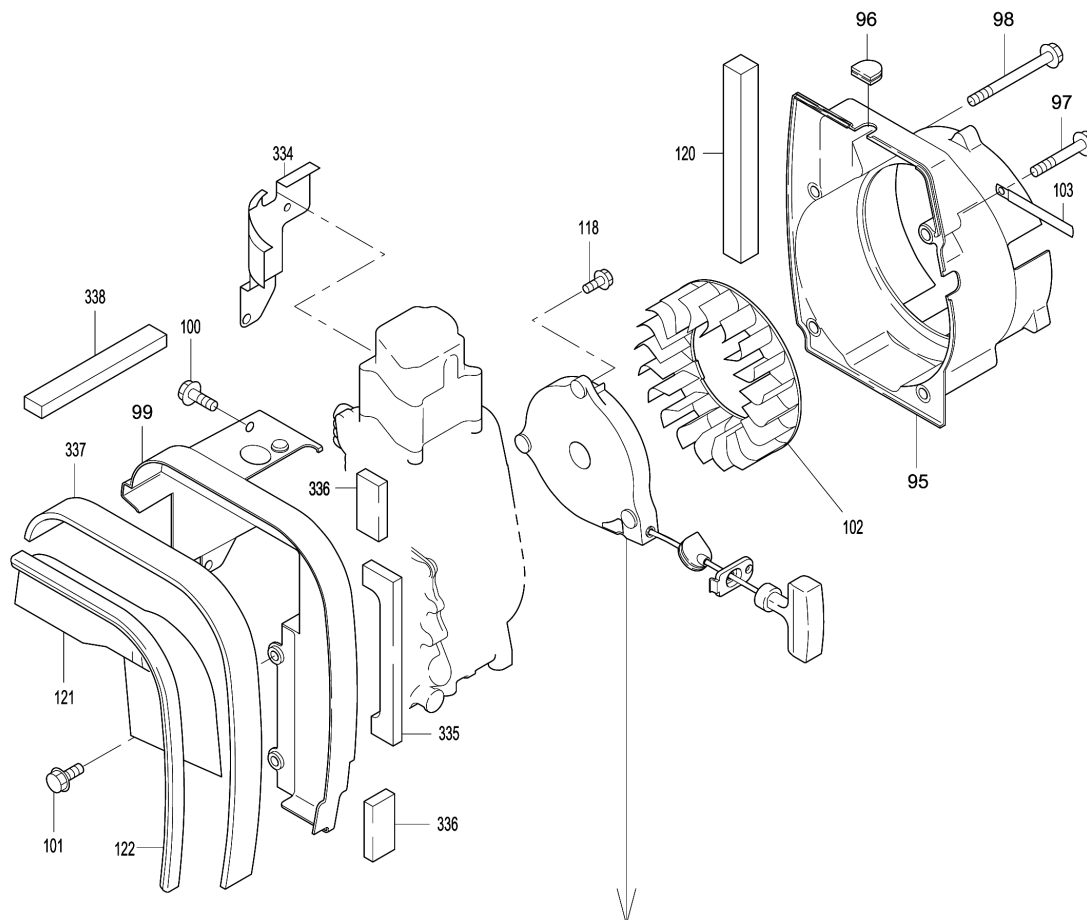
Model No.G1700I GENERATOR





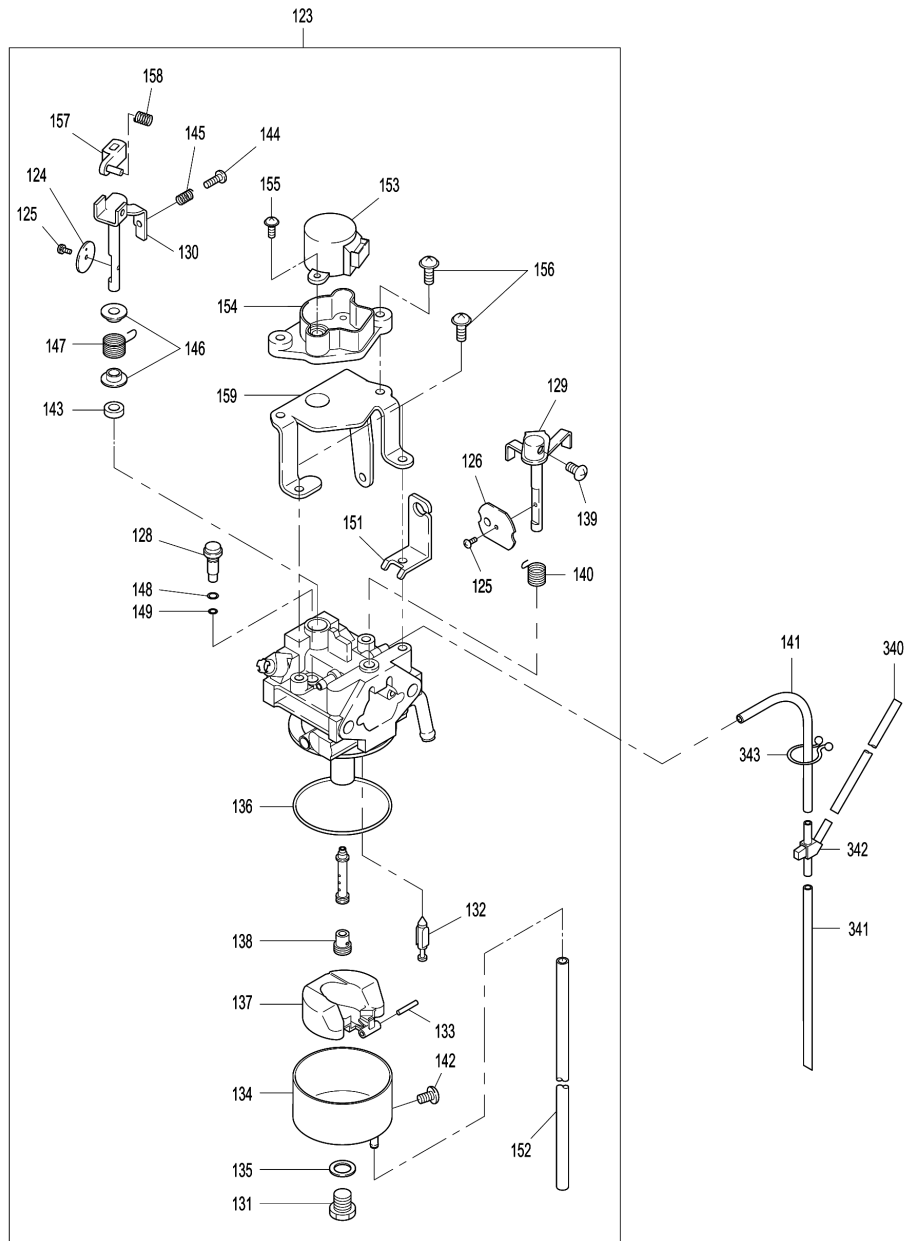


# Model No.G1700I GENERATOR



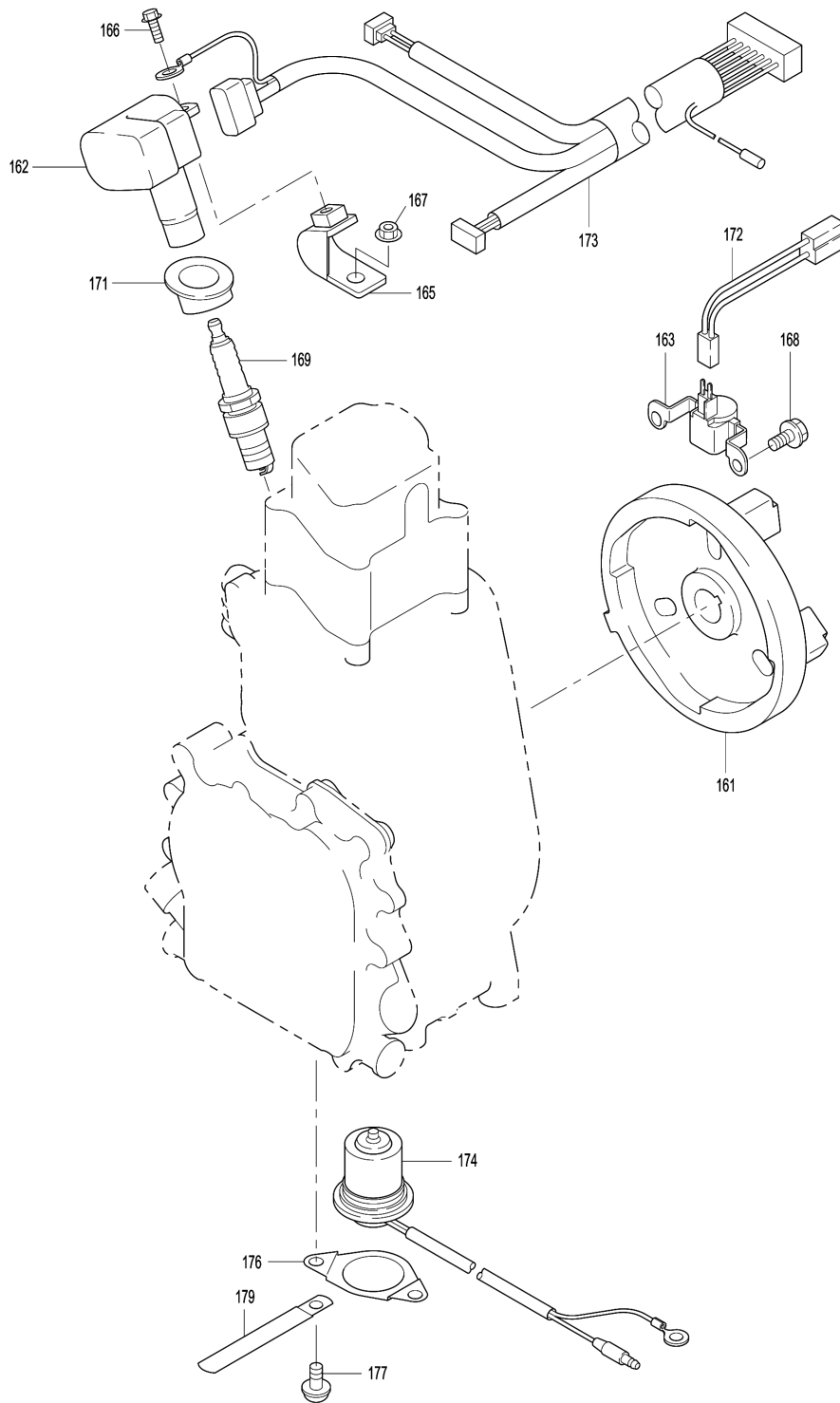


# Model No.G1700I GENERATOR



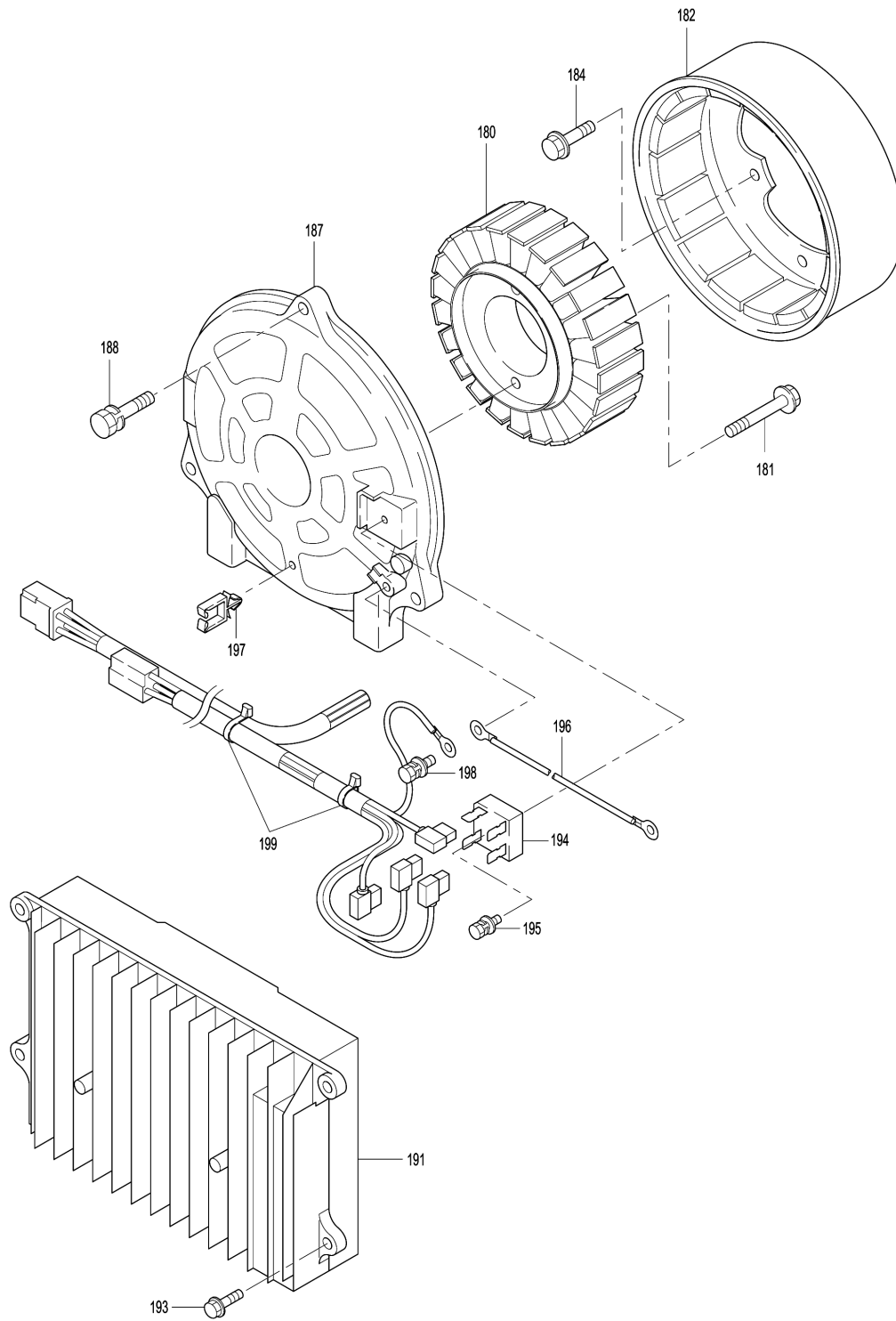


# Model No.G1700I GENERATOR





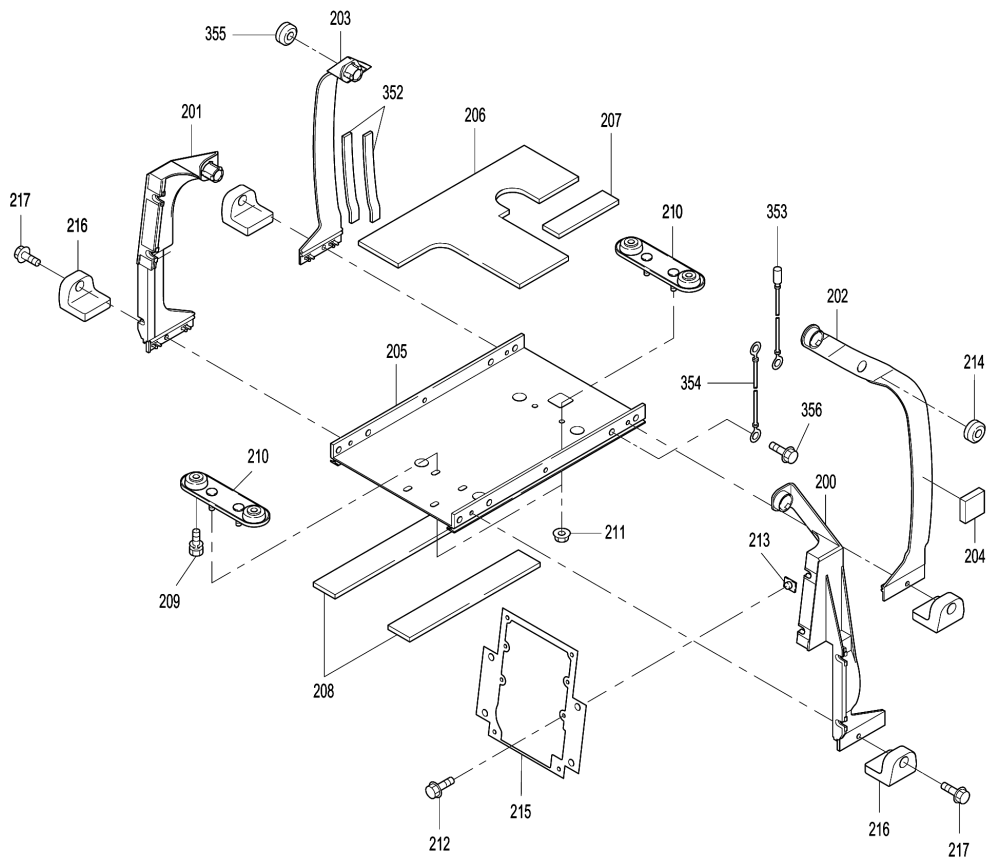
# Model No.G1700I GENERATOR





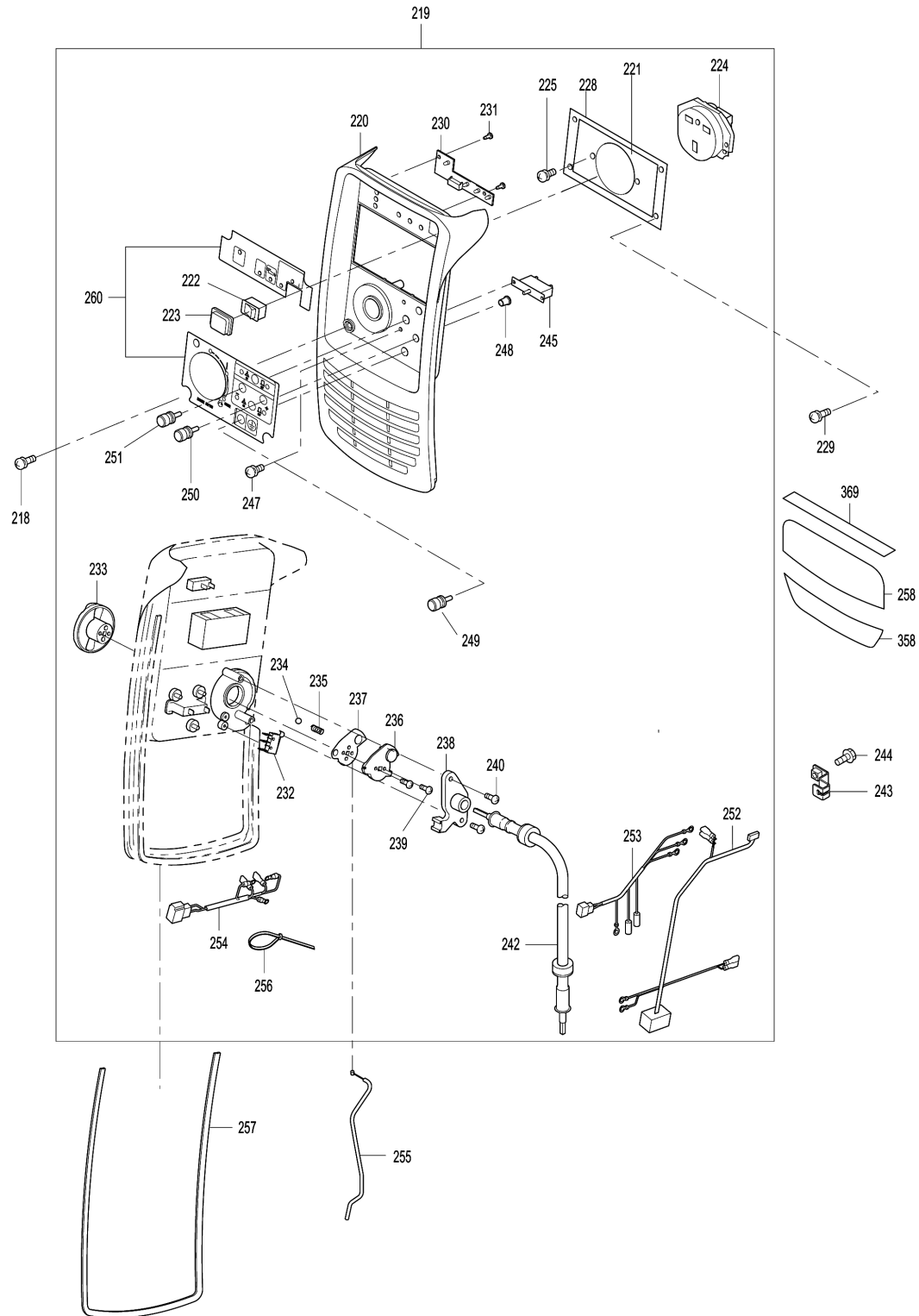


# Model No.G1700I GENERATOR



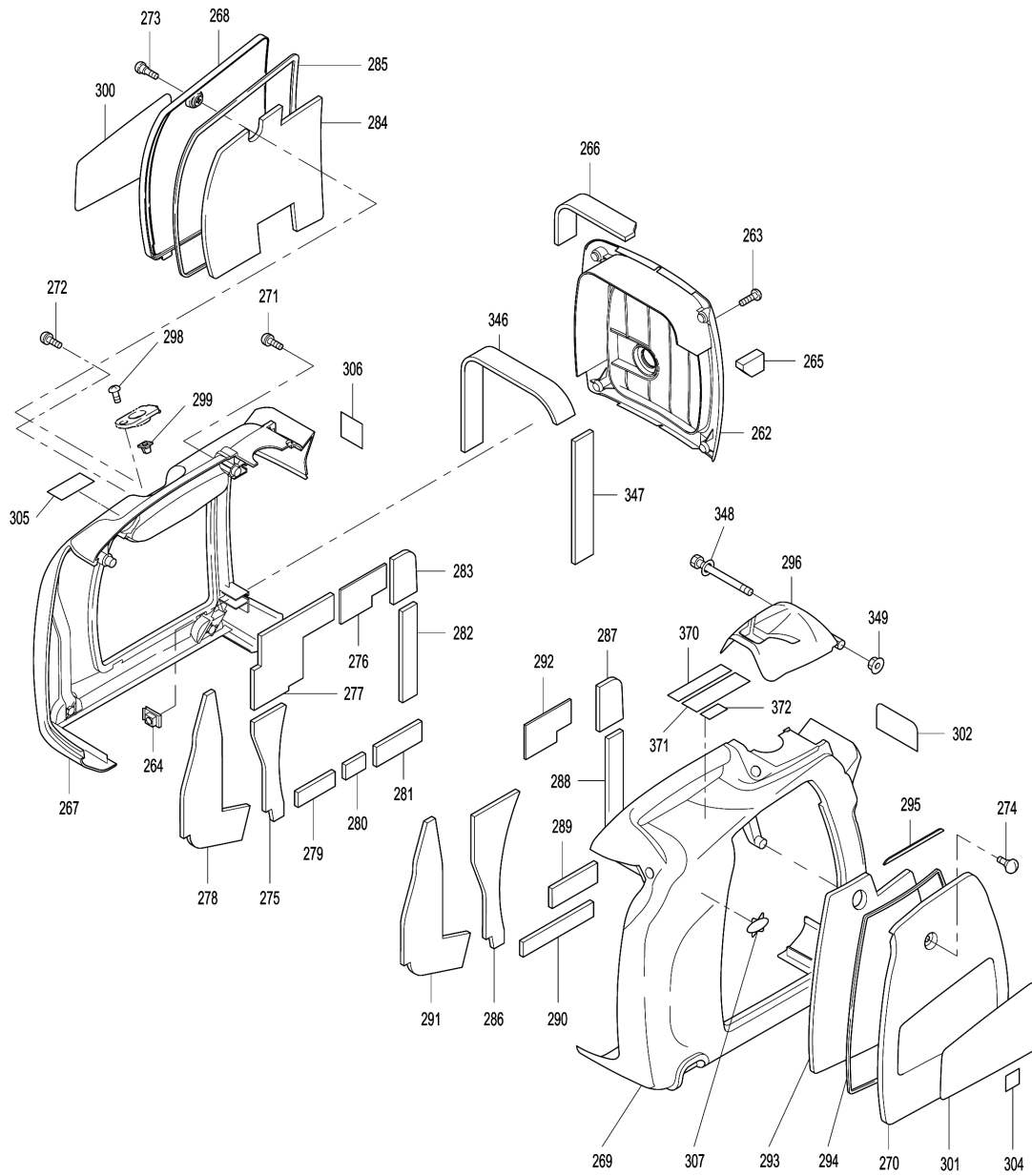


# Model No.G1700I GENERATOR



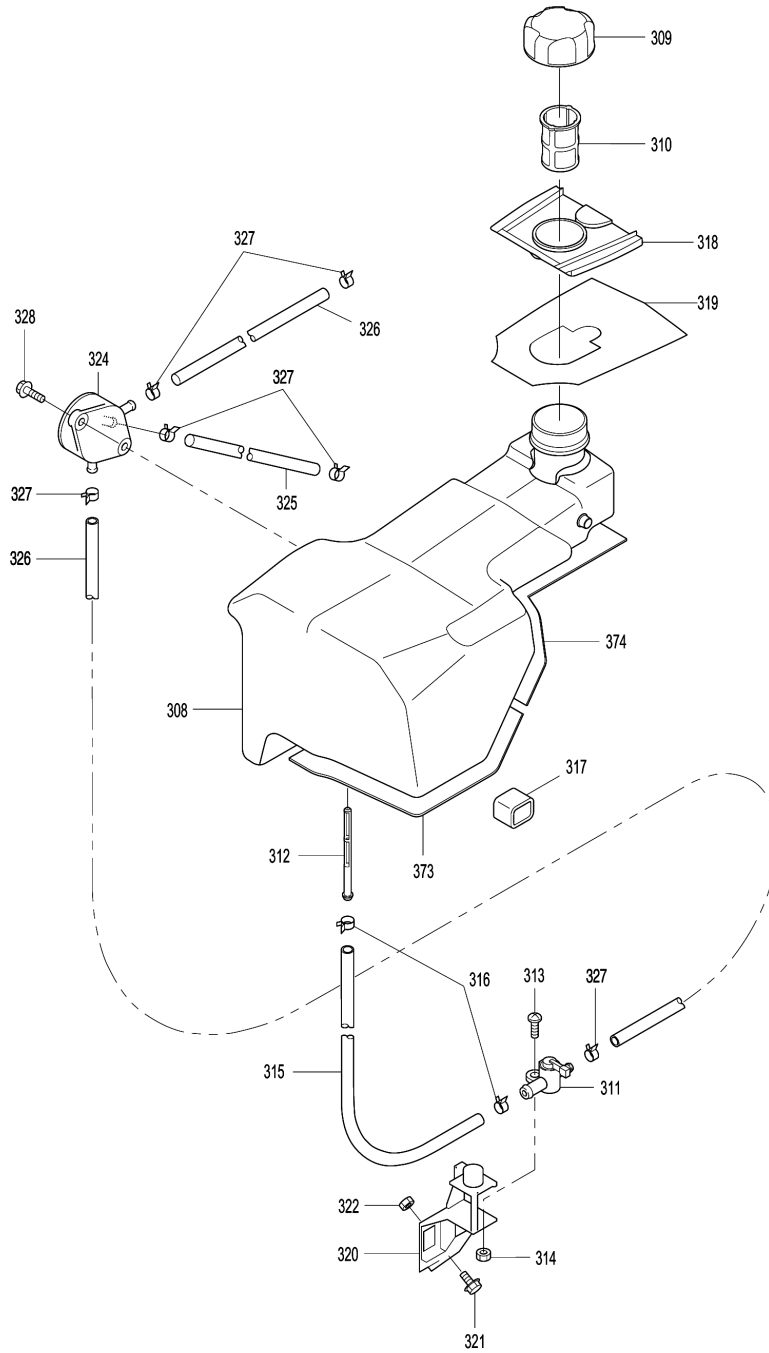


# Model No.G1700I GENERATOR





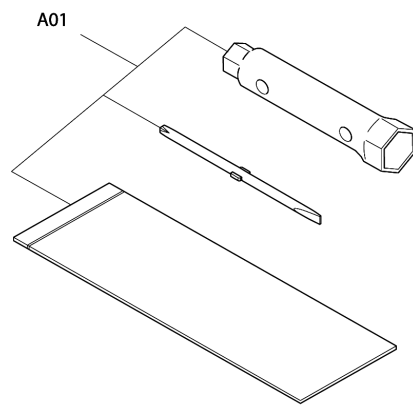
# Model No.G1700I GENERATOR







Model No.G1700I GENERATOR





## Model No.G1700I GENERATOR

Item	Parts No.	Description	I/C	Qty	New/Old	Opt. 1	Opt. 2	Note
001	2841010301	CRANKCASE COMPLETE		1	*			
D10		INC. 4-6,8			*			
001-1	20F1010331	CRANK CASE(CPL.)	O	1				
D10		INC. 4-6,8,375						
002	2371420203	VALVE GUIDE (OVERSIZE)		2				
003	2771601001	STEM SEAL		1				
004	0440200070	OIL SEAL 20X32X6		1				
005	0600200140	BALL BEARING		1				
006	0310060020	DOWEL PIN		2				
007	0105060420	STUD		2				
008	0440060020	OIL SEAL 6DX10DX2.5B		1				
009	0401140030	PLUG		1				
010	0211140020	GASKET		1				
011	2841120101	MAIN BEARING COVER COMPLETE		1	*			
D10		INC. 12,13			*			
011-1	2841120111	MAIN BEARING COVER COMPLETE	X	1	*			
D10		INC. 12,13			*			
011-2	20F1120131	MAIN BEARING COVER COMPLETE	<	1				
D10		INC. 12,13						
012	2301710203	PLUG(RUBBER)		1				
013	0600200140	BALL BEARING		1				
014	2844500301	GOVERNOR GEAR COMPLETE		1				
015	2054190103	GOVERNOR SLEEVE		1				
016	2306360101	OIL GAUGE COMPLETE		1	*			
D10		INC. 17			*			
016-1	2306360111	OIL GAUGE COMPLETE	<	1	*			
D10		INC. 17			*			
016-2	20F6360111	OIL GAUGE COMPLETE	O	1				
D10		INC. 17						
017	0213160020	GASKET 16DX23X1.2T		1	*			
017-1	X213160020	GASKET 16DX23X1.2T	O	1	*			
017-2	2776360108	GASKET	<	1	*			
017-3	0213160020	GASKET 16DX23X1.2T	O	1				
018	2841600303	GASKET(BEARING COVER)		1				
019	0110060101	FLANGE BOLT		8				
020	2841300301	CYLINDER HEAD COMPLETE		1	*			
D10		INC. 2,3,7			*			
020-1	2841300311	CYLINDER HEAD COMPLETE	S	1	*			
D10		INC. 2,3,7			*			
020-2	20F1300311	CYLINDER HEAD COMPLETE	O	1	*			
D10		INC. 2,3,7			*			

Please order the parts with part number.

Print Date 27/6/2019

## Model No.G1700I GENERATOR

Item	Parts No.	Description	I/C	Qty	New/Old	Opt. 1	Opt. 2	Note
020-3	20F1300321	CYLINDER HEAD COMPLETE	<	1				
D10		INC. 2,3,7						
021	2841500103	GASKET(HEAD)		1	*			
021-1	2841500113	GASKET(HEAD)	X	1				
022	0110080210	FLANGE BOLT		3	*			
022-1	0110080210	FLANGE BOLT	X	2				
023	0110080301	FLANGE BOLT		1				
024	2841550103	ROCKER COVER		1				
025	2841600403	GASKET(ROCKER COVER)		1	*			
025-1	2841600703	GASKET(ROCKER COVER)	<	1				
026	2771501103	PIPE KNOCK 10.3DX8.5DX14L		2				
027	0110060420	FLANGE BOLT		4				
028	2841430101	BREATHER COVER COMPLETE		1				
029	2841440101	BREATHER PLATE COMPLETE		1				
030	2301600613	GASKET(TAPPET COVER)		1	*			
030-1	2841600803	GASKET(TAPPET COVER)	<	1				
031	2301600703	GASKET		1				
032	0110060020	FLANGE BOLT M6X1.0X14DX12L		2				
033	33K5831703	SPONGE CRANK		1				
034	2849900207	GASKET SET		1	*			
D10		INC. 10,17,18,21,25,30,31,66,			*			
D20		INC. 75,76			*			
034-1	2849900217	GASKET SET	O	1	*			
D10		INC. 10,17,18,21,25,30,31,66,			*			
D20		INC. 75,76,332			*			
034-2	2849900227	GASKET SET	<	1				
D10		INC. 10,17,18,21,25,30,31,66,						
D20		INC. 75,76,332						
035	2842050101	CRANKSHFT COMPLETE		1	*			
035-1	2842050111	CRANKSHAFT CP	O	1	*			
035-2	2842060101	CRANKSHAFT CP	S	1	*			
035-3	20F2060101	CRANKSHAFT CP	O	1				
036	0310040010	DOWEL PIN		1	*			
036-1	0053203101	WOODRUFF KEY	S	1				
037	0230200100	SPACER T=0.8		1				
037A_	0230200110	SPACER T=1.0		1				
037B_	0230200120	SPACER T=1.2		1				
038	0200080030	WASHER		1	*			
038-1	0200080140	WASHER	O	1	*			
038-2	0200150040	WASHER	S	1				
039	0011108250	BOLT AND WASHER ASS'Y		1	*			

Please order the parts with part number.

Print Date 27/6/2019

## Model No.G1700I GENERATOR

Item	Parts No.	Description	I/C	Qty	New/Old	Opt. 1	Opt. 2	Note
039-1	0011408250	BOLT AND WASHER ASS'Y M8X25	O	1	*			
039-2	0021814000	NUT	S	1				
040	2842250120	CONNECTING ROD ASS'Y		1	*			
D10		INC. 41			*			
040-1	2842250130	CONNECTING ROD ASSY	<	1	*			
D10		INC. 41			*			
040-2	20F2250130	CONNECTING ROD ASSY	<	1				
D10		INC. 41						
041	2842300103	CONNECTING ROD BOLT		2	*			
041-1	20F2300103	CONNECTING ROD BOLT	O	2				
042	2302330103	PISTON PIN		1	*			
042-1	20F2330103	PISTON PIN 8DX11D	<	1				
043	2742340103	PISTON		1	*			
043-1	28423401H3	PISTON	O	1	*			
043-2	20F23401H3	PISTON	O	1				
043A_	2742340203	PISTON 0.25 OVER SIZE		1	*			
043A1	28423402H3	PISTON 0.25 OVER SIZE	O	1	*			
043A2	20F23402H3	PISTON 0.25 OVER SIZE	O	1				
043B_	2742340303	PISTON 0.50 OVER SIZE		1	*			
043B1	28423403H3	PISTON 0.5 OVER SIZE	O	1	*			
043B2	20F23403H3	PISTON 0.5 OVER SIZE	O	1				
044	2842350107	PISTON RING SET STANDARD		1	*			
044-1	2742350107	PISTON RING SET STANDARD	X	1				
044A_	2742350207	PISTON RING SET 0.25 OVER SIZE		1				
044B_	2742350307	PISTON RING SET 0.50 OVER SIZE		1				
045	0565110010	CLIP		2				
046	2843170111	CAMSHAFT COMPLETE		1				
D10		INC. 48-51			*			
D11		INC. 47-51						
047	2273860123	PIN 3.8DX7.5DX14L		1				
048	2843640103	RELEASE LEVER		1				
049	0051904100	SPRING PIN		1				
050	0031517000	OUTER SNAP RING		1	*			
050-1	961057-5	RETAINING RING S-17	O	1				
051	2743870123	RETURN SPRING		1				
052	2743330103	TAPPET		2				
053	2743360103	VALVE SPRING		2				
054	2743370203	SPRING RETAINER		2				
055	2743340103	INTAKE VALVE		1	*			
055-1	28433401H3	INTAKE VALVE	S	1	*			
055-2	20F3340103	INTAKE VALVE	O	1				

Please order the parts with part number.

Print Date 27/6/2019

## Model No.G1700I GENERATOR

Item	Parts No.	Description	I/C	Qty	New/Old	Opt. 1	Opt. 2	Note
056	2743350103	EXHAUST VALVE		1	*			
056-1	28433501H3	EXHAUST VALVE	S	1	*			
056-2	20F3350203	EXHAUST VALVE	O	1				
057	13210KA031	COLLET VALVE		4				
058	2743530103	PUSH ROD		2	*			
058-1	20F3530103	PUSH ROD	O	2				
059	2743600303	ROCKER ARM		2	*			
059-1	20F3600113	ROCKER ARM	O	2				
060	2693580103	BOLT (PIVOT)		2				
061	0170060090	601106X0.75X5.1H		2				
062	2743650103	GUIDE PLATE		1				
063	2843020100	MUFFLER ASS'Y		1	*			
D10		INC. 64,65			*			
063-1	2843020110	MUFFLER ASS'Y	X	1	*			
D10		INC. 64,65			*			
063-2	2843020120	MUFFLER ASSY	O	1				
D10		INC. 64,65						
064	2693760101	SPARK ARRESTER COMPLETE		1				
065	0150040060	TAPPING SCREW M4X6L		1				
066	2303520401	GASKET COMPLETE(EXHAUST)		2				
067	0023806000	FLANGE NUT M6		2	*			
067-1	0180060030	FLANGE NUT M6	X	2				
068	0110080110	FLANGE BOLT M8X1.25X80L		1				
069	2843410103	EXHAUST PIPE		1	*			
069-1	2843410113	EXHAUST PIPE	O	1				
070	0119060020	BOLT(SOCKET HEAD)		2	*			
070-1	0011406160	BOLT & WASHER ASS'Y	X	2				
071	2843263000	AIR CLEANER ASS'Y		1				
D10		INC. 72,73						
072	2273600413	GASKET		1				
073	2843263108	ELEMENT		1				
074	2843290303	INSULATOR		1				
075	2823590103	GASKET		1	*			
075-1	2273590203	GASKET 2, INSULATOR	X	1				
076	2363590303	GASKET 2 (INSULATOR)		1	*			
076-1	1573500103	GASKET(INSULATOR)	X	1				
077	0023806000	FLANGE NUT M6		2				
078	0110060180	FLANGE BOLT M6X1.0X14DX18L		1				
079	2843210103	DUCT		1				
080	0851080000	RUBBER PIPE (8DX11D)		1				
081	33K5831503	SPONGE INS		1	*			

Please order the parts with part number.

Print Date 27/6/2019

## Model No.G1700I GENERATOR

Item	Parts No.	Description	I/C	Qty	New/Old	Opt. 1	Opt. 2	Note
081-1	33K5831513	SPONGE INS	X	1				
082	33K5832103	SPONGE INS 2		1	*			
082-1	33K5832113	SPONGE INS 2	X	1				
083	2844230503	GOVERNOR LEVER		1				
084	2304220103	GOVERNOR SHAFT		1				
087	0031305000	CLIP		2				
088	0011406250	BOLT & WASHER ASS'Y		1				
089	0186060020	NUT M6X1.0X4.9H		1				
091	2844600303	CONTROL BRACKET		1				
092	0110060010	FLANGE BOLT M6X1.0X14DX8L		2				
095	2845120103	BLOWER HOUSING		1				
096	2845550103	GROMMET		1				
097	0110080160	FLANGE BOLT		1				
098	0110080302	FLANGE BOLT		3				
099	2845360101	CYLINDER BAFFLE COMPLETE		1				
100	0010308160	FLANGE BOLT		3	*			
100-1	0010306120	FLANGE BOLT	X	1	*			
100-2	0110060440	FLANGE BOLT	O	1				
101	0010306120	FLANGE BOLT		1	*			
101-1	0110080150	FLANGE BOLT M8X12L	X	3				
102	2845420103	COOLING FAN		1	*			
102-1	2845420113	COOLING FAN	X	1				
103	0566000260	CLAMP		1				
104	2845022100	RECOIL STATER ASS'Y		1	*			
D10		INC. 105-117			*			
104-1	2845022110	RECOIL ASSY	O	1	*			
D10		INC. 105-117			*			
104-2	2845022120	RECOIL ASSY	<	1				
D10		INC. 105-117						
105	2845022408	SPIRAL SPRING		1				
106	2845022208	REEL		1				
107	2845023308	ROPE		1				
108	5305002110	STARTER KNOB		1	*			
108-1	20F5010018	STARTER KNOB COMPLETE	<	1				
109	2845022308	RACHET		1				
110	2845022608	FRICTION SPRING		1				
111	2845022708	RETURN SPRING		1				
112	2845022508	FRICTION PLATE		1	*			
112-1	2845022518	FRICTION PLATE	O	1				
113	2845023108	RETAINING RING C TYP		1				
114	2845610103	ROPE GUIDE		1				

Please order the parts with part number.

Print Date 27/6/2019

## Model No.G1700I GENERATOR

Item	Parts No.	Description	I/C	Qty	New/Old	Opt. 1	Opt. 2	Note
115	33K5300103	GUIDE COMPLETE		1				
116	2845022908	RETAINING RING E TYP		1				
117	2845022808	RACHET GUIDE		1				
118	0110060140	FLANGE BOLT M6X18L		3				
119	34K4010203	SEAL PLATE 45X120X2		2				
120	33K5831203	SPONGE BAFFLE		1	*			
120-1	2845120303	SEAL SPONGE B/H	X	1				
121	33K5831303	SPONGE BAFFLE 2		1	*			
121-1	2845360613	INSULATION SEAT B1	X	1	*			
121-2	2845360623	INSULATION SEAT B1	O	1				
122	2845360503	SEAL RUBBER		1				
123	2846230200	CARBURETOR ASSY		1	*			
D10		INC. 124-160			*			
123-1	2846230230	CARBURETOR ASSY	<	1	*			
D10		INC. 124-160			*			
123-2	2846230240	CARBURETOR ASSY	<	1				
D10		INC. 124-160						
124	2846253508	THROTTLE VALVE		1				
125	2846245508	SCREW		1				
126	2846252508	CHOKE VALVE		1	*			
127	2846245508	SCREW		1				
128	2846242008	SLOW JET		1				
129	2846252008	CHOKE LEVER		1				
130	2846253108	THROTTLE SHAFT ASSY		1				
131	2846235508	BOLT		1				
132	2796250008	VALVE ASSEMBLY,NEEDLE		1				
133	2846251508	PIN		1				
134	2846255008	FLOAT BODY		1				
135	2516235008	GASKET		1				
136	2846254008	CHAMBER PACKING		1				
137	2846250508	FLOAT ASSY		1				
138	2846240008	MAIN JET		1				
139	2846245608	SCREW		1				
140	2846244508	SPRING(CHOKE)		1				
141	2846256508	VINYL PIPE		1				
142	2516266108	SCREW(DRAIN)		1				
143	2516255908	BUSH		1				
144	2846235308	AJUST SCREW		1				
145	2796244508	SPRING		1				
146	2846256108	COLLAR		2				
147	2846231508	SPRING(THROTTLE)		1				
148	2846245108	O RING		1				

Please order the parts with part number.

Print Date 27/6/2019



## Model No.G1700I GENERATOR

Item	Parts No.	Description	I/C	Qty	New/Old	Opt. 1	Opt. 2	Note
149	2846245008	O RING		1				
151	2846257008	BRACKET(WIRE)		1				
152	2846256608	VINYL PIPE		1	*			
152-1	2846256618	VINYL PIPE	<	1				
153	2846258008	MOTOR		1				
154	2846257608	BRACKET(MOTOR)		1				
155	2846245808	SCREW		2				
156	2846245708	SCREW		2				
157	2846255508	JOINT LEVER		1				
158	2846244608	SPRING		1				
159	2846257508	BRACKET		1				
160	2846245708	SCREW		3				
161	2847935001	FLYWHEEL COMPLETE		1	*			
161-1	2847935011	FLYWHEEL COMPLETE	O	1	*			
161-2	2847935021	FLYWHEEL COMPLETE	O	1	*			
161-3	2847935031	FLYWHEEL	S	1				
162	2847953001	IGNITION COIL COMPLETE		1				
163	2847954001	PULSER COIL COMPLETE		1				
165	2847956103	IGNITION COIL BRACKET		1	*			
165-1	2847956101	IGNITION COIL BRACKET	X	1				
167	0023808000	FLANGE NUT		1				
168	0110060010	FLANGE BOLT M6X1.0X14DX8L		2				
169	0650140380	SPARK PLUG NGK BMR4A		1				
171	2847550103	GROMMET, PLUG		1				
172	2847958103	PULSER COIL HARNESS		1				
173	34K2110103	ENGINE HARNESS		1	*			
173-1	34K2110123	ENGINE HARNESS	<	1				
174	2307630111	OIL SENSOR		1				
176	2307580103	SENSOR RETAINER		1				
177	0043506100	SCREW & WASHER ASS'Y		2				
179	0566030010	CLAMP FOR STOP BUTTON		1	*			
179-1	2267510103	CLAMP	X	1				
180	34K2105101	STATOR COMPLETE		1				
181	0110060101	FLANGE BOLT		2	*			
181-1	34K2090208	FLANGE BOLT	X	2				
182	34K2006101	ROTOR COMPLETE		1				
184	0010406120	FLANGE BOLT		3				
187	34K2090108	REAR COVER		1				
188	0110060101	FLANGE BOLT		3				
191	KU31070101	INVERTER UNIT ASS'Y		1	*			
191-1	KU31070121	INVERTER UNIT ASS'Y	X	1	*			
191-2	KU31070131	INVERTER UNIT ASS'Y	O	1	*			

Please order the parts with part number.

Print Date 27/6/2019

## Model No.G1700I GENERATOR

Item	Parts No.	Description	I/C	Qty	New/Old	Opt. 1	Opt. 2	Note
191-3	KU51200401	INVERTER UNIT ASS'Y	<	1	*			
191-4	KU51203401	INVERTER UNIT ASS'Y	S	1	*			
191-5	KU51203411	INVERTER UNIT ASS'Y	<	1				
193	0110060020	FLANGE BOLT M6X1.0X14DX12L		4	*			
193-1	0110060140	FLANGE BOLT M6X18L	X	4				
194	34K2090308	RECTIFIER		1				
195	34K2090408	SCREW		1				
196	34K4190203	EARTH WIRE COMPLETE		1				
197	34K2090608	CLAMP		1				
198	34K2090508	SCREW		1				
199	34K2090708	BAND		2				
200	33K3710103	FRONT FRAME(R)		1				
201	33K3720103	FRONT FRAME(L)		1				
202	33K3730103	REAR FRAME(R)		1				
203	33K3740103	REAR FRAME(L)		1				
204	33K5841303	SPONGE REAR FRAME 35X35X10		1				
205	34K3060103	BASE,INV		1	*			
205-1	34K3060113	BASE,INV	X	1	*			
205-2	34K3060123	BASE,INV	O	1	*			
205-3	34K3060223	BASE,INV	<	1				
206	33K5831003	SPONGE BASE		1				
207	33K5831103	SPONGE BASE 2 30X110X20		1				
208	33K5832003	SPONGE BASE 3 40X240X1.5		2				
209	0011408200	BOLT & WASHER ASS'Y		4				
210	33K3010101	MOUNT BASE COMPLETE		2				
211	0023806000	FLANGE NUT M6		4				
212	0110060020	FLANGE BOLT M6X1.0X14DX12L		4				
213	33K3800103	NUT		8				
214	33K3800503	GROMMET(REAR FRAME)		2				
215	33K3760103	BACK PANEL COMPLETE		1				
216	33K3610101	MOUNT COMPLETE		4				
217	0110060180	FLANGE BOLT M6X1.0X14DX18L		4				
218	0140050100	SCREW		4				
219	34K4802100	CONTROL PANEL ASS'Y		1	*			
D10		INC. 220-226,228,230-239,241			*			
D20		INC. 242,245,247-254,256,260			*			
D30		INC. 261			*			
219-1	34K4802110	CONTROL PANEL ASS'Y	X	1	*			
D10		INC. 220-226,228,230-239,241			*			
D20		INC. 242,245,247-254,256,260			*			

Please order the parts with part number.

Print Date 27/6/2019

## Model No.G1700I GENERATOR

Item	Parts No.	Description	I/C	Qty	New/Old	Opt. 1	Opt. 2	Note
D30		INC. 261			*			
219-2	34K4802130	CONTROL PANEL ASS'Y	O	1	*			
D10		INC. 220-226,228,230-239,241			*			
D20		INC. 242,245,247-254,256,260			*			
D30		INC. 261			*			
219-3	34K4802140	CONTROL PANEL ASS'Y	O	1	*			
D10		INC. 220-226,228,230-239,241			*			
D20		INC. 242,245,247-254,256,260			*			
D30		INC. 261			*			
219-4	34K4802150	CONTROL PANEL ASS'Y	<	1				
D10		INC. 220-226,228,230-239,241						
D20		INC. 242,245,247-254,256,260						
D30		INC. 261						
220	33K4010103	FRONT PANEL		1	*			
220-1	33K4010113	FRONT PANEL	<	1				
221	33K4890203	FILM		1				
222	34K4181203	ROCKER SWITCH		1	*			
222-1	33B4000708	ROCKER SWITCH	O	1				
223	34K4181303	SWITCH COVER		1				
224	3584062108	AC RECEPTACLE F/GERMAN TYPE		2				
225	0043603120	SCREW & WASHER ASS'Y		8				
226	0021703000	NUT(M5)		8				
228	33K4070303	CONSENT BRACKET		1	*			
228-1	33K4070923	CONSENT BRACKET	<	1				
229	0131040060	SCREW AND WASHER ASS'Y		4				
230	KD31100101	LED INDICATOR COMPLETE		1	*			
230-1	KD31100111	LED INDICATOR CP	<	1				
231	0150030020	TAPPING SCREW		2				
232	33K4181103	MICRO SWITCH		1	*			
232-1	33K4181203	MICRO SWITCH	O	1				
233	33K4201003	CONTROL DIAL		1				
234	33K4207103	BALL(DIAL)		1				
235	33K4207303	SPRING(DIAL)		1	*			
235-1	33K4207403	SPRING(DIAL)	O	1				
236	33K4202003	CHOKE REEL		1				
237	33K4203003	PLATE		1	*			
237-1	33K4203013	PLATE	X	1	*			
237-2	33K4203023	PLATE	O	1				
238	33K4204003	WIRE PLATE		1				
239	0150030010	TAPPING SCREW		2	*			
239-1	0150040070	TAPPING SCREW	X	2				
240	0150040090	TAPPING SCREW 4X12		2	*			

Please order the parts with part number.

Print Date 27/6/2019

## Model No.G1700I GENERATOR

Item	Parts No.	Description	I/C	Qty	New/Old	Opt. 1	Opt. 2	Note
240-1	33K4181408	TAPPING SCREW M3X16L	X	2	*			
240-2	33B4000108	TAPPING SCREW	O	2				
242	33K4205001	ROLLING WIRE COMPLETE		1	*			
242-1	33K4205011	ROLLING WIRE COMPLETE	X	1				
243	33K4208003	CHOKE BRACKET		1				
244	0110060010	FLANGE BOLT M6X1.0X14DX8L		1				
245	3524562008	CIRCUIT BREAKER (DC) 10A		1				
247	0131030010	SCREW AND WASHER ASS'Y		4				
248	33K4181703	BREAKER CAP		2				
249	33K4209001	TERMINAL BOLT BLACK/RED		1	*			
249-1	33K4209001	TERMINAL BOLT BLACK/RED	X	1				
250	3634570108	TERMINAL BOLT (RED)		1				
251	3634570008	TERMINAL BOLT (BLACK)		1				
252	34K4181703	PANEL HARNESS		1	*			
252-1	34K4181713	PANEL HARNESS	O	1				
253	34K4181503	CONCENT HARNESS		1				
254	34K4181603	DC OUT HARNESS		1	*			
254-1	34K4181613	DC OUT HARNESS	O	1				
255	33K4206001	CHOKE WIRE COMPLETE		1	*			
255-1	33K4206011	CHOKE WIRE COMPLETE	X	1	*			
255-2	33K4206021	CHOKE WIRE COMPLETE	O	1				
256	0563000020	WIRE BAND		4				
257	33K5841103	SEAL SPONGE F 4.5X650X2.5		1				
258	34K9210603	LABEL(FRONT)		1	*			
258-1	34K9210613	LABEL(FRONT)	X	1				
260	34K4188303	FILM INVERTER		1				
261	0732004490	LABEL(ELECTRIC SHOKE)		1				
262	33K5020103	REAR COVER		1	*			
262-1	33K5020110	REAR COVER COMPLETE	<	1				
D10		INC. 265,266,346,347						
263	0131060030	SCREW AND WASHER ASS'Y		4				
264	33K5020503	NUT		4	*			
264-1	33K5020501	NUT COMPLETE	X	4				
265	33K5831803	REAR COVER SPONGE 1		2	*			
265-1	33K5831813	REAR COVER SPONGE 1	X	2				
266	33K5831903	REAR COVER SPONGE 2		1	*			
266-1	33K5831913	REAR COVER SPONGE 2	X	1				
267	33K5130103	CASE BODY R		1	*			
267-1	33K5130113	CASE BODY L	X	1	*			
267-2	33K5130221	CASE BODY L COMPLETE	<	1				
D10		INC. 275-283						
268	33K5131103	SIDE PANEL L		1	*			

Please order the parts with part number.

Print Date 27/6/2019

## Model No.G1700I GENERATOR

Item	Parts No.	Description	I/C	Qty	New/Old	Opt. 1	Opt. 2	Note
268-1	33K5131101	SIDE PANEL L	<	1				
D10		INC. 284,285						
269	33K5140103	CASE BODY L		1	*			
269-1	33K5140113	CASE BODY R	X	1	*			
269-2	33K5140221	CASE BODY R CPL.	<	1				
D10		INC. 286-292						
270	33K5141103	SIDE PANEL R		1	*			
270-1	33K5141101	SIDE PANEL R	<	1				
D10		INC. 293-295						
271	0043606250	SCREW AND WASHER ASS'Y		2				
272	0043606200	SCREW M6X20		1	*			
272-1	265584-7	HEX SOCKET HEAD BOLT M6X20 WR	O	1				
273	33K5050103	BOLT(PANEL)		1				
274	33K5050103	BOLT(PANEL)		1				
275	33K5830103	SPONGE CASE L		1				
276	33K5830703	SPONGE CASE L 5		1				
277	33K5830503	SPONGE CASE L 3		1	*			
277-1	33K5830513	SPONGE CASE L 3	O	1				
278	33K5830403	SPONGE CASE L 2		1	*			
278-1	33K5830403	SPONGE CASE L 2	O	1				
279	33K5830803	SPONGE CASE L 6 35X102X20		1				
280	33K5830903	SPONGE CASE L 7 35X55X20		1				
281	33K5840803	SPONGE CASE R 6 125X47X10		1				
282	33K5840903	SPONGE CASE R 7 217X40X10		1				
283	33K5830603	SPONGE CASE L 4		1				
284	33K5830203	SPONGE PANEL L		1				
285	33K5830303	SEAL SPONGE L 2.5X5X920		1				
286	33K5840103	SPONGE CASE R		1				
287	33K5840603	SPONGE CASE R 4		1				
288	33K5840903	SPONGE CASE R 7 217X40X10		1				
289	33K5840803	SPONGE CASE R 6 125X47X10		1				
290	33K5840703	SPONGE CASE R 5 35X194X20		1				
291	33K5840403	SPONGE CASE R 2		1				
292	33K5840503	SPONGE CASE R 3		1	*			
292-1	33K5840513	SPONGE CASE R 3	O	1				
293	33K5840203	SPONGE PANEL R		1				
294	33K5840303	SEAL SPONGE R 2.5X5X860		1				
295	33K5841003	SEAL SPONGE R 2		1				
296	33K5510103	TANK CAP COVER		1	*			
296-1	33K5510113	TANK CAP COVER	X	1				
297	0031306000	CLIP		1	*			
298	0150040090	TAPPING SCREW 4X12		1				

Please order the parts with part number.

Print Date 27/6/2019

## Model No.G1700I GENERATOR

Item	Parts No.	Description	I/C	Qty	New/Old	Opt. 1	Opt. 2	Note
299	33K5300203	SCREW GROMMET		1				
300	34K9210503	LABEL(MODEL)R		1	*			
300-1	34K9210513	LABEL(MODEL)L	X	1	*			
300-2	34K9210523	LABEL(MODEL)L	O	1				
301	34K9210403	LABEL(MODEL)L		1	*			
301-1	34K9210413	LABEL(MODEL)R	X	1	*			
301-2	34K9210423	LABEL(MODEL)R	O	1				
302	34K9160803	LABEL SPEC 40X90		1	*			
302-1	34K9160823	LABEL SPEC 40X90	X	1	*			
302-2	34K9160833	LABEL SPEC 40X90	X	1				
304	0732004520	OIL CAUTION LABEL		1				
305	0732004510	LABEL(SYMBOL-TANK)		1				
306	0732004500	LABEL(HOT&GAS)		1				
307	34K9211003	LABEL E-CON		1	*			
307-1	34K9211013	LABEL E-CON	X	1				
308	33K6110102	FUEL TANK UNIT		1	*			
308-1	33K6110112	FUEL TANK UNIT	O	1	*			
308-2	33K6110122	FUEL TANK UN	<	1	*			
308-3	33K6110132	FUEL TANK UN	<	1				
309	33K6500101	FUEL TANK CAP COMPLETE		1	*			
309-1	33K6501000	FUEL TANK CAP COMPLETE	O	1				
310	33K61201H1	FUEL FILTER COMPLETE		1	*			
310-1	33K61201J1	FUEL FILTER COMPLETE	X	1				
311	33K6300100	FUEL COCK ASS'Y		1	*			
311-1	33K6300110	FUEL COCK ASS'Y	X	1				
312	33K6140101	FUEL STRAINER		1	*			
312-1	33K6140201	FUEL STRAINER	O	1				
313	0043605120	SCREW ASS'Y M5X12		1				
314	0021805000	NUT M5		1	*			
314-1	264035-7	HEX. NUT M5	O	1				
315	33K6225003	RUBBER PIPE		1	*			
315-1	33K6227013	RUBBER PIPE	<	1				
316	0561130010	HOSE CLAMP 13D		2				
317	33K6410103	TANK MOUNT		2				
318	33K6400103	NECK RUBBER		1	*			
318-1	33K6400113	NECK RUBBER	X	1				
319	33K6420103	NECK RUBBER 2		1	*			
320	33K6300203	FUEL COCK BRACKET		1				
321	0110060020	FLANGE BOLT M6X1.0X14DX12L		1	*			
321-1	0110060030	FLANGE BOLT M6X1.0X14DX14L	X	1				
322	0021906000	NUT		1	*			

Please order the parts with part number.

Print Date 27/6/2019

## Model No.G1700I GENERATOR

Item	Parts No.	Description	I/C	Qty	New/Old	Opt. 1	Opt. 2	Note
322-1	0021706000	NUT M6	X	1				
323	33K5841203	TANK SPONGE 80X45X5		1	*			
323-1	33K5841213	TANK SPONGE 80X45X5	X	1				
324	33K6220100	FUEL PUMP COMPLETE		1				
325	0851060000	RUBBER PIPE (6DX12D)		1				
326	0851060000	RUBBER PIPE (6DX12D)		2				
327	0561110020	HOSE CLAMP 11D		6	*			
327-1	0561110020	HOSE CLAMP 11D	X	5				
328	0150060020	TAPPING SCREW		2				
329	0100080420	BOLT		1				
330	0200080210	WASHER		1				
331	2843290401	STAY BAFFLE COMPLETE		1				
D10		INC. 332						
332	2774670103	GASKET(CHOKE)		1				
334	2845360303	CYLINDER BAFFLE (E/G)		1				
335	2845360903	SEAL SPONGE BAFFLE 2		1				
336	2845361003	SEAL SPONGE BAFFLE 3		2				
337	33K5832303	SPONGE BAFFLE 4		1				
338	2845360803	SEAL SPONGE BAFFLE		1				
339	0850930000	VINYL PIPE (3.5DX5.5D)		1	*			
339-1	2846700111	OVER FROW PIPE CP	<	1				
D10		INC. 342						
340	0850930000	VINYL PIPE (3.5DX5.5D)		1	*			
341	0850930000	VINYL PIPE (3.5DX5.5D)		1	*			
342	2846710103	Y CONNECTOR		1				
343	0569000020	PURSE LOCK ASS'Y		1				
345	34K9510203	LABEL(FRONT) 2		1				
346	33K5832203	REAR COVER SPONGE 3		1				
347	33K5832403	REAR COVER SPONGE 4		1				
348	0131040091	SCREW, WASHER AY		1				
349	0180040000	FLANGE NUT		1				
350	0732005370	LABEL(91DB)		1				
351	0561100030	HOSE CLAMP		1				
392	34K2091008	NOISE FILTER		1				
A01	33K9900100	ACCESSORY TOOL KIT		1	*			
A01-1	33K99001H0	ACCESSORY TOOL KIT	<	1				

Please order the parts with part number.

Print Date 27/6/2019