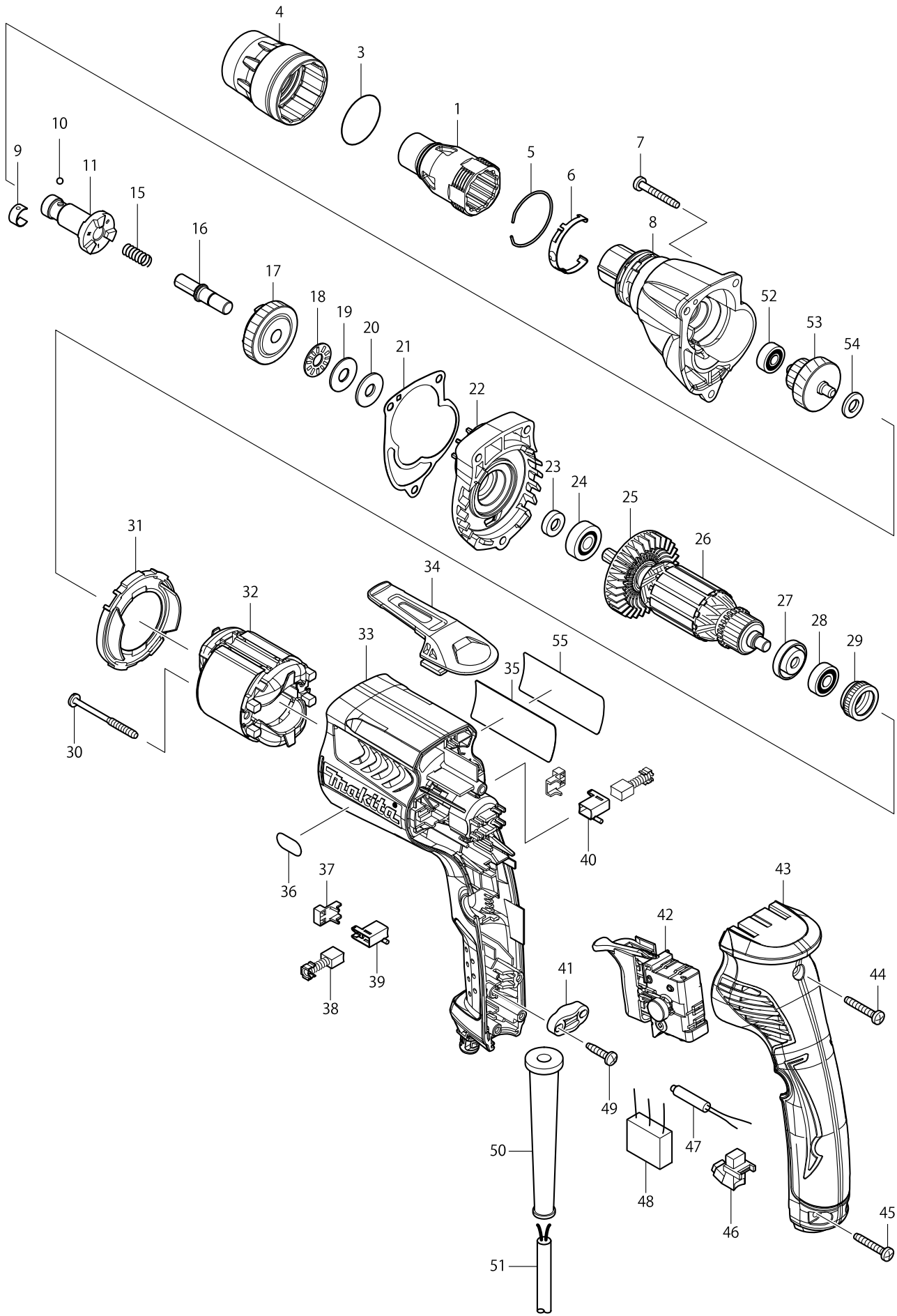


Model No. FS2500 SCREW DRIVER



Model No. FS2500 SCREW DRIVER

Item	Parts No.	Description	I/C	Qty	N/O	Opt. 1	Opt. 2	Note
001	450968-4	LOCATOR 3/8"		1				
003	424235-3	SEAL RING 30		1				
004	450881-6	LOCK RING		1	*			
004-1	455591-0	LOCK RING	O	1				
005	233974-2	RING SPRING 33		1				
006	232245-4	LEAF SPRING		1				
007	266361-0	TAPPING SCREW 4X30		3				
008	158896-4	GEAR HOUSING LN COMPLETE		1				
009	232050-9	LEAF SPRING		1				
010	216001-0	STEEL BALL 3.5		1				
011	325605-8	SPINDLE 180N		1				
015	233126-5	COMPRESSION SPRING 6		1				
016	268231-9	COLLARED PIN 8		1				
017	227239-2	SPUR GEAR 35-180		1				
018	216415-3	THRUST NEEDLE GAUGE 821		1				
019	216212-7	WASHER 821		1				
020	261111-8	URETHANE WASHER 8		1				
021	442149-4	GASKET		1				
022	158982-1	GEAR HOUSING COVER COMPLETE		1				
023	451099-2	RING 7		1				
024	210007-0	BALL BEARING 608VV		1				
025	240083-0	FAN 52		1				
026	515764-8	ARMATURE ASSEMBLY 240V		1				
D10		INC. 23-25,27,28						
027	681636-0	INSULATION WASHER		1				
028	210062-2	BALL BEARING 607ZZ		1				
029	421868-5	LABYRINTH RUBBER RING 19		1				
030	266467-4	TAPPING SCREW 4X50		2				
031	450880-8	BAFFLE PLATE		1				
032	633693-4	FIELD 220-240V		1				
033	450878-5	MOTOR HOUSING L		1				
034	162272-6	HOOK		1				
035	867035-2	FS2500 NAME PLATE		1				
036	808574-3	INDICATION LABEL		1				
037	689111-0	SPACER		2				
038	191962-4	CARBON BRUSH CB-419		1				
039	643952-8	BRUSH HOLDER		1				
040	643953-6	BRUSH HOLDER		1				
041	687124-5	STRAIN RELIEF		1				
042	650614-1	SWITCH		1				
043	158878-6	HANDLE COVER L COMPLETE		1				
C10	263002-9	RUBBER PIN 4		2				
044	266374-1	TAPPING SCREW 4X25		1				
045	266374-1	TAPPING SCREW 4X25		2				
046	631939-2	LIGHT CIRCUIT		1				
047	646122-8	CHOKE COIL		1				
048	645253-0	NOISE SUPPRESSOR		1				
049	265995-6	TAPPING SCREW 4X18		2				

