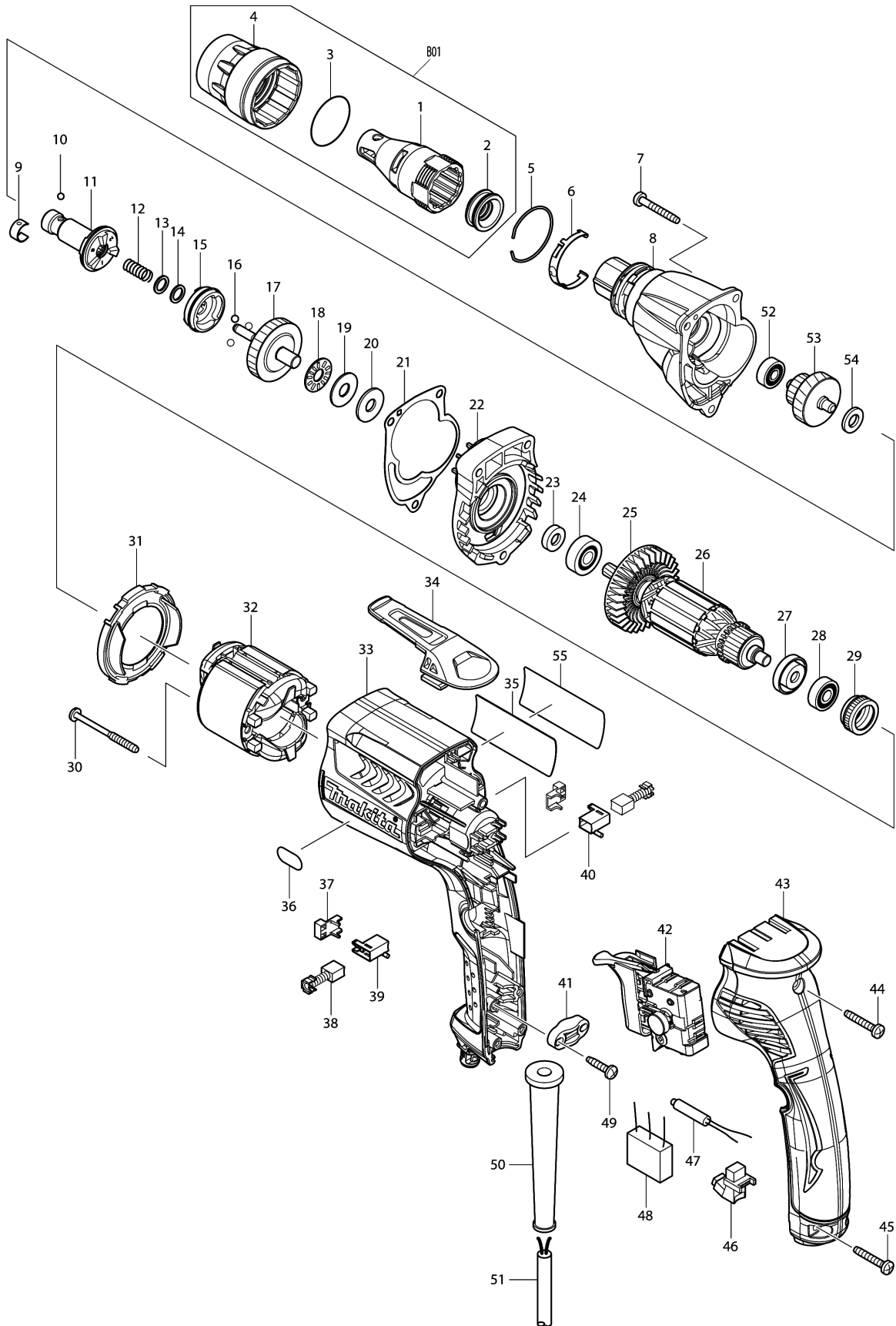


Model No.FS2300 DRYWALL SCREWDRIVER



Model No.FS2300 DRYWALL SCREWDRIVER

Item	Parts No.	Description	I/C	Qty	New/Old	Opt. 1	Opt. 2	Note
001	158875-2	LOCATOR S COMPLETE		1				
002	424163-2	DUST SEAL SLEEVE		1				
003	424235-3	SEAL RING 30		1				
004	450881-6	LOCK RING		1	*			
004-1	455591-0	LOCK RING	O	1				
005	233974-2	RING SPRING 33		1				
006	232245-4	LEAF SPRING		1				
007	266361-0	TAPPING SCREW 4X30		3				
008	158895-6	GEAR HOUSING LS COMPLETE		1	*			
008-1	142299-2	GEAR HOUSING LS COMPLETE	O	1				
009	232050-9	LEAF SPRING		1				
010	216001-0	STEEL BALL 3.5		1				
011	158886-7	SPINDLE 125S COMPLETE		1				
012	234121-8	COMPRESSION SPRING 8		1				
013	267202-3	FLAT WASHER 8		1				
014	267202-3	FLAT WASHER 8		1				
015	223170-0	CLUTCH CAM 125S		1				
016	216008-6	STEEL BALL 4		3				
017	158891-4	SPUR GEAR 35S COMPLETE		1				
018	216415-3	THRUST NEEDLE CAGE 821		1	*			
018-1	216415-3	THRUST NEEDLE CAGE 821	O	1				
019	216212-7	WASHER 821		1				
020	261111-8	URETHANE WASHER 8		1				
021	442149-4	GASKET		1				
022	158982-1	GEAR HOUSING COVER COMPLETE		1				
023	451099-2	RING 7		1				
024	210007-0	BALL BEARING 608VV		1				
025	240083-0	FAN 52		1				
026	515764-8	ARMATURE ASSEMBLY 240V		1				
D10		INC. 23-25,27,28						
027	681636-0	INSULATION WASHER		1				
028	210062-2	BALL BEARING 607ZZ		1				
029	421868-5	LABYRINTH RUBBER RING 19		1				
030	266467-4	TAPPING SCREW 4X50		2				
031	450880-8	BAFFLE PLATE		1				
032	633693-4	FIELD 220-240V		1				
033	450878-5	MOTOR HOUSING L		1				
034	162272-6	HOOK		1				
035	867019-0	FS2300 NAME PLATE		1				
036	808574-3	INDICATION LABEL		1				
037	689111-0	SPACER		2				

Please order the parts with part number.

Print Date 30/3/2020

Model No.FS2300 DRYWALL SCREWDRIVER

Item	Parts No.	Description	I/C	Qty	New/Old	Opt. 1	Opt. 2	Note
038	191962-4	CARBON BRUSH CB-419		1				
039	643952-8	BRUSH HOLDER		1				
040	643953-6	BRUSH HOLDER		1				
041	687124-5	STRAIN RELIEF		1				
042	650614-1	SWITCH		1				
043	158878-6	HANDLE COVER L COMPLETE		1				
C10	263002-9	RUBBER PIN 4		2				
044	266374-1	TAPPING SCREW 4X25		1				
045	266374-1	TAPPING SCREW 4X25		2				
046	631939-2	LIGHT CIRCUIT		1				
047	646122-8	CHOKE COIL		1				
048	645253-0	NOISE SUPPRESSOR		1				
049	265995-6	TAPPING SCREW 4X18		2				
050	682559-5	CORD GUARD 8		1				
051	695034-2	POWER SUPPLY CORD 1.0-2-4.0		1				
052	211012-0	BALL BEARING 606ZZ		1				
053	226157-1	GEAR COMPLETE 17-39		1				
054	267017-8	FLAT WASHER 8		1				
055	819349-5	CLEAR LABEL		1	*			
055-1	892811-5	CLEAR LABEL		1				
056	423413-2	RUBBER PLATE		1				
A01	784261-7	+BIT 2-25		2				
A02	784811-8	MAGNETIC CONNECT BIT 6.35-60		1				
B01	197025-4	LOCATOR S SET		1				
D10		INC. 1-4						

Please order the parts with part number.

Print Date 30/3/2020