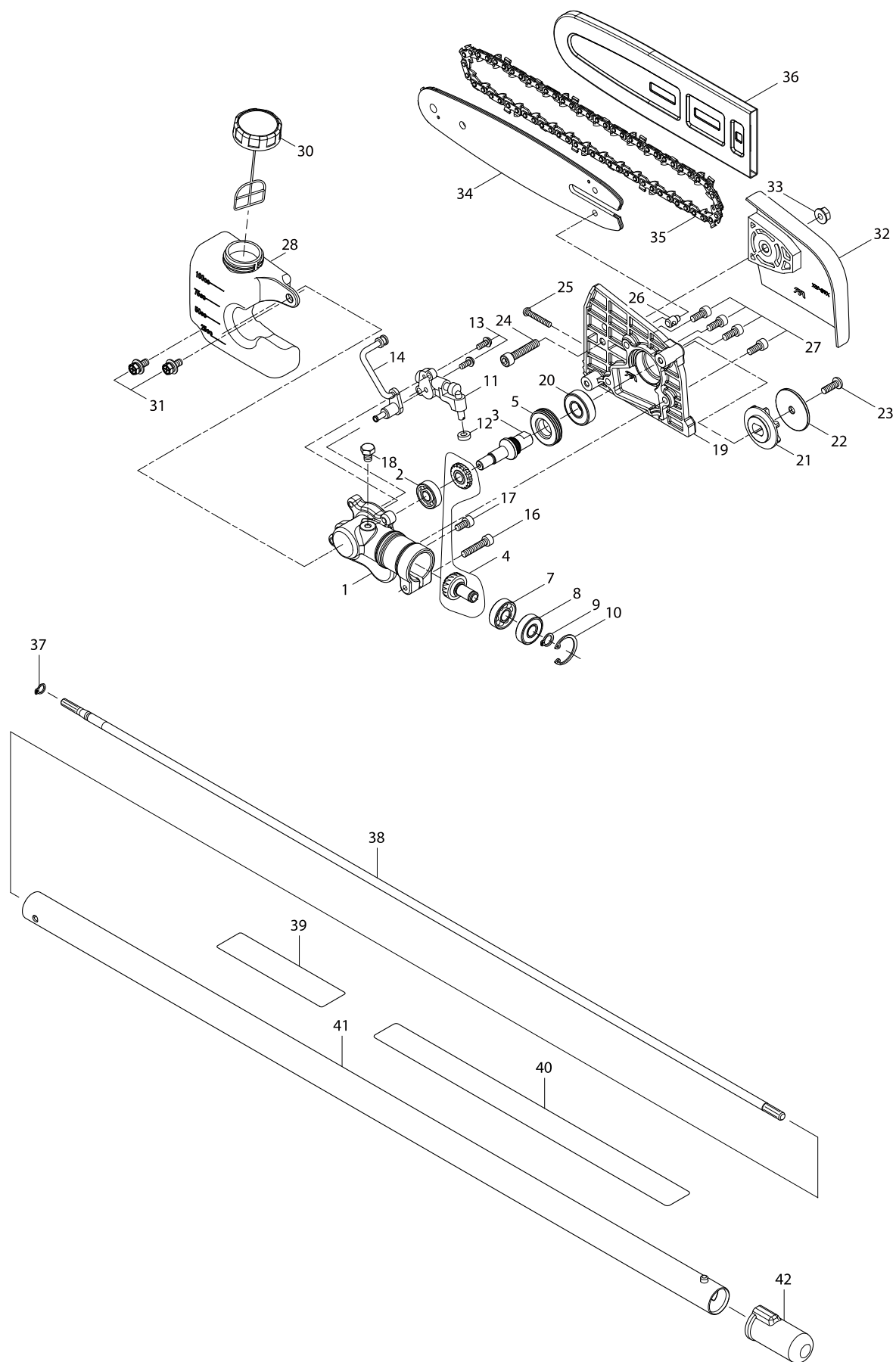


# Mallinnumero EY401MP POLE SAW ATTACHMENT



# Mallinumero EY401MP POLE SAW ATTACHMENT

Sivu 1 / 2

Nimike	Osanumero	Kuvaus	I/C nu	MÄÄRÄ	N/O	Opt. 1	Opt. 2	HUOMAUTUS
001	XTM0000001	GEAR CASE A		1	*			
001-1	XTM0000029	GEAR CASE A	O	1				
002	XTM0000002	BALL BEARING 608		1				
003	XTM0000003	GEAR SHAFT		1	*			
003-1	XTM0000024	GEAR SHAFT	<	1				
004	XTM0000004	BEVEL GEAR SET		1				
005	XTM0000005	WORM WHEEL		1				
007	XTM0000006	BALL BEARING 609		1				
008	XTM0000007	BALL BEARING 609Z		1				
009	961005-4	RETAINING RING S-9		1				
010	962103-7	RETAINING RING R-24		1				
011	XTM0000008	OIL PUMP		1	*			
011-1	XTM0000025	OIL PUMP	<	1				
012	XTM0000009	SEAL		1				
013	911111-5	PAN HEAD SCREW M4X10 WITH W		2				
014	XTM0000010	OIL PIPE ASS'Y		1				
016	922242-5	HEX. SOCKET HEAD BOLT M5X25		1				
017	922207-7	HEX. SOCKET HEAD BOLT M5X10		1				
018	XTM0000011	HB BOLT 6X8		1				
019	XTM0000012	GEAR CASE B		1	*			
019-1	XTM0000026	GEAR CASE B	<	1	*			
019-2	XTM0000027	GEAR CASE B	<	1				
020	XTM0000013	BALL BEARING 6001DDW		1				
021	XTM0000014	SPROCKET		1				
022	XTM0000015	SPEOCKET WASHER		1				
023	XTM0000016	H.S. BOTTON HEAD SCREW M6X15		1				
024	922352-8	HEX. SOCKET HEAD BOLT M6X30		1				
025	XTM0000017	ADJUSTER SCREW M4X25		1				
026	XTM0000018	ADJUSTER		1				
027	922212-4	HEX. SOCKET HEAD BOLT M5X12		4				
028	XTM0000019	OIL TANK ASS'Y		1				
030	XTM0000020	TANK CAP ASS'Y		1				
031	XTM0000021	H.S.H.BOLT M5X12SW		2				
032	XTM0000022	CHAIN COVER		1				
033	XTM0000023	FLANGE NUT M6		1				
034	165695-7	GUIDE BAR 10		1				
035	196142-7	SAW CHAIN SET		1				
036	452093-7	GUIDE BAR CASE		1				
037	961003-8	RETAINING RING S-7		1				
038	326088-5	SHAFT A		1				
039	819312-8	MAKITA LOGO LABEL		1				
040	800E06-6	CAUTION LABEL		1	*			
040-1	810V40-0	CAUTION LABEL	X	1				
041	141106-6	SHAFT PIPE A COMPLETE		1	*			
041-1	144169-1	GRIP PIPE COMPLETE	X	1				
C10	141106-6	SHAFT PIPE A COMPLETE		1				
C20	424857-9	GRIP		1				
042	424434-7	CAP 24		1				

