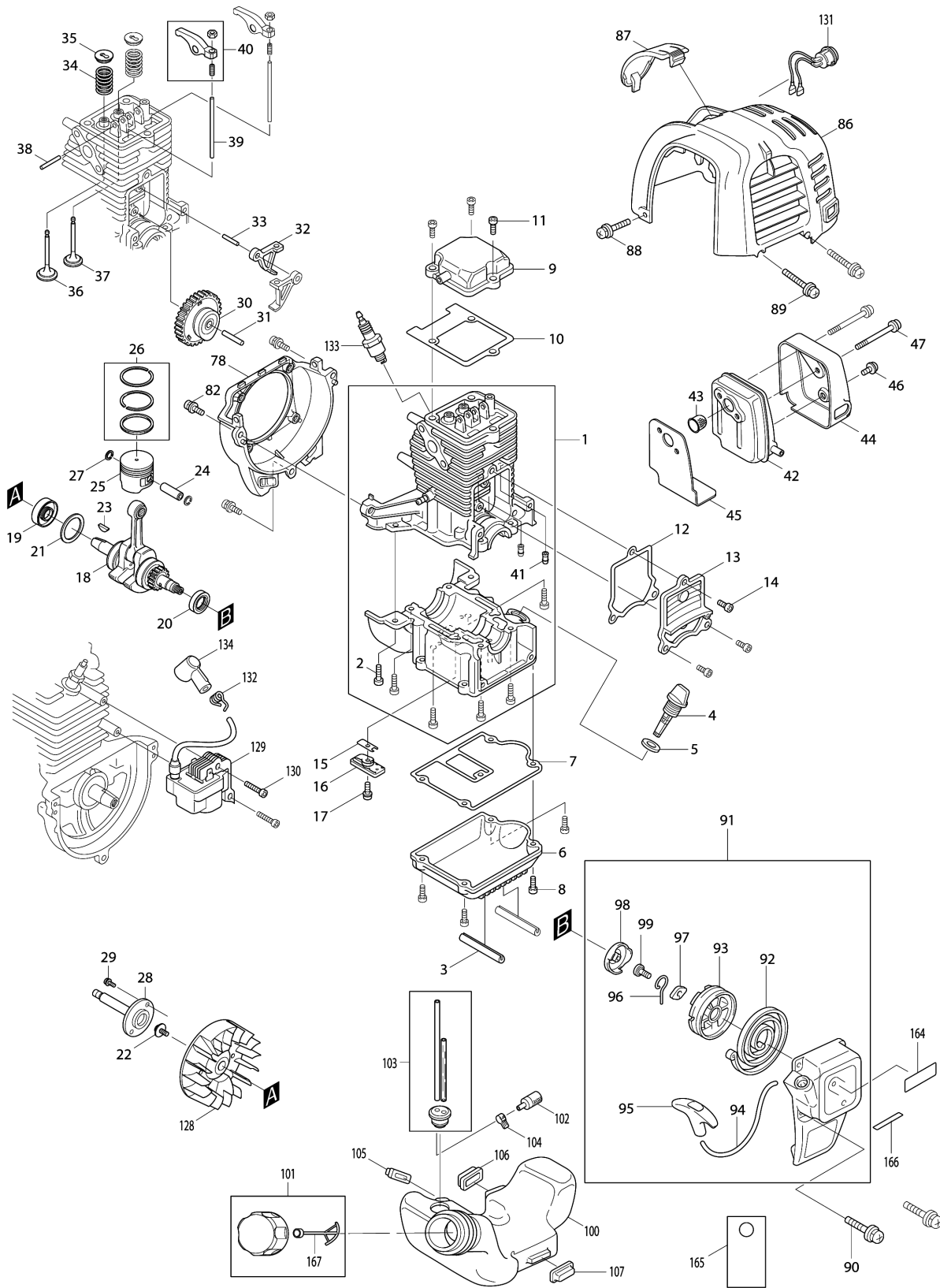
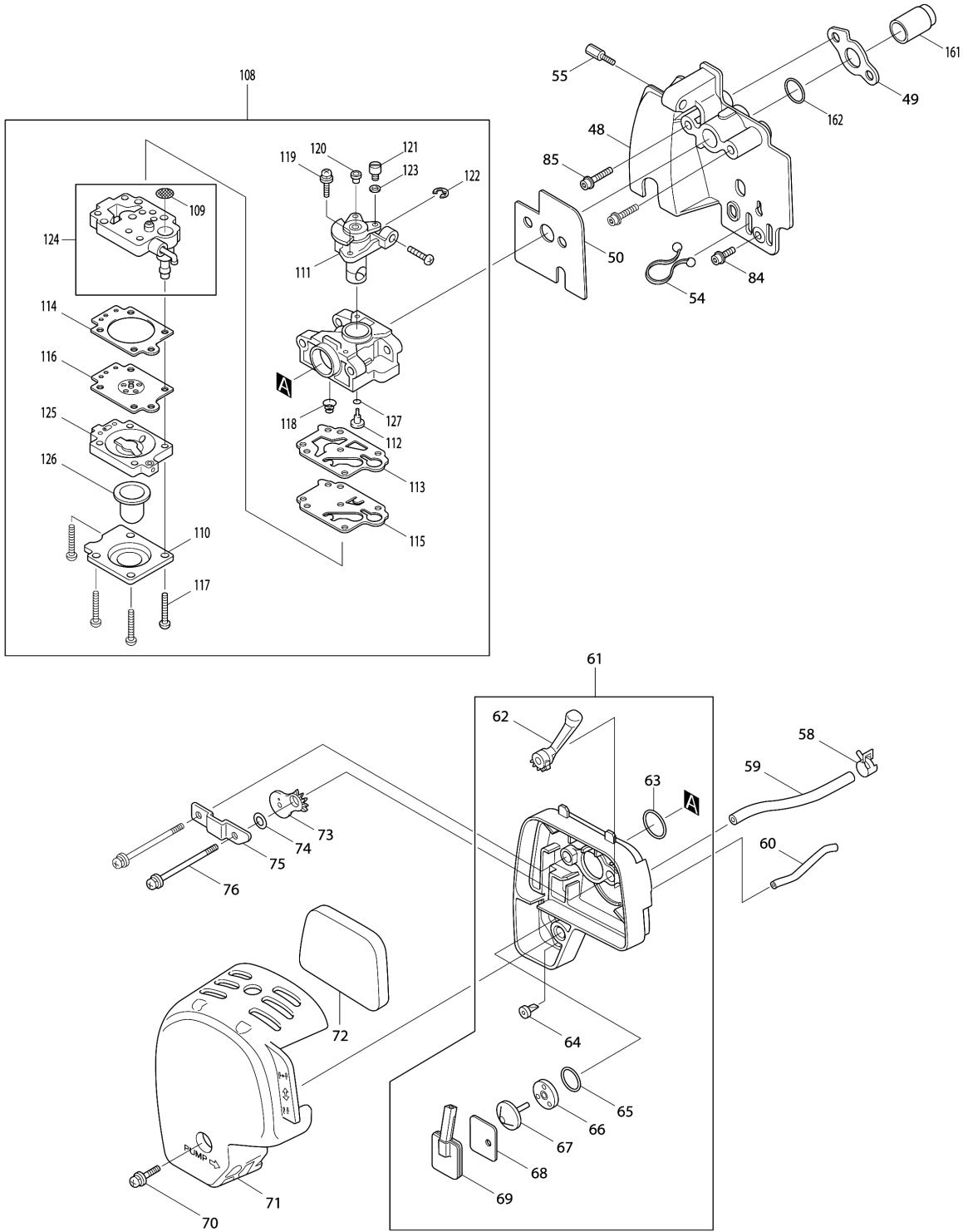


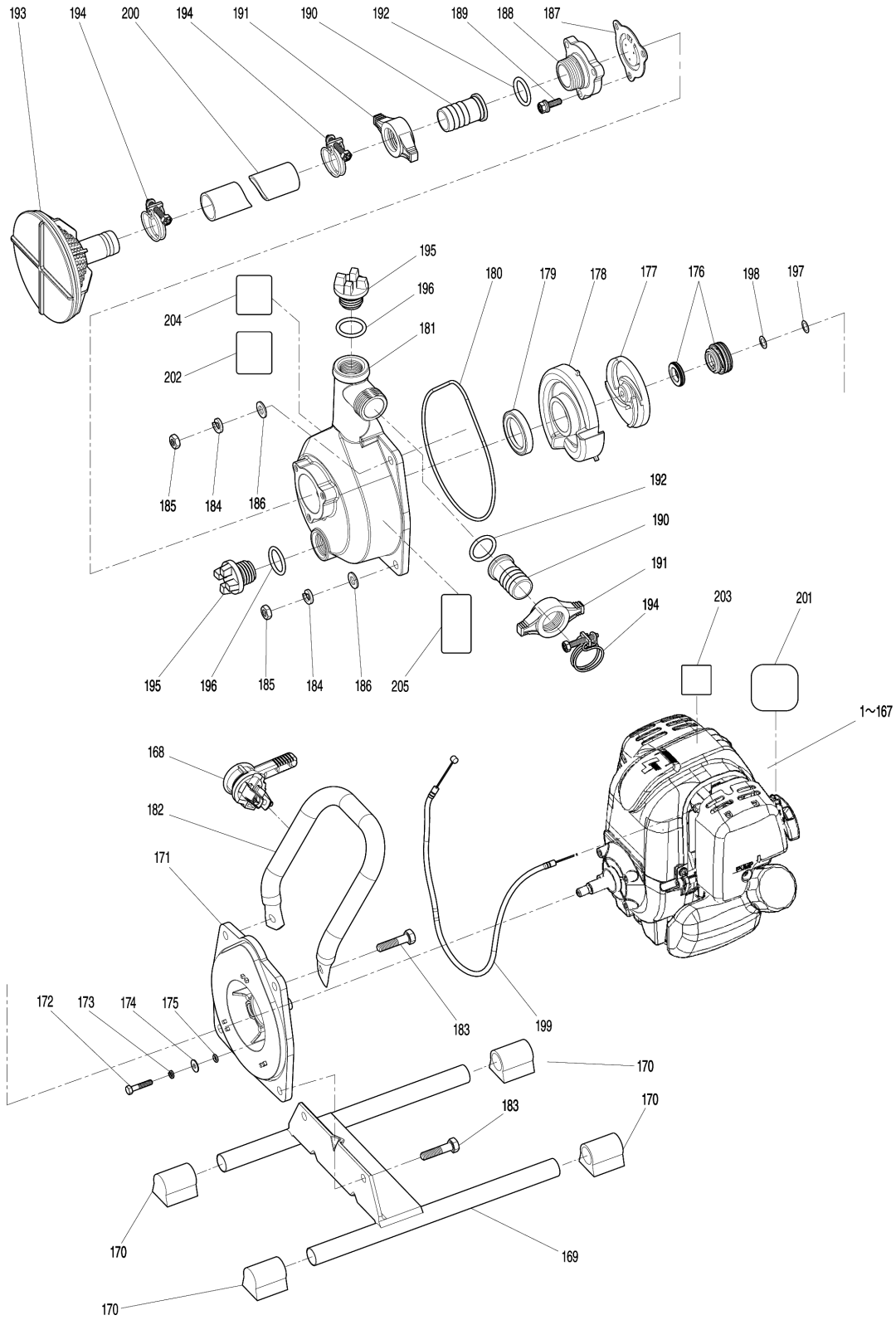
# Model No.EW1050H ENGINE PUMP



# Model No.EW1050H ENGINE PUMP



# Model No.EW1050H ENGINE PUMP



Model No.EW1050H ENGINE PUMP

Item	Parts No.	Description	I/C	Qty	New/Old	Opt. 1	Opt. 2	Note
001	135562-0	CYLINDER BLOCK ASSEMBLY		1				
D10		INC. 2,41						
002	922217-4	HEX. SOCKET HEAD BOLT M5X14		8				
003	424530-1	OIL CASE GUARD		2				
004	450565-6	OIL GAUGE		1				
005	424100-6	GASKET		1				
006	318442-7	OIL CASE		1				
007	162276-8	CASE GASKET		1				
008	922217-4	HEX. SOCKET HEAD BOLT M5X14		4				
009	140023-7	ROCKER COVER COMPLETE		1	*			
009-1	140B46-7	ROCKER COVER COMPLETE	<	1				
010	162275-0	ROCKER COVER GASKET		1				
011	922222-1	HEX. SOCKET HEAD BOLT M5X16		3				
012	162274-2	CAM GEAR COVER GASKET		1				
013	318443-5	CAM GEAR COVER		1				
014	922217-4	HEX. SOCKET HEAD BOLT M5X14		3				
015	346083-9	LEAD VALVE		1				
016	318440-1	RETAINER PLATE		1				
017	922111-0	HEX. SOCKET HEAD BOLT M4X10		1	*			
017-1	922112-8	HEX. SOCKET HEAD BOLT M4X10	<	1				
018	126299-0	CRANK SHAFT ASSEMBLY		1				
019	213147-3	OIL SEAL 12		1	*			
019-1	213089-1	OIL SEAL 12	<	1				
020	213148-1	OIL SEAL 10		1	*			
020-1	213769-9	OIL SEAL 10	<	1				
021	267400-9	FLAT WASHER 23		1				
022	265577-4	HEX HEAD BOLT M6X16		1				
023	254040-2	WOODRUFF KEY 3		1				
024	257781-9	PISTON PIN		1				
025	318441-9	PISTON		1				
026	195145-8	PISTON RING SET		1	*			
026-1	196595-0	PISTON RING SET	O	1				
027	233976-8	CLIP		2				
028	326223-5	SHAFT		1				
029	911323-0	PAN HEAD SCREW M6X16		2				
030	125552-1	CAM GEAR ASSEMBLY		1				
031	268238-5	PIN 5		1				
032	313169-4	CAM LIFTER		2				
033	268239-3	PIN 4		1				
034	234108-0	COMPRESSION SPRING 9		2				

Please order the parts with part number.

Print Date 8/9/2020

Model No.EW1050H ENGINE PUMP

Item	Parts No.	Description	I/C	Qty	New/Old	Opt. 1	Opt. 2	Note
035	325668-4	SPRING RETAINER		2				
036	325670-7	INTAKE VALVE		1	*			
036-1	326367-1	INTAKE VALVE	O	1				
037	325669-2	EXHAUST VALVE		1	*			
037-1	326366-3	EXHAUST VALVE	O	1				
038	256200-2	PIN 5		1				
039	256865-0	ROD 2.5		2				
040	125554-7	ROCKER ARM ASSEMBLY		2				
041	424200-2	SPACER		2				
042	168469-5	EXHAUST MUFFLER		1				
043	324980-9	SPARK ARRESTER		1				
044	345915-7	MUFFLER COVER		1				
045	345916-5	MUFFLER GASKET		1				
046	265184-3	+TRUSS HEAD SCREW M5X5		1				
047	266440-4	HEX SOCKET HEAD BOLT M5X40		2				
048	450559-1	INSULATOR		1				
049	413120-5	INSULATOR GASKET		1				
050	413121-3	CARBURETOR GASKET		1				
054	450562-2	CLAMP		1				
055	325934-9	ADJUST SCREW		1				
058	345918-1	HOSE CLAMP		1				
059	422041-0	BREATHER PIPE		1				
060	422042-8	PIPE		1				
061	125468-0	CLEANER PLATE ASSEMBLY		1				
D10		INC. 62-69						
062	451925-5	CHOKE LEVER		1				
063	213540-1	O RING 15		1				
064	424316-3	CHECK VALVE		1				
065	213539-6	O RING 14		1				
066	451924-7	CHECK VALVE PLATE		1				
067	424315-5	CHECK VALVE		1				
068	168577-2	SEPARATOR GASKET		1				
069	168576-4	SEPARATOR PLATE		1				
070	911218-7	PAN HEAD SCREW M5X14		1				
071	450561-4	AIR CLEANER COVER		1				
072	443141-3	AIR CLEANER ELEMENT		1				
073	450560-6	CHOKE PLATE		1				
074	423376-2	GASKET		1				
075	345919-9	PLATE		1				
076	265188-5	+PAN HEAD SCREW M5X68		2				
078	141766-4	BLOWER HOUSING COMPLETE		1				
082	922223-9	H.S.H.BOLT M5X16 WITH WR		3				

Please order the parts with part number.

Print Date 8/9/2020

Model No.EW1050H ENGINE PUMP

Item	Parts No.	Description	I/C	Qty	New/Old	Opt. 1	Opt. 2	Note
084	922213-2	H.S.H.BOLT M5X12 WITH WR		1				
085	922228-9	H.S.H.BOLT M5X18 WITH WR		2				
086	450564-8	CYLINDER COVER		1				
087	452144-6	PLUG COVER		1				
088	911213-7	PAN HEAD SCREW M5X12		2				
089	911128-8	P.H.SCREW M4X16 WITH WR		2				
090	911128-8	P.H.SCREW M4X16 WITH WR		2				
091	195146-6	RECOIL STARTER SET		1				
D10		INC. 92-99						
092	232258-5	SPIRAL SPRING		1				
093	451937-8	REEL		1				
094	444019-3	STARTER ROPE		1				
095	424319-7	STARTER KNOB		1				
096	325923-4	SWING ARM		1				
097	451938-6	COLLAR		1				
098	168483-1	PULLEY		1				
099	266585-8	TAPPING SCREW 5X12		1				
100	450566-4	FUEL TANK		1				
101	125472-9	FUEL TANK CAP ASSEMBLY		1				
D10		INC. 167						
102	163447-0	FUEL FILTER		1	*			
102-1	163447-0	FUEL FILTER	O	1				
103	168472-6	TUBE COMPLETE		1				
104	345920-4	HOSE CLAMP		1				
105	424102-2	PLATE		1				
106	424103-0	PLATE		1				
107	424104-8	DAMPER		1				
108	168781-3	CARBURETOR		1				
D10		INC. 110,113-119,121-127						
109	352010-6	INLET SCREEN		1	*			
109-1	WJ00014070	INLET SCREEN	O	1				
110	346270-0	PRIMER PUMP COVER		1				
113	442155-9	PUMP GASKET		1				
114	442154-1	METERING DIAPHRAGM GASKET		1				
115	168575-6	PUMP DIAPHRAGM		1	*			
115-1	WJ00009599	PUMP DIAPHRAGM	O	1				
116	168574-8	METERING DIAPHRAGM		1	*			
116-1	WJ00963279	SCREW	O	1	*			
116-2	WJ00095586	DIAPHRAGM ASS'Y	X	1				
117	266582-4	TAPPING SCREW 3X24		4				
118	234183-6	CONICAL COMPRESSION SPRING 5-9		1				

Model No.EW1050H ENGINE PUMP

Item	Parts No.	Description	I/C	Qty	New/Old	Opt. 1	Opt. 2	Note
119	266581-6	PAN HEAD SCREW M3X8 WITH W		2	*			
119-1	WJ00096364	SCREW M3X8 WITH WASHER	O	2				
121	325922-6	SWIVEL		1				
122	257964-1	STOP RING E-3		1				
123	413140-9	WASHER		1				
124	140437-0	PUMP BODY		1				
125	140438-8	AIR PURGE BODY		1				
126	424314-7	PRIMER PUMP		1				
127	213538-8	O RING 2		1				
128	318702-7	FLYWHEEL		1	*			
128-1	319205-4	FLYWHEEL	O	1				
129	168501-5	IGNITION COIL		1	*			
129-1	168816-0	IGNITION COIL	S	1				
130	266602-4	HEX. SOCKET HEAD BOLT M4X20		2				
131	126240-3	STOP SWITCH ASSEMBLY		1	*			
131-1	141794-9	STOP SWITCH COMPLETE	S	1				
132	324891-8	PLUG CAP SPRING		1				
133	168401-9	SPARK PLUG		1				
134	424105-6	PLUG CAP		1				
161	324961-3	INTAKE PIPE		1				
162	213078-6	O-RING 10		1				
163	424201-0	CHECK VALVE		2				
164	806902-6	GAS EMISSION APPROVAL LABEL		1	*			
164-1	806902-6	GAS EMISSION APPROVAL LABEL	O	1	*			
165	819430-2	CAUTION TAG		1				
166	897794-4	SERIAL NO. LABEL		1				
167	140436-2	STRAP COMPLETE		1				
168	ME08121070	REFUELING HANDLE GROUP		1				
169	ME00204835	SHELF GROUP		1				
170	ME01676311	RUBBER FEET		4				
171	ME08121002	PUMP FRAME		1				
172	ME01676313	HEXAGON BOLT		4				
173	ME00200115	WAD		4				
174	ME01676314	GASKET		4				
175	ME01676315	O-RING		4				
176	ME00200486	MECHANICAL OIL SEAL		1				
177	ME08121003	IMPELLER		1				
178	ME08121004	VOLUTE		1				
179	ME01676319	SEAL RING		1				
180	ME01676320	O-RING		1				

Model No.EW1050H ENGINE PUMP

Item	Parts No.	Description	I/C	Qty	New/Old	Opt. 1	Opt. 2	Note
181	ME08121005	PUMP CASING		1				
182	ME08121006	HANDLE		1				
183	ME00200116	HEXAGON BOLT		4				
184	ME00200117	WAD		4				
185	ME01676323	HEXAGON NUT		4				
186	ME00200091	FLAT GASKET		4				
187	ME08121007	VALVE		1				
188	ME08121008	TUBE JOINT BOLT		1				
189	ME00200011	HEXAGON BOLT		3				
190	ME01676327	TUBE JOINT CORE		2				
191	ME08121009	LOCKNUT		2				
192	ME08121044	SEAL RING		2				
193	ME01689268	STRAINER GROUP		1				
194	ME01676330	HOOP		3				
195	ME01676331	WATER BLOCK		2				
196	ME01676329	O-RING		2				
197	ME01676333	GASKET		99				
198	ME01676334	GASKET		99				
199	ME08121010	REFUELING WINDING		1				
200	ME01676336	SUCTION PIPE		1				
201	ME08121001	NOTE LABEL		1				
202	ME08121012	NOTE LABEL		1				
203	ME08121030	NOTE LABEL		1				
204	ME08121035	NOTE LABEL		1				
205	ME03333192	NOTE LABEL		1				
206	632B57-1	LEAD UNIT	S	2				
A01	ME08121017	SOCKET WRENCH		1				
A02	ME08121040	RAPID JOINT GROUP		1	*			
D10		INC. A03,A04			*			
A02-1	ME08121040	RAPID JOINT GROUP	<	2				
D10		INC. A03,A04						
A03	ME08121044	SEAL RING		1				
A04	ME08121045	SEAL RING		1				
A05	ME08121051	JOINT CORE		1	*			
D10		INC. A06,A07			*			
A05-1	ME08121051	JOINT CORE	O	1				
A06	ME08121052	CONNECTOR NUT		1				
A07	ME08121044	SEAL RING		1				
A08	ME08121053	HOOP		1				
A09	ME08122060	THE PIPE GROUP		1				
D10		INC. A10,A11						
A10	ME08121044	SEAL RING		1				



Model No.EW1050H ENGINE PUMP

Item	Parts No.	Description	I/C	Qty	New/Old	Opt. 1	Opt. 2	Note
A11	ME08122068	O-RING		1				
A12	ME08122030	GUN GROUP		1				
D10		INC. A13-A15						
A13	ME08122032	GUN GLOVES		1				
A14	ME08122034	ROUND HEAD SCREW		1				
A15	ME08122035	O-RING		1				
A16	ME08121060	CROSS OVER SUB		1				
A17	ME08121044	SEAL RING		1				
A18	ME08121080	OILER		1				

Please order the parts with part number.

Print Date 8/9/2020