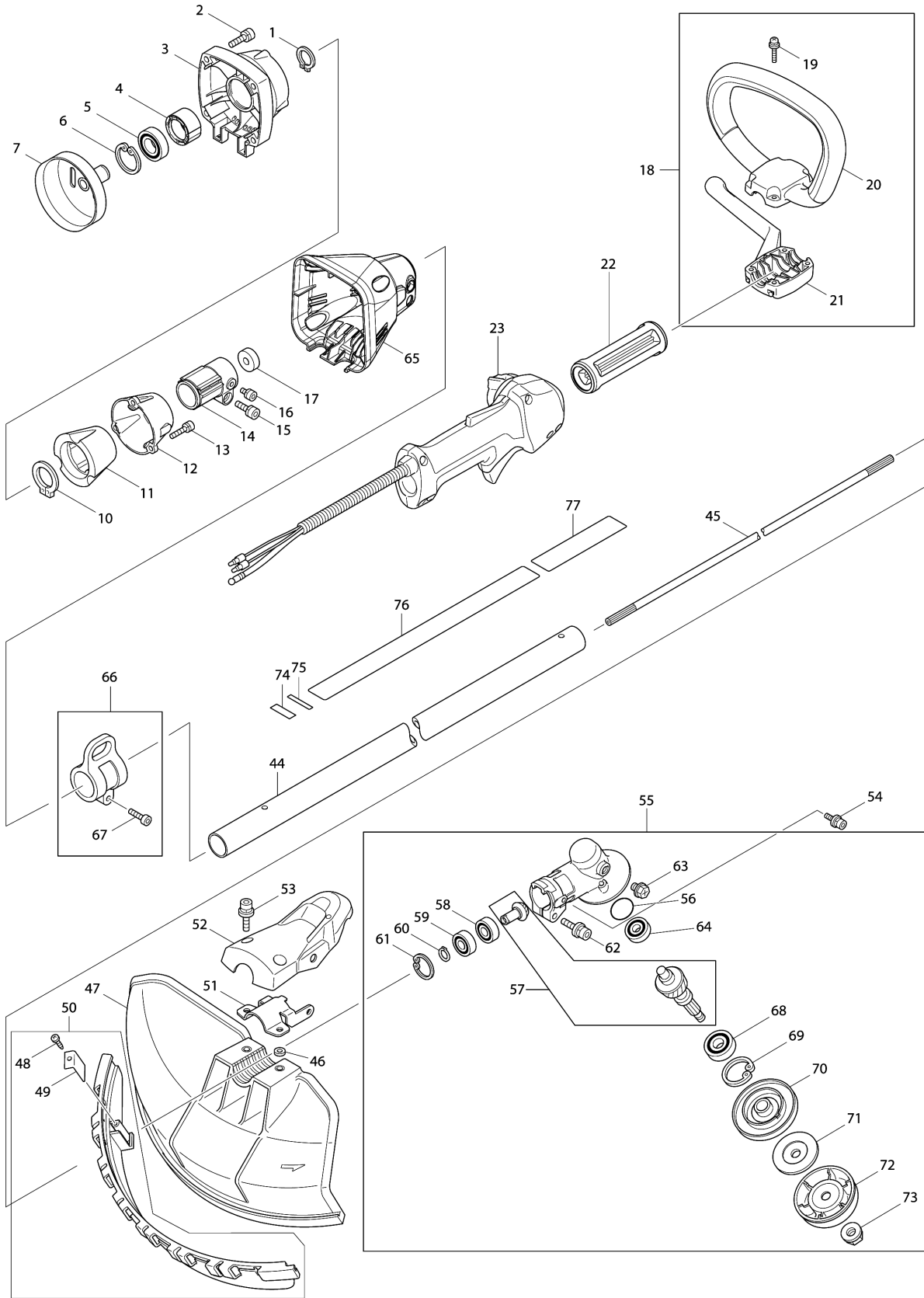
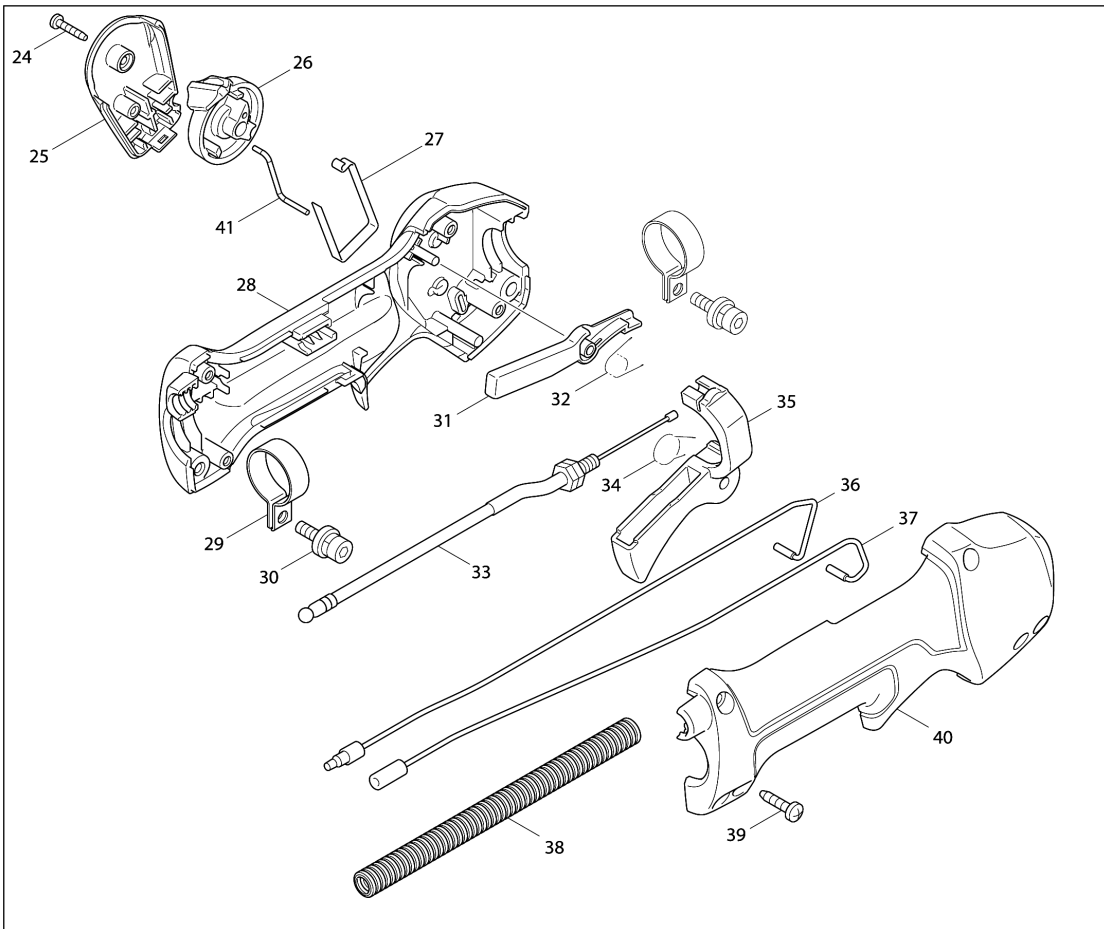


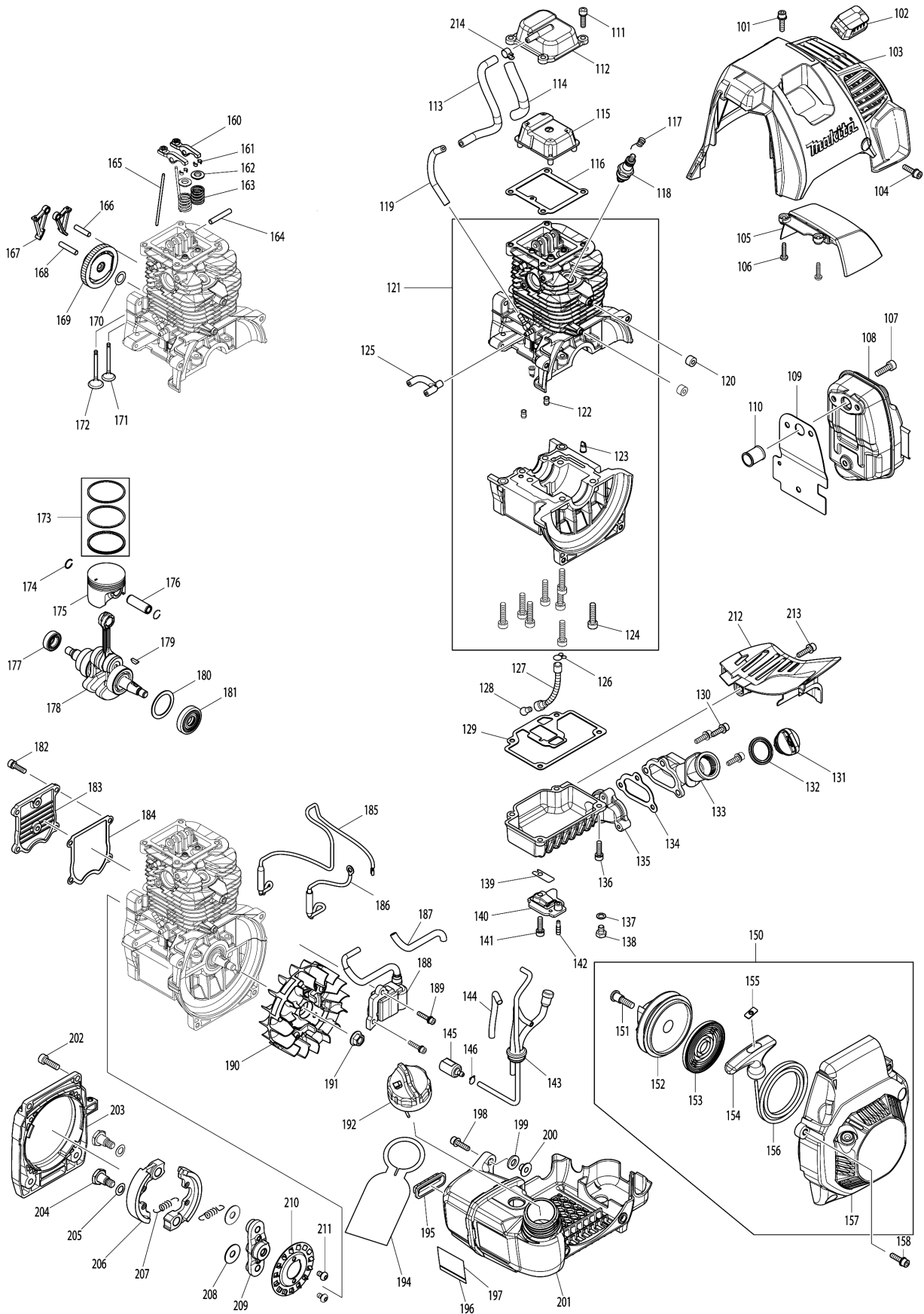
Model No.EM4350LH PETROL BRUSHCUTTER



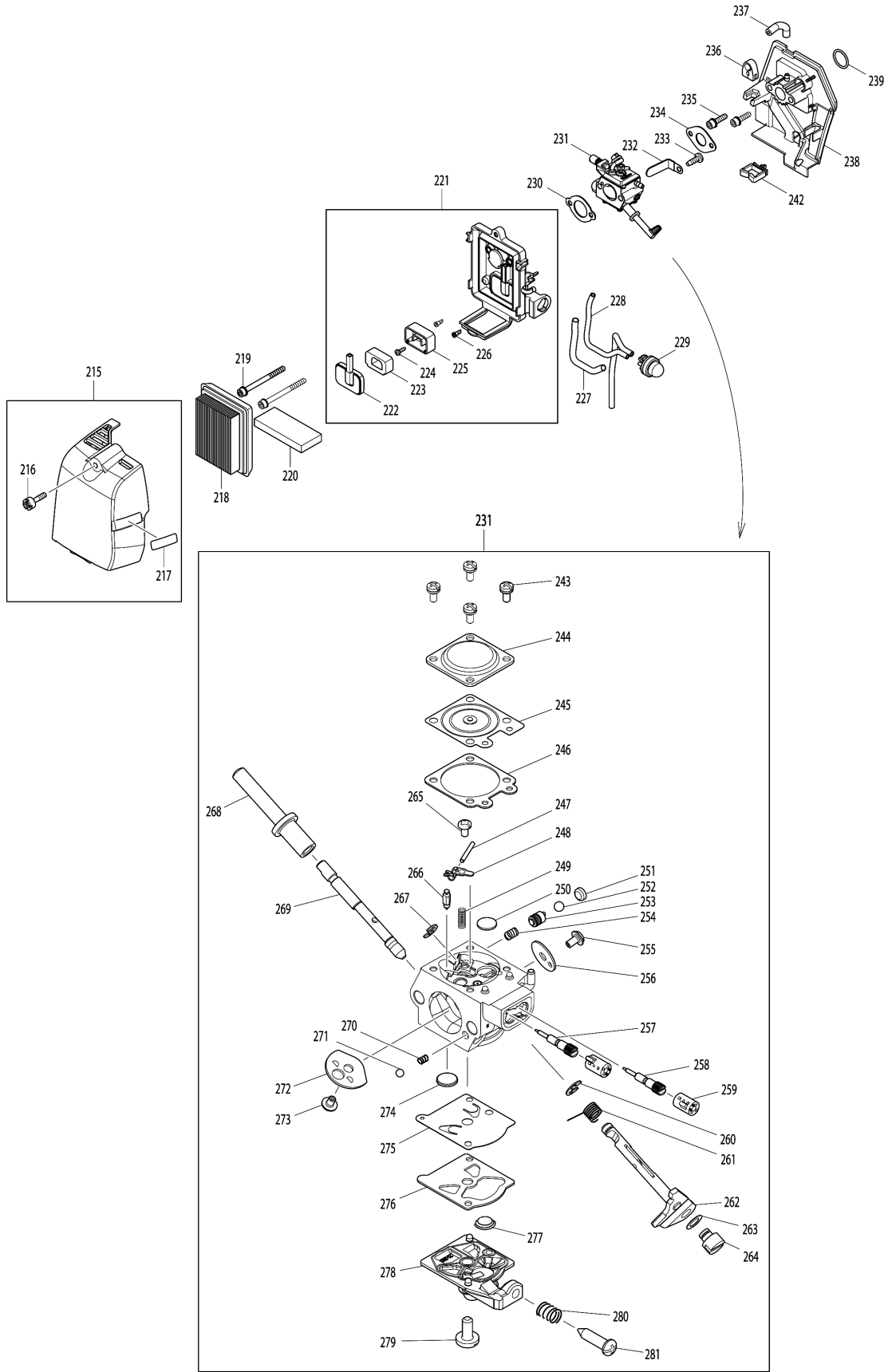
Model No.EM4350LH PETROL BRUSHCUTTER



Model No.EM4350LH PETROL BRUSHCUTTER



Model No.EM4350LH PETROL BRUSHCUTTER



Model No.EM4350LH PETROL BRUSHCUTTER

Item	Parts No.	Description	I/C	Qty	New/Old	Opt. 1	Opt. 2	Note
001	961057-5	RETAINING RING S-17		1				
002	922331-6	HEX. SOCKET HEAD BOLT M6X20		4				
003	318421-5	CLUTCH CASE		1				
004	451157-4	SPACER		1				
005	210138-5	BALL BEARING 6003LLU		1	*			
005-1	211338-0	BALL BEARINNG 6003LLU	O	1				
006	962153-2	RETAINING RING R-35		1				
007	168742-3	CLUTCH DRUM		1				
010	961151-3	RETAINING RING S-32		1				
011	424204-4	DAMPER		1				
012	318453-2	PIPE RETAINER		1				
013	922231-0	HEX. SOCKET HEAD BOLT M5X20		3				
014	318454-0	PIPE BRACKET		1				
015	922331-6	HEX. SOCKET HEAD BOLT M6X20		1				
016	922201-9	HEX. SOCKET HEAD BOLT M5X8		1				
017	443146-3	FELT RING 8		1				
018	195251-9	LOOP HANDLE SET		1				
C10	783014-1	+ SCREW DRIVER 2		1				
D10		INC. 19-21						
019	911253-5	PAN HEAD SCREW M5X30		4				
020	451596-8	LOOP HANDLE 28		1				
021	451597-6	HANDLE CLAMP 28		1				
022	451600-3	SPACER 28		1				
023	126164-3	CONTROL LEVER ASSEMBLY		1				
D10		INC. 24-39,41						
024	266130-9	TAPPING SCREW BIND PT 3X16		1				
025	451595-0	SWITCH COVER		1				
026	451594-2	SWITCH LEVER		1				
027	232251-9	LEAF SPRING		1				
028	187574-9	LEVER CASE SET		1				
D10		INC. 40						
029	346249-1	PIPE CLAMP 28		2				
030	922218-2	H.S.H.BOLT M5X14 WITH WR		2				
031	451593-4	LOCK LEVER		1				
032	233541-3	TORSION SPRING 7		1				
033	168741-5	CONTROL CABLE		1				
034	233540-5	TORSION SPRING 11		1				
035	451592-6	THROTTLE LEVER		1				
036	638985-6	LEAD UNIT		1				
037	638986-4	LEAD UNIT		1				

Model No.EM4350LH PETROL BRUSHCUTTER

Item	Parts No.	Description	I/C	Qty	New/Old	Opt. 1	Opt. 2	Note
038	453708-9	CORRUGATE TUBE		1				
039	266326-2	TAPPING SCREW 4X18		4				
040	187574-9	LEVER CASE SET		1				
D10		INC. 28						
041	325907-2	LOCK PIN		1				
044	140042-3	SHAFT PIPE COMPLETE		1				
045	325675-7	SHAFT		1				
046	413143-3	WASHER		2				
047	452259-9	PROTECTOR		1				
048	266326-2	TAPPING SCREW 4X18		1				
049	346074-0	CUTTER		1				
050	135398-7	PROTECTOR EXTENSION ASSY		1				
D10		INC. 48,49						
051	346072-4	PROTECTOR CLAMP		1				
052	451090-0	PROTECTOR COVER		1				
053	266579-3	HEX SOCKET HEAD BOLT M6X30		2				
054	266865-2	H.S.H.BOLT M5X14 WITH WR		2				
055	126260-7	GEAR CASE ASSEMBLY		1	*			
D10		INC. 56-64,68-73			*			
055-1	126310-8	GEAR CASE ASSEMBLY	O	1	*			
D10		INC. 56-64,68-73			*			
055-2	123835-3	GEAR CASE ASSEMBLY	S	1				
D10		INC. 56-64,68-73						
056	213459-4	O RING 32		1	*			
057	188865-1	CUTTER SHAFT SET		1	*			
057-1	187644-4	CUTTER SHAFT SET	O	1	*			
057-2	183K07-8	CUTTER SHAFT SET	O	1				
058	211064-1	BALL BEARING 6000		1	*			
058-1	210161-0	BALL BEARING 6000	>	1				
059	211062-5	BALL BEARING 6000ZZ		1	*			
059-1	210160-2	BALL BEARING 6000ZZ	>	1				
060	961006-2	RETAINING RING S-10		1	*			
060-1	257408-1	RETAINING RING(EXT) S-10	O	1				
061	962105-3	RETAINING RING R-26		1	*			
061-1	257988-7	RETAINING RING (INT) R-26	O	1				
062	922353-6	HEX.SOCKET HEAD BOLT M6X30		1				
063	265590-2	+HEX.BOLT M8X10 WITH R		1				
064	210081-8	BALL BEARING 629ZZ		1	*			
064-1	210159-7	BALL BEARING 629ZZ	>	1				
065	453883-1	CLUTCH CASE COVER		1				
066	125558-9	HANGER ASSEMBLY		1				

Please order the parts with part number.

Print Date 24/1/2022

Model No.EM4350LH PETROL BRUSHCUTTER

Item	Parts No.	Description	I/C	Qty	New/Old	Opt. 1	Opt. 2	Note
D10		INC. 67						
067	266698-5	HEX. SOCKET HEAD BOLT M5X20		1				
068	210116-5	BALL BEARING 6201LLU		1				
069	962151-6	RETAINING RING R-32		1	*			
069-1	257409-9	RETAINING RING(INT) R-32	O	1				
070	331860-2	RECEIVE WASHER		1	*			
070-1	332114-0	RECEIVE WASHER	<	1	*			
070-2	326823-1	RECEIVE WASHER	O	1				
071	346355-2	CLAMP WASHER		1				
072	168526-9	CUP		1				
073	264025-0	HEX. NUT M10-17		1				
074	808723-2	CAUTION LABEL		1				
075	801D20-9	SERIAL NO. LABEL		1				
076	898836-7	CAUTION LABEL		1	*			
076-1	803A13-4	CAUTION LABEL	O	1				
077	819312-8	MAKITA LOGO LABEL		1				
101	922233-6	H.S.H.BOLT M5X20 WITH WR		1				
102	424302-4	PLUG CAP		1				
103	453535-4	CYLINDER COVER		1	*			
103-1	455103-9	CYLINDER COVER	S	1				
104	922233-6	H.S.H.BOLT M5X20 WITH WR		1				
105	453536-2	MUFFLER COVER		1				
106	265995-6	TAPPING SCREW 4X18		2				
107	922332-4	HEX. SOCKET HEAD BOLT M6X20		3				
108	168715-6	EXHAUST MUFFLER		1				
109	346574-0	MUFFLER GASKET		1				
110	331987-8	EXHAUST PORT SPACER		1				
111	922226-3	HEX. SOCKET HEAD BOLT M5X18		4				
112	318850-2	ROCKER COVER OUTER		1				
113	422091-5	TUBE 5-160		1				
114	454424-6	CORRUGATE TUBE		1				
115	453529-9	ROCKER COVER INNER		1				
116	162335-8	ROCKER COVER GASKET		1				
117	324891-8	PLUG CAP SPRING		1				
118	168401-9	SPARK PLUG		1				
119	422090-7	TUBE 3-85		1				
120	452049-0	SPACER		2				
121	135557-3	CYLINDER BLOCK ASSEMBLY		1	*			
D10		INC. 122-124			*			
121-1	135659-5	CYLINDER BLOCK ASS'Y	S	1				
D10		INC. 122-124						

Please order the parts with part number.

Print Date 24/1/2022

Model No.EM4350LH PETROL BRUSHCUTTER

Item	Parts No.	Description	I/C	Qty	New/Old	Opt. 1	Opt. 2	Note
122	424200-2	SPACER		2				
123	424201-0	CHECK VALVE		2				
124	922342-1	HEX. SOCKET HEAD BOLT M6X25		8	*			
124-1	266087-4	HEX.BOLT M6X25	<	8				
125	422099-9	PIPE		1				
126	282020-8	HOSE CLAMP		1	*			
126-1	282020-8	HOSE CLAMP	O	1				
127	424301-6	OIL TUBE		1	*			
127-1	125805-8	OIL TUBE ASSEMBLY	S	1				
C10	424301-6	OIL TUBE		1				
D10		INC. 126,128						
128	325666-8	OIL WEIGHT		1	*			
128-1	325666-8	OIL WEIGHT	O	1				
129	162337-4	OIL CASE GASKET		1				
130	266760-6	H.S.H.BOLT M5X18 WITH WRM		3				
131	452047-4	OIL CAP		1				
132	424343-0	GASKET		1				
133	453538-8	OIL PIPE		1				
134	162338-2	OIL PIPE GASKET		1				
135	318854-4	OIL CASE		1				
136	922226-3	HEX. SOCKET HEAD BOLT M5X18		4				
137	346305-7	GASKET		1				
138	266611-3	HEX BOLT M6X8		1				
139	346398-4	LEAD VALVE		1				
140	318851-0	RETAINER PLATE		1				
141	922226-3	HEX. SOCKET HEAD BOLT M5X18		1				
142	325665-0	JOINT PIPE		1				
143	168724-5	TUBE COMPLETE		1				
144	454426-2	SPIRAL TUBE 6-80		1				
145	163518-3	GASOLINE FILTER		1				
146	282020-8	HOSE CLAMP		1				
150	126119-8	STARTER COVER ASSEMBLY		1				
D10		INC. 151-157						
151	266634-1	SET SCREW M6X20		1	*			
151-1	SG00000013	SET SCREW M6X20	O	1				
152	452288-2	REEL		1				
153	232262-4	SPIRAL SPRING		1	*			
153-1	SG00000014	SPIRAL SPRING	O	1				
154	424361-8	STARTER KNOB		1				
155	424360-0	ROPE STOPPER		1				
156	444027-4	STARTER ROPE		1				

Please order the parts with part number.

Print Date 24/1/2022

Model No.EM4350LH PETROL BRUSHCUTTER

Item	Parts No.	Description	I/C	Qty	New/Old	Opt. 1	Opt. 2	Note
157	453534-6	STARTER COVER		1				
158	922233-6	H.S.H.BOLT M5X20 WITH WR		4				
160	126116-4	ROCKER ARM ASSEMBLY		2				
161	331990-9	COTTER		4				
162	331991-7	RETAINER		2				
163	234238-7	COMPRESSION SPRING 11		2				
164	256200-2	PIN 5		1				
165	256866-8	ROD 2.5		2				
166	268238-5	PIN 5		1				
167	313236-5	CAM LIFTER		2				
168	256186-0	PIN 5		1				
169	126115-6	CAM GEAR ASSEMBLY		1	*			
169-1	126495-0	CAM GEAR ASSEMBLY	<	1	*			
169-2	126556-6	CAMGEAR ASSEMBLY	<	1	*			
169-3	126571-0	CAMGEAR ASSEMBLY	<	1				
170	261127-3	FLUOROPLASTIC WASHER 10		1	*			
170-1	261127-3	FLUOROPLASTIC WASHER 10	O	1	*			
170-2	261127-3	FLUOROPLASTIC WASHER 10	O	1				
171	326158-0	EXHAUST VALVE		1	*			
171-1	326498-6	EXHAUST VALVE	S	1	*			
171-2	326575-4	EXHAUST VALVE	<	1				
172	326157-2	INTAKE VALVE		1				
173	196667-1	PISTON RING SET		1				
174	233983-1	CLIP		2				
175	318853-6	PISTON		1	*			
175-1	197455-9	PISTON SET	<	1				
C10	318853-6	PISTON		1				
D10		INC. 173,174						
176	268285-6	PISTON PIN		1				
177	213685-5	OIL SEAL 12		1				
178	126121-1	CRANK SHAFT ASSEMBLY		1				
D10		INC. 177,180,181						
179	254040-2	WOODRUFF KEY 3		1				
180	267425-3	FLAT WASHER 26		1				
181	213537-0	OIL SEAL 12		1				
182	266086-6	HEX. SOCKET HEAD BOLT M5X16		4				
183	318856-0	CAM GEAR COVER		1				
184	162334-0	CAM GEAR COVER GASKET		1				
185	638974-1	LEAD UNIT		1				
186	638975-9	LEAD UNIT		1				
187	444021-6	TUBE		1				
188	168714-8	IGNITION COIL		1				

Please order the parts with part number.

Print Date 24/1/2022

Model No.EM4350LH PETROL BRUSHCUTTER

Item	Parts No.	Description	I/C	Qty	New/Old	Opt. 1	Opt. 2	Note
189	266602-4	HEX. SOCKET HEAD BOLT M4X20		2				
190	126122-9	FLYWHEEL COMPLETE		1				
191	264075-5	COLLARD HEX NUT M8		1	*			
191-1	264039-9	CONED DISK SPRING HEXNUT M8-13	<	1	*			
191-2	264039-9	CONED DISK SPRING HEXNUT M8-13	<	1				
192	125728-0	FUEL TANK CAP ASSEMBLY		1	*			
192-1	127112-5	FUEL TANK CAP ASSEMBLY	O	1				
194	810455-9	CAUTION PLATE		1				
195	424081-4	BUFFER RUBBER		1				
196	897220-3	SERIAL NO. LABEL		1				
197	898842-2	GAS EMISSION APPROVAL LABEL		1	*			
198	922233-6	H.S.H.BOLT M5X20 WITH WR		1				
199	261152-4	RUBBER WASHER 8		1				
200	331988-6	SPACER		1				
201	168718-0	FUEL TANK		1	*			
201-1	168875-4	FUEL TANK	<	1				
202	922332-4	HEX. SOCKET HEAD BOLT M6X20		4				
203	318852-8	ENGINE BASE		1				
204	266597-1	SHOULDER HEX. BOLT M8		2				
205	267832-0	WAVE WASHER 10		2				
206	313238-1	CLUTCH SHOE		2				
207	231880-5	TENSION SPRING 5		2	*			
207-1	232290-9	TENSION SPRING 6	<	2				
208	267428-7	FLAT WASHER 8		2				
209	313239-9	CLUTCH BASE		1				
210	346576-6	FAN PLATE		1				
211	266461-6	H.S.BUTTON HEAD SCREW M5X8		2				
212	453530-4	MUFFLER PLATE		1				
213	922233-6	H.S.H.BOLT M5X20 WITH WR		1	*			
213-1	266760-6	H.S.H.BOLT M5X18 WITH WRM	<	1				
214	345918-1	HOSE CLAMP		1				
215	126118-0	CLEANER COVER ASSEMBLY		1	*			
C10	801S44-5	INDICATION LABEL		1	*			
D10		INC. 216,217			*			
215-1	126474-8	CLEANER COVER ASSEMBLY	S	1	*			
C10	801S44-5	INDICATION LABEL		1	*			
D10		INC. 216,217			*			
215-2	126523-1	CLEANER COVER ASSEMBLY	S	1				
D10		INC. 216,217						

Model No.EM4350LH PETROL BRUSHCUTTER

Item	Parts No.	Description	I/C	Qty	New/Old	Opt. 1	Opt. 2	Note
216	266743-6	HEX.SOCKET HEAD BOLT M5X20		1	*			
216-1	266743-6	HEX.SOCKET HEAD BOLT M5X20	O	2				
217	898844-8	INDICATION LABEL		1				
218	442181-8	AIR CLEANER ELEMENT		1	*			
218-1	442181-8	AIR CLEANER ELEMENT	O	1				
219	266601-6	HEX. SOCKET HEAD BOLT M5X60		2	*			
219-1	266601-6	HEX. SOCKET HEAD BOLT M5X60	S	2				
220	443173-0	AIR CLEANER ELEMENT		1	*			
220-1	443196-8	AIR CLEANER ELEMENT	S	1				
221	126117-2	CLEANER PLATE ASSEMBLY		1	*			
D10		INC. 222-226			*			
221-1	123994-3	CLEANER PLATE ASSEMBLY	S	1				
D10		INC. 222-226						
222	162346-3	SEPARATOR PLATE		1				
223	352020-3	SEPARATOR MESH		1				
224	266007-8	TAPPING SCREW BIND PT 3X10		1				
225	453865-3	SEPARATOR CASE		1				
226	424316-3	CHECK VALVE		2				
227	454425-4	SPIRAL TUBE 6-100		1				
228	422074-5	TUBE 3-120		1				
229	168398-2	PRIMER PUMP		1				
230	442196-5	CARBURETOR GASKET		1				
231	126339-4	CARBURETOR ASSEMBLY		1	*			
231-1	126339-4	CARBURETOR ASSEMBLY	O	1				
232	345963-6	CLAMP		1				
233	266388-0	TAPPING SCREW 5X16		1				
234	442197-3	CARBURETOR GASKET		1				
235	922233-6	H.S.H.BOLT M5X20 WITH WR		2	*			
235-1	266814-9	HEX SOCKET HEAD BOLT M5X20	<	2				
236	424489-2	GROMMET		1				
237	422080-0	TUBE 3-35		1				
238	142128-9	INSULATOR COMPLETE		1	*			
238-1	142736-6	INSULATOR COMPLETE	S	1				
239	213642-3	O-RING 18		1				
240	819430-2	CAUTION TAG		1				
241	898832-5	EM4350LH MODEL NO. LABEL		1				
242	451825-9	CLAMP		1				
243	WJ00096589	SCREW ASSEMBLY		1				
244	WJ00021158	METERING DIAPHRAGM COVER		1				

Model No.EM4350LH PETROL BRUSHCUTTER

Item	Parts No.	Description	I/C	Qty	New/Old	Opt. 1	Opt. 2	Note
245	168620-7	METERING DIAPHRAGM		1				
246	442183-4	METERING DIAPHRAGM GASKET		1				
247	WJ00014477	METERING LEVER PIN		1				
248	WJ00016648	LEVER		1				
249	WJ00983248	SPRING		1				
250	5416036160	PLUG-WELCH		1				
251	WJ00088229	CUP PLUG		1				
252	5806084330	STEEL BALL		1				
253	WJ00160593	ACCELERATOR PISTON ASSEMBLY		1				
254	WJ00983305	SPRING		1				
255	WJ00963240	SCREW		1				
256	WJ00343562	THROTTLE VALVE		1				
257	WJ01023345	HIGH SPEED NEEDLE		1				
258	WJ01023344	IDLE NEEDLE		1				
259	WJ00025162	LIMITER CAP		1				
260	257964-1	STOP RING E-3		1				
261	WJ00098494	SPRING		1				
262	WJ00224392	THROTTLE SHAFT ASSEMBLY		1				
263	413140-9	WASHER		1				
264	5246001210	SWIVEL		1				
265	5016004110	SCREW		1				
266	WJ00008282	INLET NEEDLE VALVE		1				
267	WJ00001673	RETAINING RING		1				
268	WJ00183585	CHOKE LEVER		1				
269	WJ00044456	CHOKE SHAFT		1				
270	5806122210	SPRING		1				
271	5806122220	BALL		1				
272	WJ00006295	CHOKE VALVE		1				
273	WJ00096475	SCREW		1				
274	352010-6	INLET SCREEN		1	*			
274-1	WJ00014070	INLET SCREEN	O	1				
275	WJ00009589	PUMP DIAPHRAGM		1				
276	WJ00092228	GASKET		1				
277	234183-6	CONICAL COMPRESSION SPRING 5-9		1				
278	WJ00213807	PUMP COVER ASSEMBLY		1				
279	WJ00096166	SCREW		1				
280	WJ00098217	SPRING		1				
281	WJ00096368	IDLE ADJUST SCREW		1				
282	455102-1	CHANGE PLATE	S	1				
283	266385-6	TAPPING SCREW 4X14	S	1				
284	267485-5	FLAT WASHER 5	S	2				

Please order the parts with part number.

Print Date 24/1/2022

Model No.EM4350LH PETROL BRUSHCUTTER

Item	Parts No.	Description	I/C	Qty	New/Old	Opt. 1	Opt. 2	Note
285	922353-6	HEX.SOCKET HEAD BOLT M6X30	S	1				
A01	126187-1	BAND ASSY		1				
A02	451252-0	TOOL COVER		1				
A03	195501-2	OIL SET		1	*			
A03-1	197008-4	OIL SET	O	1	*			
A03-2	191A19-7	OIL SET	O	1	*			
A03-3	197008-4	OIL SET	O	1				
A04	782233-6	BOX DRIVER 10-16		1				
A05	783223-2	HEX. WRENCH 4		1				
A06	783232-1	HEX. WRENCH 5		1				
A07	782238-6	BOX WRENCH 17		1				
A08	831304-7	ACCESSORY BAG		1				
A09	122882-1	TRIMMER HEAD ASSEMBLY 152-M10L		1				

Please order the parts with part number.

Print Date 24/1/2022