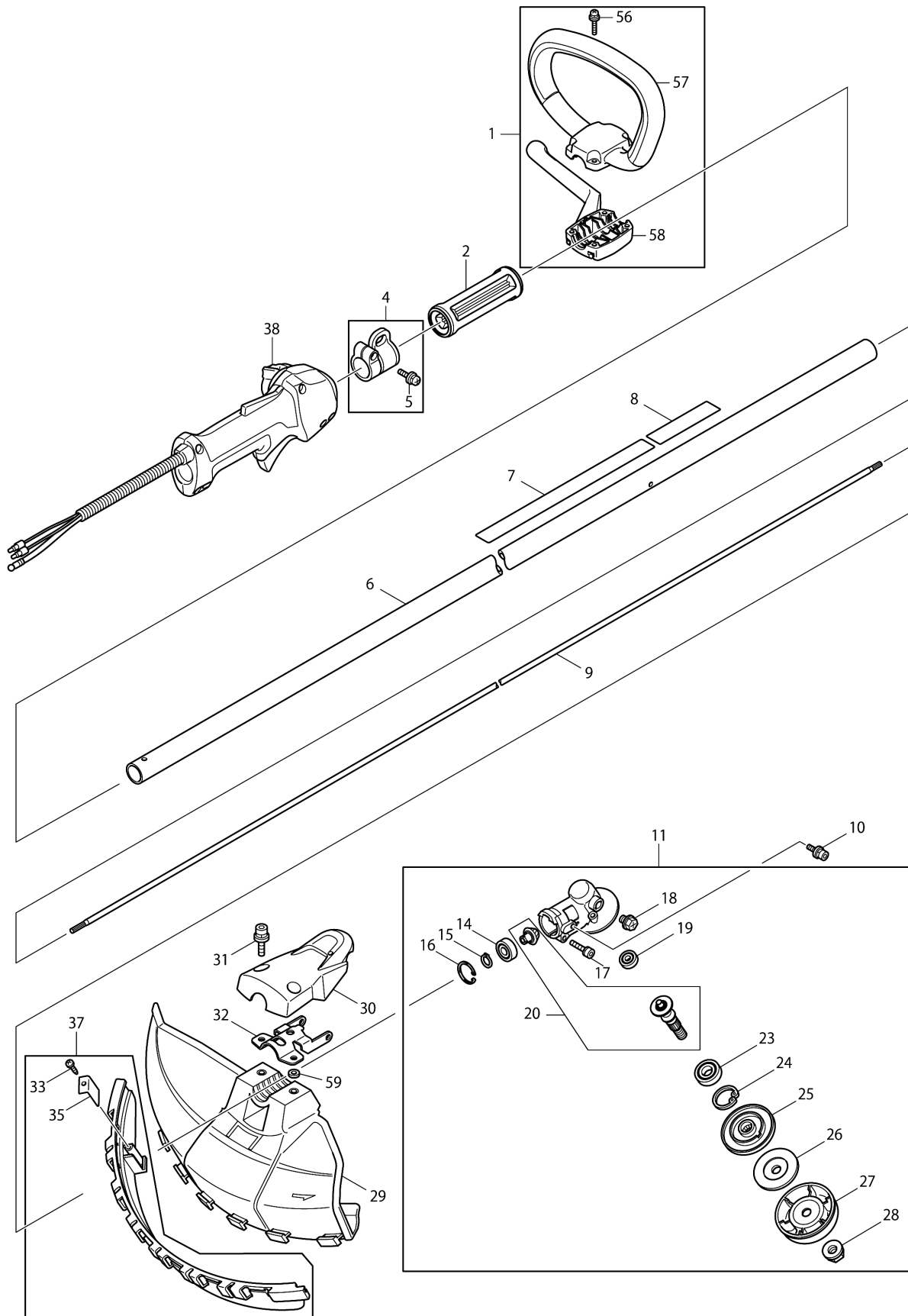
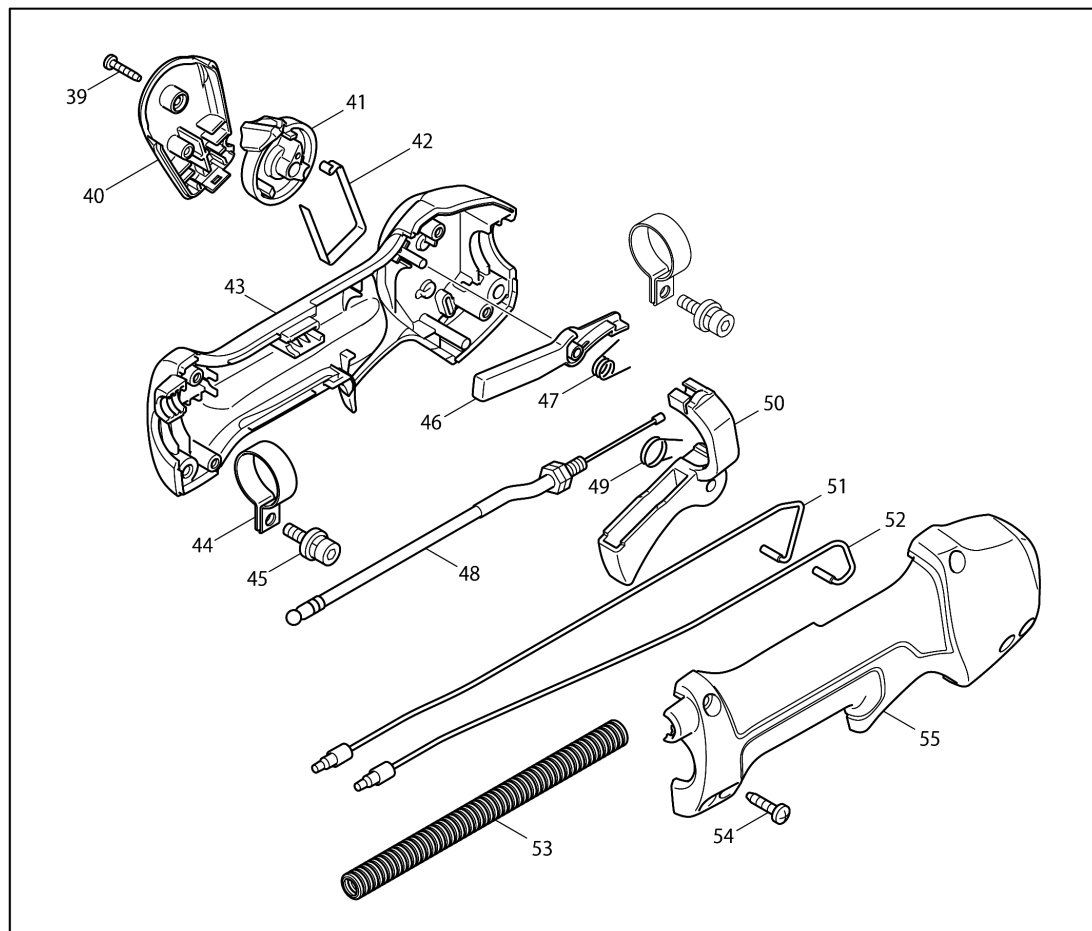


# Model No.EM2651LH PETROL BRUSH CUTTER





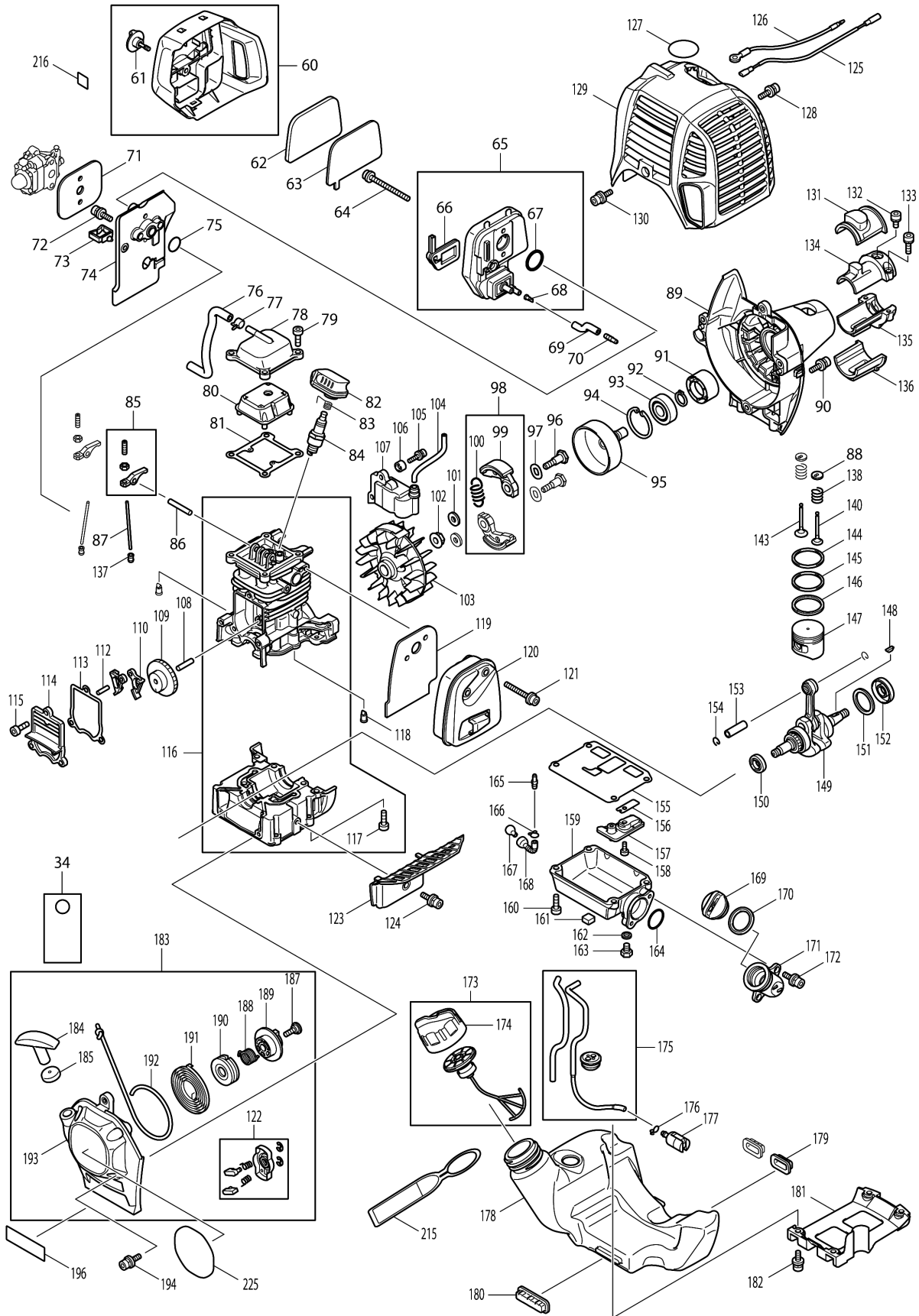
### Model No.EM2651LH PETROL BRUSH CUTTER



38



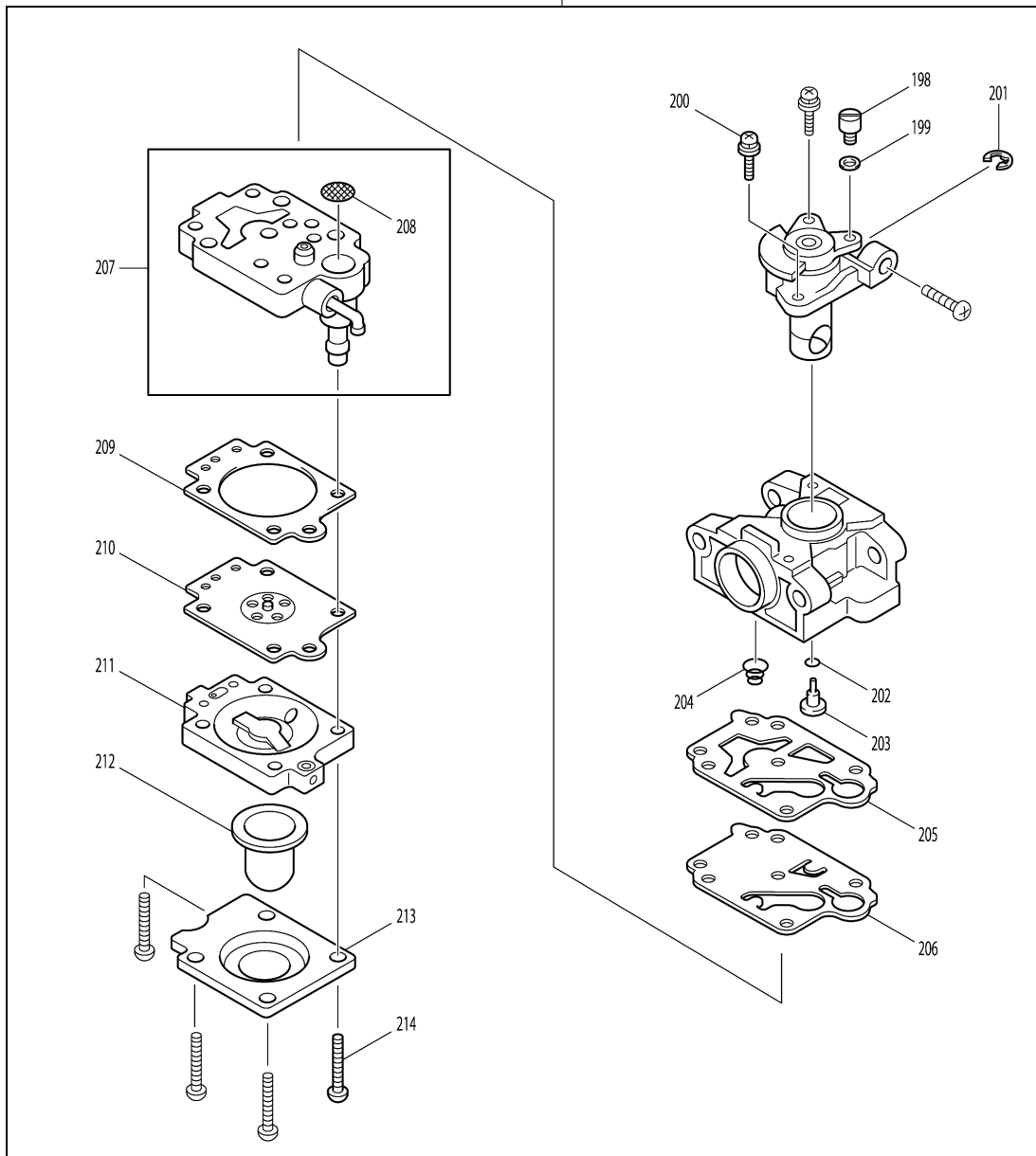
### Model No.EM2651LH PETROL BRUSH CUTTER





Model No.EM2651LH PETROL BRUSH CUTTER

197







## Model No.EM2651LH PETROL BRUSH CUTTER

| Item  | Parts No. | Description                 | I/C | Qty | New/Old | Opt. 1 | Opt. 2 | Note |
|-------|-----------|-----------------------------|-----|-----|---------|--------|--------|------|
| 001   | 195215-3  | LOOP HANDLE SET             |     | 1   |         |        |        |      |
| C10   | 783014-1  | + SCREW DRIVER 2            |     | 1   |         |        |        |      |
| D10   |           | INC. 56-58                  |     |     |         |        |        |      |
| 002   | 451601-1  | SPACER 24                   |     | 1   |         |        |        |      |
| 004   | 195143-2  | HANGER SET                  |     | 1   |         |        |        |      |
| D10   |           | INC. 5                      |     |     |         |        |        |      |
| 005   | 911233-1  | PAN HEAD SCREW M5X20        |     | 1   |         |        |        |      |
| 006   | 140431-2  | SHAFT PIPE COMPLETE         |     | 1   |         |        |        |      |
| 007   | 891166-5  | CAUTION LABEL               |     | 1   |         |        |        |      |
| 008   | 819312-8  | MAKITA LOGO LABEL           |     | 1   |         |        |        |      |
| 009   | 324893-4  | SHAFT                       |     | 1   | *       |        |        |      |
| 009-1 | 327056-1  | SHAFT                       | O   | 1   |         |        |        |      |
| 010   | 922218-2  | H.S.H.BOLT M5X14 WITH WR    |     | 2   | *       |        |        |      |
| 010-1 | 922206-9  | HEX. SOCKET HEAD BOLT M5X10 | >   | 2   |         |        |        |      |
| 011   | 125556-3  | GEAR CASE ASSEMBLY          |     | 1   | *       |        |        |      |
| D10   |           | INC. 14-20,23-28            |     |     | *       |        |        |      |
| 011-1 | 123833-7  | GEAR CASE ASSEMBLY          | S   | 1   |         |        |        |      |
| D10   |           | INC. 14-16,18-20,23-28      |     |     |         |        |        |      |
| 014   | 210049-4  | BALL BEARING 609ZZ          |     | 1   | *       |        |        |      |
| 014-1 | 210157-1  | BALL BEARING 609ZZ          | O   | 1   |         |        |        |      |
| 015   | 961005-4  | RETAINING RING S-9          |     | 1   | *       |        |        |      |
| 015-1 | 257986-1  | RETAINING RING (EXT) S-9    | O   | 1   |         |        |        |      |
| 016   | 962103-7  | RETAINING RING R-24         |     | 1   | *       |        |        |      |
| 016-1 | 257987-9  | RETAINING RING (INT)R-24    | O   | 1   |         |        |        |      |
| 017   | 922241-7  | HEX. SOCKET HEAD BOLT M5X25 |     | 1   |         |        |        |      |
| 018   | 265590-2  | +HEX.BOLT M8X10 WITH R      |     | 1   |         |        |        |      |
| 019   | 211019-6  | BALL BEARING 626            |     | 1   | *       |        |        |      |
| 020   | 188866-9  | CUTTER SHAFT SET            |     | 1   | *       |        |        |      |
| 020-1 | 188902-1  | CUTTER SHAFT SET            | S   | 1   | *       |        |        |      |
| 020-2 | 183A00-2  | CUTTER SHAFT SET            | O   | 1   | *       |        |        |      |
| 020-3 | 183K10-9  | CUTTER SHAFT SET            | O   | 1   |         |        |        |      |
| 023   | 210115-7  | BALL BEARING 6001LLU        |     | 1   |         |        |        |      |
| 024   | 962106-1  | RETAINING RING R-28         |     | 1   | *       |        |        |      |
| 024-1 | 257407-3  | RETAINING RING (INT)R-28    | O   | 1   |         |        |        |      |
| 025   | 331861-0  | RECEIVE WASHER              |     | 1   | *       |        |        |      |
| 025-1 | 326821-5  | RECEIVE WASHER              | O   | 1   |         |        |        |      |
| 026   | 346084-7  | CLAMP WASHER                |     | 1   |         |        |        |      |
| 027   | 168526-9  | CUP                         |     | 1   |         |        |        |      |
| 028   | 264025-0  | HEX. NUT M10-17             |     | 1   |         |        |        |      |
| 029   | 452260-4  | PROTECTOR                   |     | 1   |         |        |        |      |
| 030   | 451097-6  | PROTECTOR COVER             |     | 1   | *       |        |        |      |

Please order the parts with part number.

Print Date 26/6/2019

## Model No.EM2651LH PETROL BRUSH CUTTER

| Item  | Parts No. | Description                    | I/C | Qty | New/Old | Opt. 1 | Opt. 2 | Note |
|-------|-----------|--------------------------------|-----|-----|---------|--------|--------|------|
| 031   | 266579-3  | HEX SOCKET HEAD BOLT<br>M6X30  |     | 2   | *       |        |        |      |
| 031-1 | 266280-0  | HEX. SOCKET HEAD BOLT<br>M6X25 | >   | 2   |         |        |        |      |
| 032   | 346073-2  | PROTECTOR CLAMP                |     | 1   | *       |        |        |      |
| 032-1 | 347012-5  | PROTECTOR CLAMP 24             | S   | 1   |         |        |        |      |
| 033   | 266326-2  | TAPPING SCREW 4X18             |     | 1   |         |        |        |      |
| 034   | 819430-2  | CAUTION TAG                    |     | 1   |         |        |        |      |
| 035   | 346074-0  | CUTTER                         |     | 1   | *       |        |        |      |
| 035-1 | 347050-7  | CUTTER                         | O   | 1   |         |        |        |      |
| 037   | 135398-7  | PROTECTOR EXTENSION<br>ASSY    |     | 1   |         |        |        |      |
| D10   |           | INC. 33,35                     |     |     |         |        |        |      |
| 038   | 125776-9  | CONTROL LEVER ASSEMBLY         |     | 1   | *       |        |        |      |
| D10   |           | INC. 39-55                     |     |     | *       |        |        |      |
| 038-1 | 126488-7  | CONTROL LEVER ASSEMBLY         | <   | 1   |         |        |        |      |
| D10   |           | INC. 39-55                     |     |     |         |        |        |      |
| 039   | 266130-9  | TAPPING SCREW BIND PT<br>3X16  |     | 1   |         |        |        |      |
| 040   | 451595-0  | SWITCH COVER                   |     | 1   |         |        |        |      |
| 041   | 451594-2  | SWITCH LEVER                   |     | 1   |         |        |        |      |
| 042   | 232251-9  | LEAF SPRING                    |     | 1   |         |        |        |      |
| 043   | 188832-6  | LEVER CASE SET                 |     | 1   |         |        |        |      |
| D10   |           | INC. 55                        |     |     |         |        |        |      |
| 044   | 346248-3  | CLAMP 24                       |     | 2   | *       |        |        |      |
| 044-1 | 346248-3  | CLAMP 24                       | O   | 2   |         |        |        |      |
| 045   | 922218-2  | H.S.H.BOLT M5X14 WITH WR       |     | 2   | *       |        |        |      |
| 045-1 | 922206-9  | HEX. SOCKET HEAD BOLT<br>M5X10 | >   | 2   |         |        |        |      |
| 046   | 451593-4  | LOCK LEVER                     |     | 1   |         |        |        |      |
| 047   | 233541-3  | TORSION SPRING 7               |     | 1   |         |        |        |      |
| 048   | 168571-4  | CONTROL CABLE                  |     | 1   |         |        |        |      |
| 049   | 233540-5  | TORSION SPRING 11              |     | 1   |         |        |        |      |
| 050   | 451592-6  | THROTTLE LEVER                 |     | 1   | *       |        |        |      |
| 050-1 | 455313-8  | THROTTLE LEVER                 | <   | 1   |         |        |        |      |
| 051   | 638714-7  | LEAD UNIT                      |     | 1   |         |        |        |      |
| 052   | 638713-9  | LEAD UNIT                      |     | 1   |         |        |        |      |
| 053   | 452071-7  | CORRUGATE TUBE                 |     | 1   |         |        |        |      |
| 054   | 266326-2  | TAPPING SCREW 4X18             |     | 4   |         |        |        |      |
| 055   | 188832-6  | LEVER CASE SET                 |     | 1   |         |        |        |      |
| D10   |           | INC. 43                        |     |     |         |        |        |      |
| 056   | 911253-5  | PAN HEAD SCREW M5X30           |     | 4   |         |        |        |      |
| 057   | 451598-4  | LOOP HANDLE 24                 |     | 1   |         |        |        |      |
| 058   | 451599-2  | HANDLE CLAMP 24                |     | 1   |         |        |        |      |
| 059   | 413143-3  | WASHER                         |     | 2   |         |        |        |      |

Please order the parts with part number.

Print Date 26/6/2019

## Model No.EM2651LH PETROL BRUSH CUTTER

| Item  | Parts No. | Description                    | I/C | Qty | New/Old | Opt. 1 | Opt. 2 | Note |
|-------|-----------|--------------------------------|-----|-----|---------|--------|--------|------|
| 060   | 125746-8  | CLEANER COVER ASSEMBLY         |     | 1   | *       |        |        |      |
| D10   |           | INC. 61                        |     |     | *       |        |        |      |
| 060-1 | 126202-1  | CLEANER COVER ASSEMBLY         | S   | 1   | *       |        |        |      |
| D10   |           | INC. 61                        |     |     | *       |        |        |      |
| 060-2 | 123499-3  | CLEANER COVER ASSEMBLY         | S   | 1   |         |        |        |      |
| D10   |           | INC. 61                        |     |     |         |        |        |      |
| 061   | 265791-2  | THUMB SCREW M4                 |     | 1   |         |        |        |      |
| 062   | 443141-3  | AIR CLEANER ELEMENT            |     | 1   | *       |        |        |      |
| 062-1 | 443171-4  | AIR CLEANER ELEMENT            | S   | 1   |         |        |        |      |
| 063   | 443140-5  | AIR CLEANER ELEMENT            |     | 1   | *       |        |        |      |
| 063-1 | 443169-1  | AIR CLEANER ELEMENT            | S   | 1   |         |        |        |      |
| 064   | 266601-6  | HEX. SOCKET HEAD BOLT<br>M5X60 |     | 2   | *       |        |        |      |
| 064-1 | 266618-9  | H.S.BUTTON HEAD BOLT<br>M5X60  | O   | 2   |         |        |        |      |
| 065   | 125833-3  | CLEANER PLATE ASSEMBLY         |     | 1   | *       |        |        |      |
| D10   |           | INC. 66-68,E01-E03             |     |     | *       |        |        |      |
| 065-1 | 126004-5  | CLEANER PLATE ASSEMBLY         | <   | 1   | *       |        |        |      |
| C10   | 162322-7  | SEPARATOR STOPPER              |     | 1   | *       |        |        |      |
| C20   | 162325-1  | SEPARATOR GASKET               |     | 1   | *       |        |        |      |
| C30   | 352013-0  | SEPARATOR NET                  |     | 1   | *       |        |        |      |
| D10   |           | INC. 66-68,E01-E03             |     |     | *       |        |        |      |
| 065-2 | 126198-6  | CLEANER PLATE ASSEMBLY         | S   | 1   | *       |        |        |      |
| C10   | 266007-8  | TAPPING SCREW BIND PT<br>3X10  |     | 1   | *       |        |        |      |
| D10   |           | INC. 66-68,E01-E03,227,228     |     |     | *       |        |        |      |
| 065-3 | 123501-2  | CLEANER PLATE ASSEMBLY         | S   | 1   |         |        |        |      |
| C10   | 266007-8  | TAPPING SCREW BIND PT<br>3X10  |     | 1   |         |        |        |      |
| D10   |           | INC. 66-68,E01-E03,227,228     |     |     |         |        |        |      |
| 066   | 162300-7  | SEPARATOR PLATE                |     | 1   | *       |        |        |      |
| 066-1 | 162324-3  | SEPARATOR PLATE                | <   | 1   | *       |        |        |      |
| 066-2 | 162346-3  | SEPARATOR PLATE                | S   | 1   |         |        |        |      |
| 067   | 213540-1  | O RING 15                      |     | 1   |         |        |        |      |
| 068   | 424316-3  | CHECK VALVE                    |     | 1   | *       |        |        |      |
| 068-1 | 424316-3  | CHECK VALVE                    | S   | 2   |         |        |        |      |
| 069   | 422062-2  | PIPE                           |     | 1   | *       |        |        |      |
| 069-1 | 422099-9  | PIPE                           | S   | 1   |         |        |        |      |
| 070   | 325665-0  | JOINT PIPE                     |     | 1   |         |        |        |      |
| 071   | 442153-3  | CARBURETOR GASKET              |     | 1   |         |        |        |      |
| 072   | 922228-9  | H.S.H.BOLT M5X18 WITH WR       |     | 2   | *       |        |        |      |
| 072-1 | 266787-6  | H.S.H.BOLT M5X18 WITH WR       | <   | 2   |         |        |        |      |
| 073   | 451825-9  | CLAMP                          |     | 1   |         |        |        |      |
| 074   | 451729-5  | INSULATOR                      |     | 1   |         |        |        |      |

Please order the parts with part number.

Print Date 26/6/2019

## Model No.EM2651LH PETROL BRUSH CUTTER

| Item  | Parts No. | Description                    | I/C | Qty | New/Old | Opt. 1 | Opt. 2 | Note |
|-------|-----------|--------------------------------|-----|-----|---------|--------|--------|------|
| 075   | 213547-7  | O-RING 12                      |     | 1   |         |        |        |      |
| 076   | 422055-9  | BREATHER PIPE                  |     | 1   | *       |        |        |      |
| 076-1 | 422109-2  | BREATHER PIPE                  | <   | 1   |         |        |        |      |
| 077   | 345918-1  | HOSE CLAMP                     |     | 1   |         |        |        |      |
| 078   | 318587-1  | ROCKER COVER OUTER             |     | 1   | *       |        |        |      |
| 078-1 | 318745-9  | ROCKER COVER OUTER             | <   | 1   |         |        |        |      |
| 079   | 266570-1  | HEX. SOCKET HEAD BOLT<br>M5X16 |     | 4   | *       |        |        |      |
| 079-1 | 922222-1  | HEX. SOCKET HEAD BOLT<br>M5X16 | O   | 4   |         |        |        |      |
| 080   | 451728-7  | ROCKER COVER INNER             |     | 1   | *       |        |        |      |
| 080-1 | 452795-5  | ROCKER COVER INNER             | <   | 1   | *       |        |        |      |
| 080-2 | 453860-3  | ROCKER COVER INNER             | S   | 1   |         |        |        |      |
| 081   | 162304-9  | ROCKER COVER GASKET            |     | 1   |         |        |        |      |
| 082   | 424302-4  | PLUG CAP                       |     | 1   |         |        |        |      |
| 083   | 324891-8  | PLUG CAP SPRING                |     | 1   |         |        |        |      |
| 084   | 168534-0  | SPARK PLUG                     |     | 1   |         |        |        |      |
| 085   | 125554-7  | ROCKER ARM ASSEMBLY            |     | 2   |         |        |        |      |
| 086   | 256200-2  | PIN 5                          |     | 1   |         |        |        |      |
| 087   | 256865-0  | ROD 2.5                        |     | 2   |         |        |        |      |
| 088   | 325668-4  | SPRING RETAINER                |     | 2   |         |        |        |      |
| 089   | 451735-0  | CLUTCH CASE                    |     | 1   | *       |        |        |      |
| 089-1 | 143823-4  | CLUTCH CASE COMPLETE           | <   | 1   |         |        |        |      |
| 090   | 922228-9  | H.S.H.BOLT M5X18 WITH WR       |     | 3   |         |        |        |      |
| 091   | 450569-8  | SPACER                         |     | 1   | *       |        |        |      |
| 091-1 | 450569-8  | SPACER                         | O   | 1   |         |        |        |      |
| 092   | 961052-5  | RETAINING RING S-12            |     | 1   |         |        |        |      |
| 093   | 210111-5  | BALL BEARING 6201LLU           |     | 1   | *       |        |        |      |
| 093-1 | 210111-5  | BALL BEARING 6201LLU           | O   | 1   |         |        |        |      |
| 094   | 962151-6  | RETAINING RING R-32            |     | 1   |         |        |        |      |
| 095   | 168609-5  | CLUTCH DRUM                    |     | 1   | *       |        |        |      |
| 095-1 | 168809-7  | CLUTCH DRUM COMPLETE           | O   | 1   | *       |        |        |      |
| 095-2 | 161588-6  | CLUTCH DRUM COMPLETE           | <   | 1   |         |        |        |      |
| 096   | 266457-7  | SHOULDER HEX. BOLT M6X25       |     | 2   | *       |        |        |      |
| 096-1 | 266864-4  | SHOULDER HEX. BOLT M6X25       | O   | 2   |         |        |        |      |
| 097   | 267817-6  | WASHER 8                       |     | 2   |         |        |        |      |
| 098   | 125518-1  | CLUTCH ASSEMBLY                |     | 1   | *       |        |        |      |
| D10   |           | INC. 99,100                    |     |     | *       |        |        |      |
| 098-1 | 126135-0  | CLUTCH ASSEMBLY                | <   | 1   |         |        |        |      |
| D10   |           | INC. 99,100                    |     |     |         |        |        |      |
| 099   | 168498-8  | CLUTCH SHOE                    |     | 2   | *       |        |        |      |
| 099-1 | 161332-1  | CLUTCH SHOE                    | O   | 2   |         |        |        |      |
| 100   | 231858-8  | TENSION SPRING 6               |     | 1   | *       |        |        |      |

Please order the parts with part number.

Print Date 26/6/2019

## Model No.EM2651LH PETROL BRUSH CUTTER

| Item  | Parts No. | Description                    | I/C | Qty | New/Old | Opt. 1 | Opt. 2 | Note |
|-------|-----------|--------------------------------|-----|-----|---------|--------|--------|------|
| 100-1 | 231881-3  | TENSION SPRING 7               | <   | 1   |         |        |        |      |
| 101   | 267812-6  | WASHER 6                       |     | 2   |         |        |        |      |
| 102   | 264039-9  | CONED DISK SPRING HEXNUT M8-13 |     | 1   | *       |        |        |      |
| 102-1 | 264039-9  | CONED DISK SPRING HEXNUT M8-13 | <   | 1   |         |        |        |      |
| 103   | 318569-3  | FLYWHEEL                       |     | 1   |         |        |        |      |
| 104   | 444021-6  | TUBE                           |     | 1   |         |        |        |      |
| 105   | 266602-4  | HEX. SOCKET HEAD BOLT M4X20    |     | 2   |         |        |        |      |
| 106   | 452049-0  | SPACER                         |     | 2   |         |        |        |      |
| 107   | 168559-4  | IGNITION COIL                  |     | 1   | *       |        |        |      |
| 107-1 | 161483-0  | IGNITION COIL                  | <   | 1   |         |        |        |      |
| 108   | 268238-5  | PIN 5                          |     | 1   |         |        |        |      |
| 109   | 125552-1  | CAM GEAR ASSEMBLY              |     | 1   |         |        |        |      |
| 110   | 313169-4  | CAM LIFTER                     |     | 2   |         |        |        |      |
| 112   | 268239-3  | PIN 4                          |     | 1   |         |        |        |      |
| 113   | 162274-2  | CAM GEAR COVER GASKET          |     | 1   |         |        |        |      |
| 114   | 318443-5  | CAM GEAR COVER                 |     | 1   |         |        |        |      |
| 115   | 266570-1  | HEX. SOCKET HEAD BOLT M5X16    |     | 3   | *       |        |        |      |
| 115-1 | 922222-1  | HEX. SOCKET HEAD BOLT M5X16    | O   | 3   |         |        |        |      |
| 116   | 135403-0  | CYLINDER BLOCK ASSEMBLY        |     | 1   | *       |        |        |      |
| D10   |           | INC. 117                       |     |     | *       |        |        |      |
| 116-1 | 135478-9  | CYLINDER BLOCK ASSEMBLY        | <   | 1   | *       |        |        |      |
| D10   |           | INC. 117                       |     |     | *       |        |        |      |
| 116-2 | 135478-9  | CYLINDER BLOCK ASSEMBLY        | <   | 1   |         |        |        |      |
| D10   |           | INC. 88,117,118                |     |     |         |        |        |      |
| 117   | 266570-1  | HEX. SOCKET HEAD BOLT M5X16    |     | 6   | *       |        |        |      |
| 117-1 | 922222-1  | HEX. SOCKET HEAD BOLT M5X16    | O   | 6   |         |        |        |      |
| 118   | 424201-0  | CHECK VALVE                    |     | 2   |         |        |        |      |
| 119   | 345916-5  | MUFFLER GASKET                 |     | 1   | *       |        |        |      |
| 119-1 | 346331-6  | MUFFLER GASKET                 | <   | 1   |         |        |        |      |
| 120   | 168554-4  | EXHAUST MUFFLER                |     | 1   |         |        |        |      |
| 121   | 266440-4  | HEX SOCKET HEAD BOLT M5X40     |     | 2   |         |        |        |      |
| 122   | 168471-8  | PULLEY                         |     | 1   |         |        |        |      |
| 123   | 451731-8  | MUFFLER PLATE                  |     | 1   |         |        |        |      |
| 124   | 922218-2  | H.S.H.BOLT M5X14 WITH WR       |     | 1   | *       |        |        |      |
| 124-1 | 922206-9  | HEX. SOCKET HEAD BOLT M5X10    | >   | 1   |         |        |        |      |
| 125   | 638707-4  | LEAD UNIT                      |     | 1   |         |        |        |      |
| 126   | 638708-2  | LEAD UNIT                      |     | 1   |         |        |        |      |
| 127   | 808633-3  | 4STROKE INDICATION LABEL       |     | 1   | *       |        |        |      |

Please order the parts with part number.

Print Date 26/6/2019

## Model No.EM2651LH PETROL BRUSH CUTTER

| Item  | Parts No. | Description                 | I/C | Qty | New/Old | Opt. 1 | Opt. 2 | Note |
|-------|-----------|-----------------------------|-----|-----|---------|--------|--------|------|
| 128   | 922218-2  | H.S.H.BOLT M5X14 WITH WR    |     | 1   | *       |        |        |      |
| 128-1 | 922206-9  | HEX. SOCKET HEAD BOLT M5X10 | >   | 1   |         |        |        |      |
| 129   | 451734-2  | CYLINDER COVER              |     | 1   | *       |        |        |      |
| 129-1 | 453266-5  | CYLINDER COVER              | S   | 1   |         |        |        |      |
| 130   | 922218-2  | H.S.H.BOLT M5X14 WITH WR    |     | 1   | *       |        |        |      |
| 130-1 | 922206-9  | HEX. SOCKET HEAD BOLT M5X10 | >   | 1   |         |        |        |      |
| 131   | 424082-2  | BUFFER RUBBER               |     | 1   |         |        |        |      |
| 132   | 922211-6  | HEX. SOCKET HEAD BOLT M5X12 |     | 1   |         |        |        |      |
| 133   | 922226-3  | HEX. SOCKET HEAD BOLT M5X18 |     | 2   |         |        |        |      |
| 134   | 318249-1  | PIPE HOLDER                 |     | 1   |         |        |        |      |
| 135   | 318250-6  | PIPE HOLDER                 |     | 1   |         |        |        |      |
| 136   | 424083-0  | BUFFER RUBBER               |     | 1   |         |        |        |      |
| 137   | 424200-2  | SPACER                      |     | 2   |         |        |        |      |
| 138   | 234108-0  | COMPRESSION SPRING 9        |     | 2   |         |        |        |      |
| 140   | 325669-2  | EXHAUST VALVE               |     | 1   | *       |        |        |      |
| 140-1 | 326366-3  | EXHAUST VALVE               | O   | 1   |         |        |        |      |
| 143   | 325670-7  | INTAKE VALVE                |     | 1   | *       |        |        |      |
| 143-1 | 326367-1  | INTAKE VALVE                | O   | 1   |         |        |        |      |
| 144   | 257298-2  | PISTON RING (TOP) 34        |     | 1   | *       |        |        |      |
| 144-1 | 195145-8  | PISTON RING SET             | S   | 1   |         |        |        |      |
| 145   | 257299-0  | PISTON RING (SECOND) 34     |     | 1   | *       |        |        |      |
| 146   | 257300-1  | PISTON RING 34              |     | 1   | *       |        |        |      |
| 147   | 318441-9  | PISTON                      |     | 1   |         |        |        |      |
| 148   | 254040-2  | WOODRUFF KEY 3              |     | 1   |         |        |        |      |
| 149   | 135406-4  | CRANK SHAFT ASSEMBLY        |     | 1   | *       |        |        |      |
| 149-1 | 135481-0  | CRANK SHAFT ASS'Y           | <   | 1   | *       |        |        |      |
| 149-2 | 126204-7  | CRANK SHAFT ASS'Y           | S   | 1   | *       |        |        |      |
| D10   |           | INC. 150-152                |     |     | *       |        |        |      |
| 149-3 | 126359-8  | CRANK SHAFT ASSEMBLY        | O   | 1   | *       |        |        |      |
| D10   |           | INC. 150-152                |     |     | *       |        |        |      |
| 149-4 | 123774-7  | CRANK SHAFT ASSEMBLY        | <   | 1   |         |        |        |      |
| D10   |           | INC. 150-152                |     |     |         |        |        |      |
| 150   | 213148-1  | OIL SEAL 10                 |     | 1   | *       |        |        |      |
| 150-1 | 213148-1  | OIL SEAL 10                 | S   | 1   | *       |        |        |      |
| 150-2 | 213769-9  | OIL SEAL 10                 | <   | 1   |         |        |        |      |
| 151   | 267400-9  | FLAT WASHER 23              |     | 1   | *       |        |        |      |
| 151-1 | 267400-9  | FLAT WASHER 23              | S   | 1   |         |        |        |      |
| 152   | 213147-3  | OIL SEAL 12                 |     | 1   | *       |        |        |      |
| 152-1 | 213147-3  | OIL SEAL 12                 | S   | 1   | *       |        |        |      |
| 152-2 | 213089-1  | OIL SEAL 12                 | <   | 1   |         |        |        |      |

Please order the parts with part number.

Print Date 26/6/2019

## Model No.EM2651LH PETROL BRUSH CUTTER

| Item  | Parts No. | Description                    | I/C | Qty | New/Old | Opt. 1 | Opt. 2 | Note |
|-------|-----------|--------------------------------|-----|-----|---------|--------|--------|------|
| 153   | 257781-9  | PISTON PIN                     |     | 1   |         |        |        |      |
| 154   | 233976-8  | CLIP                           |     | 2   |         |        |        |      |
| 155   | 162303-1  | OIL CASE GASKET                |     | 1   | *       |        |        |      |
| 155-1 | 162323-5  | OIL CASE GASKET                | S   | 1   | *       |        |        |      |
| 155-2 | 162345-5  | OIL CASE GASKET                | S   | 1   |         |        |        |      |
| 156   | 346083-9  | LEAD VALVE                     |     | 1   |         |        |        |      |
| 157   | 318590-2  | RETAINER PLATE                 |     | 1   | *       |        |        |      |
| 157-1 | 318910-0  | RETAINER PLATE                 | S   | 1   |         |        |        |      |
| 158   | 266569-6  | HEX. SOCKET HEAD BOLT<br>M4X10 |     | 1   | *       |        |        |      |
| 158-1 | 922112-8  | HEX. SOCKET HEAD BOLT<br>M4X10 | O   | 1   |         |        |        |      |
| 159   | 318588-9  | OIL CASE                       |     | 1   |         |        |        |      |
| 160   | 266570-1  | HEX. SOCKET HEAD BOLT<br>M5X16 |     | 4   | *       |        |        |      |
| 160-1 | 922222-1  | HEX. SOCKET HEAD BOLT<br>M5X16 | O   | 4   |         |        |        |      |
| 161   | 424344-8  | DAMPER                         |     | 1   |         |        |        |      |
| 162   | 346305-7  | GASKET                         |     | 1   |         |        |        |      |
| 163   | 266611-3  | HEX BOLT M6X8                  |     | 1   |         |        |        |      |
| 164   | 213548-5  | O-RING 20                      |     | 1   |         |        |        |      |
| 165   | 325898-7  | JOINT PIPE                     |     | 1   | *       |        |        |      |
| 165-1 | 325665-0  | JOINT PIPE                     | S   | 1   |         |        |        |      |
| 166   | 282020-8  | HOSE CLAMP                     |     | 1   | *       |        |        |      |
| 166-1 | 282020-8  | HOSE CLAMP                     | O   | 1   |         |        |        |      |
| 167   | 325666-8  | OIL WEIGHT                     |     | 1   | *       |        |        |      |
| 167-1 | 325666-8  | OIL WEIGHT                     | O   | 1   |         |        |        |      |
| 168   | 424301-6  | OIL TUBE                       |     | 1   | *       |        |        |      |
| 168-1 | 125805-8  | OIL TUBE ASSEMBLY              | S   | 1   |         |        |        |      |
| C10   | 424301-6  | OIL TUBE                       |     | 1   |         |        |        |      |
| D10   |           | INC. 166,167                   |     |     |         |        |        |      |
| 169   | 452047-4  | OIL CAP                        |     | 1   |         |        |        |      |
| 170   | 424343-0  | GASKET                         |     | 1   |         |        |        |      |
| 171   | 452048-2  | OIL PIPE                       |     | 1   |         |        |        |      |
| 172   | 922218-2  | H.S.H.BOLT M5X14 WITH WR       |     | 2   | *       |        |        |      |
| 172-1 | 922206-9  | HEX. SOCKET HEAD BOLT<br>M5X10 | >   | 2   |         |        |        |      |
| 173   | 125728-0  | FUEL TANK CAP ASSEMBLY         |     | 1   | *       |        |        |      |
| D10   |           | INC. 174                       |     |     | *       |        |        |      |
| 173-1 | 127112-5  | FUEL TANK CAP ASSEMBLY         | O   | 1   |         |        |        |      |
| D10   |           | INC. 174                       |     |     |         |        |        |      |
| 174   | 451739-2  | FUEL TANK CAP                  |     | 1   |         |        |        |      |
| 175   | 168555-2  | TUBE COMPLETE                  |     | 1   | *       |        |        |      |
| 175-1 | 168755-4  | TUBE COMPLETE                  | <   | 1   |         |        |        |      |
| 176   | 282020-8  | HOSE CLAMP                     |     | 1   |         |        |        |      |

Please order the parts with part number.

Print Date 26/6/2019

## Model No.EM2651LH PETROL BRUSH CUTTER

| Item  | Parts No.  | Description                    | I/C | Qty | New/Old | Opt. 1 | Opt. 2 | Note |
|-------|------------|--------------------------------|-----|-----|---------|--------|--------|------|
| 177   | 163518-3   | GASOLINE FILTER                |     | 1   |         |        |        |      |
| 178   | 451736-8   | FUEL TANK                      |     | 1   |         |        |        |      |
| 179   | 424080-6   | BUFFER RUBBER                  |     | 2   |         |        |        |      |
| 180   | 424081-4   | BUFFER RUBBER                  |     | 1   |         |        |        |      |
| 181   | 451737-6   | TANK GUARD                     |     | 1   |         |        |        |      |
| 182   | 922218-2   | H.S.H.BOLT M5X14 WITH WR       |     | 4   | *       |        |        |      |
| 182-1 | 922206-9   | HEX. SOCKET HEAD BOLT M5X10    | >   | 4   |         |        |        |      |
| 183   | 195309-4   | RECOIL STARTER SET             |     | 1   |         |        |        |      |
| D10   |            | INC. 122,184,185,187-193       |     |     |         |        |        |      |
| 184   | 424319-7   | STARTER KNOB                   |     | 1   |         |        |        |      |
| 185   | 424359-5   | DAMPER                         |     | 1   |         |        |        |      |
| 187   | 266585-8   | TAPPING SCREW 5X12             |     | 1   |         |        |        |      |
| 188   | 233578-0   | DAMPER SPRING                  |     | 1   |         |        |        |      |
| 189   | 452275-1   | CAM PLATE                      |     | 1   |         |        |        |      |
| 190   | 452274-3   | REEL                           |     | 1   |         |        |        |      |
| 191   | 232258-5   | SPIRAL SPRING                  |     | 1   |         |        |        |      |
| 192   | 444024-0   | STARTER ROPE                   |     | 1   |         |        |        |      |
| 193   | 451732-6   | STARTER CASE                   |     | 1   |         |        |        |      |
| 194   | 922223-9   | H.S.H.BOLT M5X16 WITH WR       |     | 4   |         |        |        |      |
| 196   | 816565-0   | MAKITA LOGO LABEL              |     | 1   |         |        |        |      |
| 197   | 168591-8   | CARBURETOR                     |     | 1   | *       |        |        |      |
| D10   |            | INC. 198-207,209-214           |     |     | *       |        |        |      |
| 197-1 | 168762-7   | CARBURETOR                     | <   | 1   |         |        |        |      |
| D10   |            | INC. 198-207,209-214           |     |     |         |        |        |      |
| 198   | 325922-6   | SWIVEL                         |     | 1   |         |        |        |      |
| 199   | 413140-9   | WASHER                         |     | 1   |         |        |        |      |
| 200   | 266581-6   | PAN HEAD SCREW M3X8 WITH W     |     | 2   | *       |        |        |      |
| 200-1 | WJ00096364 | SCREW M3X8 WITH WASHER         | O   | 2   |         |        |        |      |
| 201   | 257964-1   | STOP RING E-3                  |     | 1   |         |        |        |      |
| 202   | 213538-8   | O RING 2                       |     | 1   |         |        |        |      |
| 203   | 325985-2   | JET                            |     | 1   |         |        |        |      |
| 204   | 234183-6   | CONICAL COMPRESSION SPRING 5-9 |     | 1   |         |        |        |      |
| 205   | 442155-9   | PUMP GASKET                    |     | 1   |         |        |        |      |
| 206   | 168575-6   | PUMP DIAPHRAGM                 |     | 1   | *       |        |        |      |
| 206-1 | WJ00009599 | PUMP DIAPHRAGM                 | O   | 1   |         |        |        |      |
| 207   | 140437-0   | PUMP BODY                      |     | 1   | *       |        |        |      |
| D10   |            | INC. 208                       |     |     | *       |        |        |      |
| 207-1 | 141737-1   | PUMP BODY                      | X   | 1   |         |        |        |      |
| D10   |            | INC. 208                       |     |     |         |        |        |      |
| 208   | 352010-6   | INLET SCREEN                   |     | 1   | *       |        |        |      |
| 208-1 | 352021-1   | INLET SCREEN                   | X   | 1   |         |        |        |      |

Please order the parts with part number.

Print Date 26/6/2019



## Model No.EM2651LH PETROL BRUSH CUTTER

| Item  | Parts No. | Description                    | I/C | Qty | New/Old | Opt. 1 | Opt. 2 | Note |
|-------|-----------|--------------------------------|-----|-----|---------|--------|--------|------|
| 209   | 442154-1  | METERING DIAPHRAGM GASKET      |     | 1   |         |        |        |      |
| 210   | 168620-7  | METERING DIAPHRAGM             |     | 1   |         |        |        |      |
| 211   | 140438-8  | AIR PURGE BODY                 |     | 1   |         |        |        |      |
| 212   | 424314-7  | PRIMER PUMP                    |     | 1   |         |        |        |      |
| 213   | 346270-0  | PRIMER PUMP COVER              |     | 1   |         |        |        |      |
| 214   | 266582-4  | TAPPING SCREW 3X24             |     | 4   |         |        |        |      |
| 215   | 810455-9  | CAUTION PLATE                  |     | 1   |         |        |        |      |
| 216   | 891985-9  | INDICATION LABEL               |     | 1   | *       |        |        |      |
| 216-1 | 800F73-7  | INDICATION LABEL               | O   | 1   |         |        |        |      |
| 217   | 941152-7  | FLAT WASHER 6                  |     | 1   |         |        |        |      |
| 225   | 891168-1  | EM2651LH MODEL NO. LABEL       |     | 1   |         |        |        |      |
| 226   | 443170-6  | FELT                           |     | 1   |         |        |        |      |
| 227   | 352020-3  | SEPARATOR MESH                 | S   | 1   |         |        |        |      |
| 228   | 453865-3  | SEPARATOR CASE                 | S   | 1   |         |        |        |      |
| 229   | 453862-9  | OIL CASE PLATE                 | S   | 1   |         |        |        |      |
| 230   | 808723-2  | CAUTION LABEL                  |     | 1   |         |        |        |      |
| 231   | 801D19-4  | SERIAL NO. LABEL               | <   | 1   |         |        |        |      |
| 232   | 135599-7  | SHORT BLOCK ASS'Y 25.4CC       |     | 1   | *       |        |        |      |
| D10   |           | INC. 85-88,108-110,112-118,137 |     |     | *       |        |        |      |
| D20   |           | INC. 138,140,143-147,149-154   |     |     | *       |        |        |      |
| 232-1 | 135668-4  | SHORT BLOCK ASS'Y 25.4CC       | O   | 1   |         |        |        |      |
| D10   |           | INC. 85-88,108-110,112-118,137 |     |     |         |        |        |      |
| D20   |           | INC. 138,140,143-147,149-154   |     |     |         |        |        |      |
| A01   | 125516-5  | BAND ASSEMBLY                  |     | 1   |         |        |        |      |
| A02   | 242072-1  | OIL BOTTLE                     |     | 1   | *       |        |        |      |
| A03   | 783013-3  | BOX DRIVER 16-17               |     | 1   |         |        |        |      |
| A04   | 783217-7  | HEX. WRENCH 5                  |     | 1   | *       |        |        |      |
| A04-1 | 783232-1  | HEX. WRENCH 5                  | O   | 1   | *       |        |        |      |
| A04-2 | 783217-7  | HEX. WRENCH 5                  | O   | 1   |         |        |        |      |
| A05   | 783223-2  | HEX. WRENCH 4                  |     | 1   | *       |        |        |      |
| A05-1 | 783202-0  | HEX. WRENCH 4                  | O   | 1   |         |        |        |      |
| A06   | 831304-7  | ACCESSORY BAG                  |     | 1   |         |        |        |      |
| A07   | B-05125   | ULTRA AUTO 4 M BRAND MHI       |     | 1   |         |        |        |      |
| A08   | 195500-4  | OIL SET                        |     | 1   | *       |        |        |      |
| A08-1 | 197007-6  | OIL SET                        | O   | 1   | *       |        |        |      |
| A08-2 | 191A18-9  | OIL SET                        | O   | 1   |         |        |        |      |
| E01   | 266427-6  | TAPPING SCREW 4X12             |     | 1   |         |        |        |      |
| E02   | 452219-1  | CHOKE PLATE                    |     | 1   |         |        |        |      |
| E03   | 452220-6  | CHOKE LEVER                    |     | 1   |         |        |        |      |
| E04   | 801P53-6  | GAS EMISSION APPROVAL LABEL    |     | 1   | *       |        |        |      |

Please order the parts with part number.

Print Date 26/6/2019

## Model No.EM2651LH PETROL BRUSH CUTTER

| Item  | Parts No. | Description                 | I/C | Qty | New/Old | Opt. 1 | Opt. 2 | Note |
|-------|-----------|-----------------------------|-----|-----|---------|--------|--------|------|
| E04-1 | 809L93-4  | GAS EMISSION APPROVAL LABEL | <   | 1   | *       |        |        |      |

Please order the parts with part number.

Print Date 26/6/2019