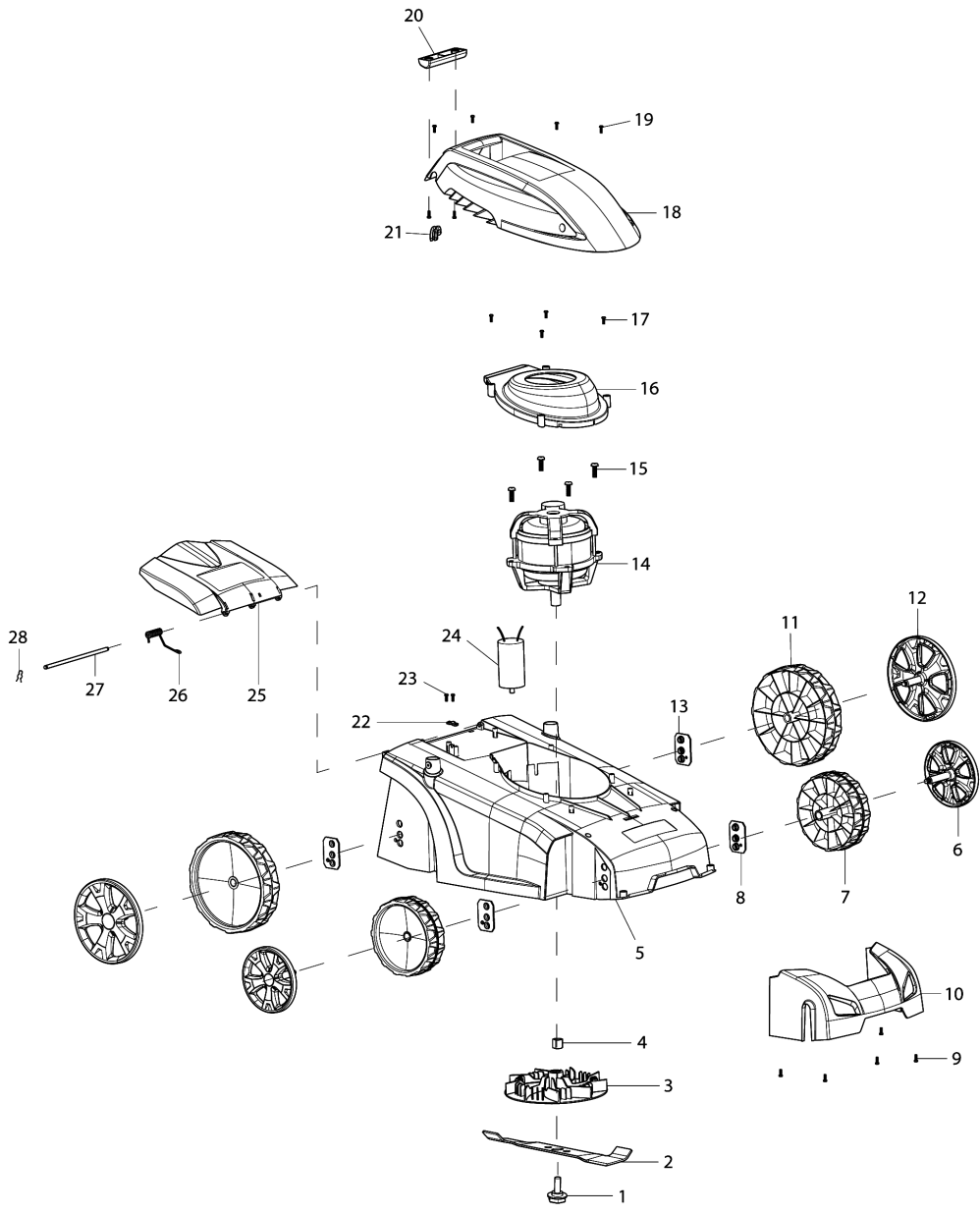
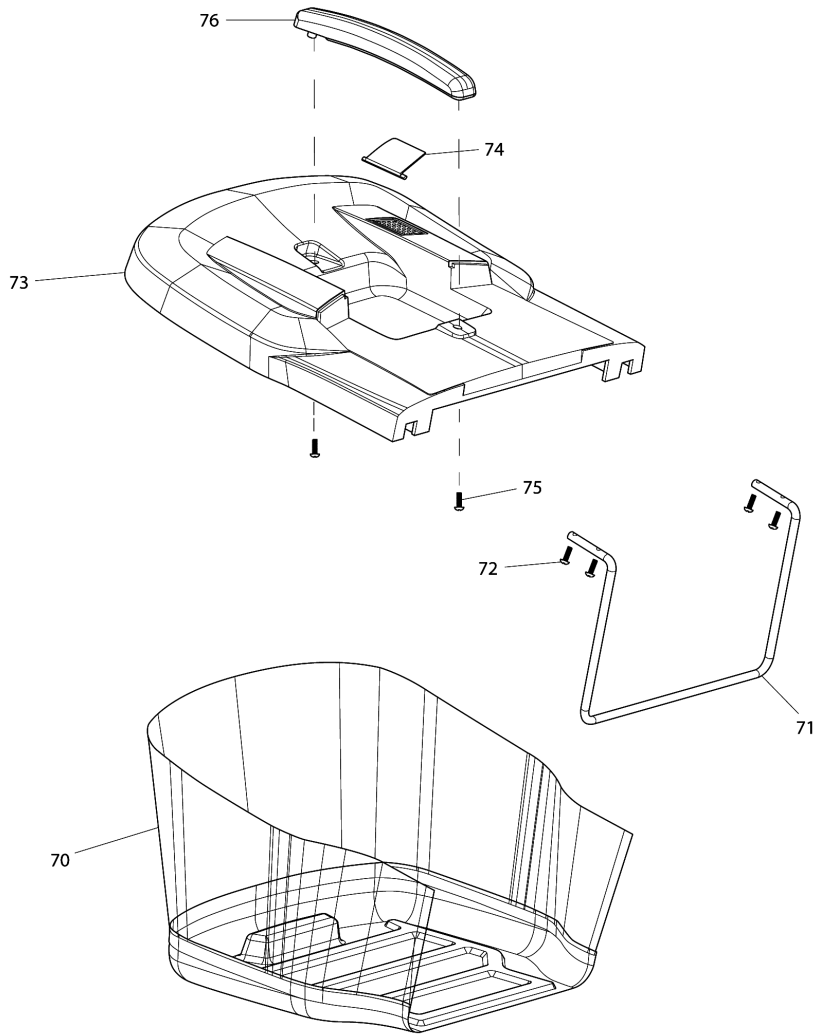


Model No.ELM3711 370MM LAWN MOWER



Model No.ELM3711 370MM LAWN MOWER



Model No.ELM3711 370MM LAWN MOWER

Item	Parts No.	Description	I/C	Qty	New/Old	Opt. 1	Opt. 2	Note
001	671100802	BLADE TIGHTEN BOLT M10*1.35*40		1	*			
001-1	DA00000827	HEX.BOLT FOR BLADE	O	1				
002	671002549	BLADE		1	*			
002-1	DA00001278	BLADE	<	1				
003	DA00000808	MOTOR CENTRIFUGAL CUTTER		1				
004	671002036	CENTRIFUGAL CUTTER BUSHING		1				
005	671981001	DECK		1				
006	671003028	5.5" WHEEL COVER		2				
007	671919001	5.5" WHEEL		2				
008	671002281	THREAD PRESSING PLATE		2				
009	671107301	SELF-TAPPING SCREW ST4*16		5				
010	671980001	HEAD COVER		1				
011	671920001	7" WHEEL		2				
012	671003029	7" WHEEL COVER		2				
013	671002281	THREAD PRESSING PLATE		2				
014	DA00000823	MOTOR ASSY 230V 50HZ		1				
015	671001053	SELF-TAPPING SCREW ST6X30		4				
016	671983001	MOTOR WIND GUIDE COVER		1				
017	671107301	SELF-TAPPING SCREW ST4*16		4				
018	671982001	MOTOR COVER		1				
019	671107301	SELF-TAPPING SCREW ST4*16		6				
020	671984001	MOTOR COVER HANDLE		1				
021	DA00000810	GROMMET		1				
022	671010230	CORD CLAMP		1				
023	671107301	SELF-TAPPING SCREW ST4*16		2				
024	671003060	CAPACITOR		1	*			
024-1	DA00001196	CAPACITOR	<	1				
025	671987001	REAR FLAP		1				
026	671011214	SPRING OF REAR FLAP		1				
027	671010790	FIXED SHAFT OF REAR FLAP		1				
028	671090005	CLAMP PIN		1				
029	671001046	SELF-TAPPING SCREW ST4.8*19		2	*			
029-1	DA00000614	TAPPING SCREW ST4.8X19	O	2				
030	671001712	LOWER HANDLE BAR		2				
031	671277001	CABLE CLIP		1				
032	671050160	LID SHAPE SCREW M6*11		2	*			
032-1	DA00000575	HEX.CAP NUT M6	O	2				
033	671007007	FLAT WASHER 8		2				

Model No.ELM3711 370MM LAWN MOWER

Item	Parts No.	Description	I/C	Qty	New/Old	Opt. 1	Opt. 2	Note
034	DA00000811	PIPE END CAP		2				
035	DA00000812	PRESSER PLATE		2				
036	671002466	TENSION BOLT M6		2				
037	671431001	TENSION LEVER		2				
038	671090040	PIN 5.3X20		2				
039	671108303	CORD HANGER STOPPER RING		1				
040	DA00000826	SELF-TAPPING SCREW ST4X12		1				
041	671001052	POWER SUPPLY CORD HANGER		1				
042	671016150	UPPER HANDLE BAR		1				
043	671073001	HANDLE SUPPORT(LEFT)		1				
044	671107301	SELF-TAPPING SCREW ST4*16		2				
045	671074001	HANDLE SUPPORT(RIGHT)		1				
046	671107301	SELF-TAPPING SCREW ST4*16		2				
047	671428001	PRESSING PLATE OF SWITCH BOX		1				
048	DA00000824	POWER SUPPLY CORD		1				
049	DA00000818	GROMMET		1				
050	671425003	SWITCH LINK BUTTON		1				
051	671011079	COMPRESSION SPRING		1				
052	671070001	WATER-PROOF SWITCH BOX(RIGHT)		1	*			
052-1	DA00000829	SWITCH BOX(RIGHT)	O	1				
053	671001043	LAMPSHADE		1	*			
053-1	DA00000842	INDICATOR LENS	O	1				
054	671010040	SWITCH		1				
055	671107301	SELF-TAPPING SCREW ST4*16		2				
056	DA00000814	CORD CLAMP		1				
057	DA00000813	POWER SUPPLY INDICATOR LED		1				
058	671069001	SWITCH BOX LEFT		1				
059	671107301	SELF-TAPPING SCREW ST4*16		5				
060	DA00000815	POWER SUPPLY PLUG UNIT		1				
061	DA00000816	TAPPING SCREW ST3X10		1				
062	671011124	TENSION SPRING		1				
063	671072001	SWITCH LEVER END CAP RIGHT		1				
064	671001021	SELF-TAPPING SCREW ST4*10		1	*			
064-1	DA00000820	TAPPING SCREW ST4X10	O	1				
065	671001714	START BAR		1				
066	DA00000817	SWITCH LEVER END CAP LEFT SIDE		1				
067	671011124	TENSION SPRING		1				

Model No.ELM3711 370MM LAWN MOWER

Item	Parts No.	Description	I/C	Qty	New/Old	Opt. 1	Opt. 2	Note
068	DA00000816	TAPPING SCREW ST3X10		1				
069	671001021	SELF-TAPPING SCREW ST4*10		1	*			
069-1	DA00000820	TAPPING SCREW ST4X10	O	1				
070	671015940	GRASS CATCHER(MAKITA)		1				
071	671002387	GRASS CATCHER BRACKET		1				
072	671107301	SELF-TAPPING SCREW ST4*16		4				
073	671985001	COVER OF GRASS CATCHER		1				
074	671010720	LEVEL INDICATOR		1				
075	671107301	SELF-TAPPING SCREW ST4*16		2				
076	671988001	HANDLE OF GRASS CATCHER		1				
077	DA00000830	GRASS CATCHER ASS'Y(MAKITA)		1				
D10		INC. 70-76						
A01	671002009	SINGLE END BOX WRENCH 22		1				

Please order the parts with part number.

Print Date 30/3/2020