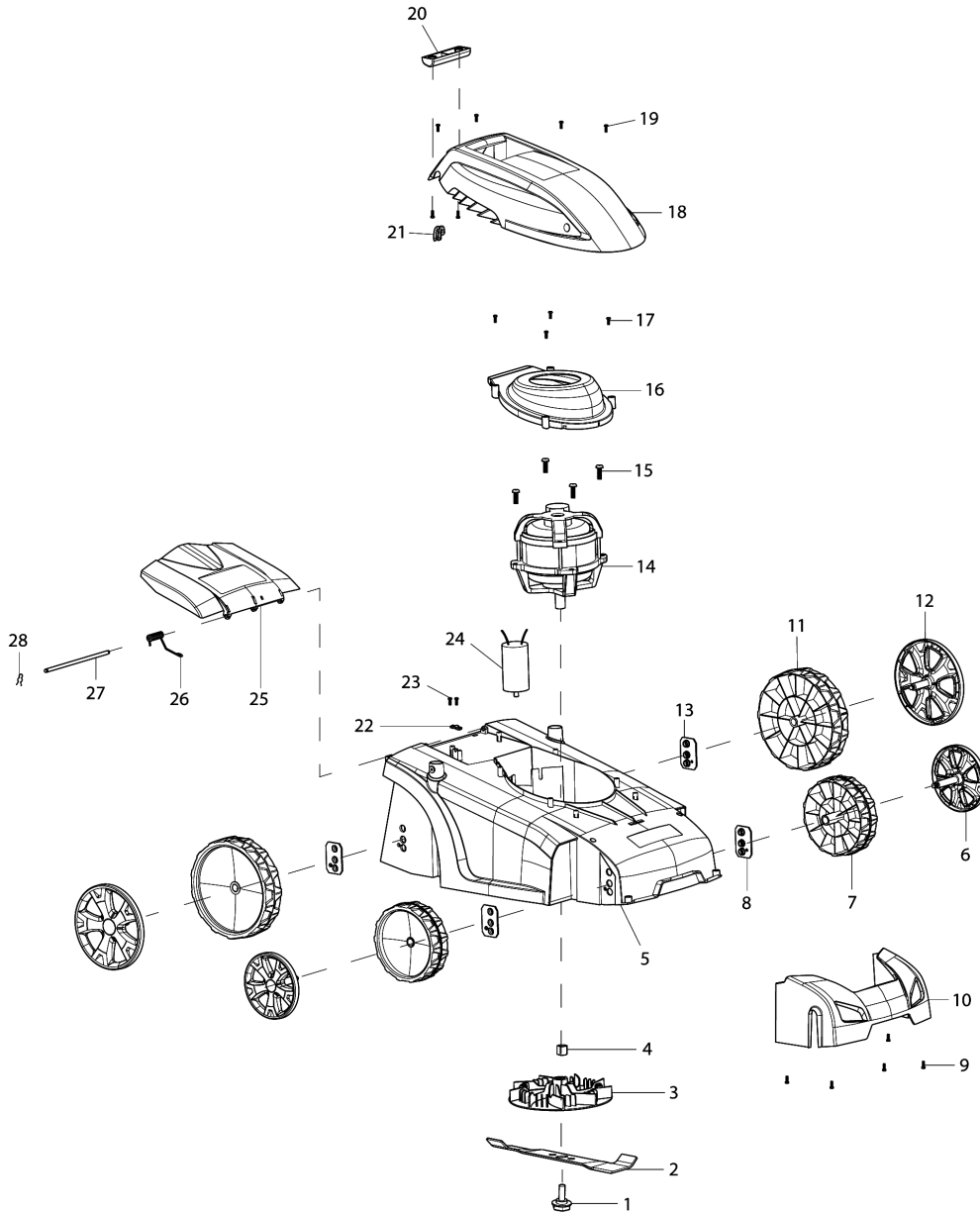
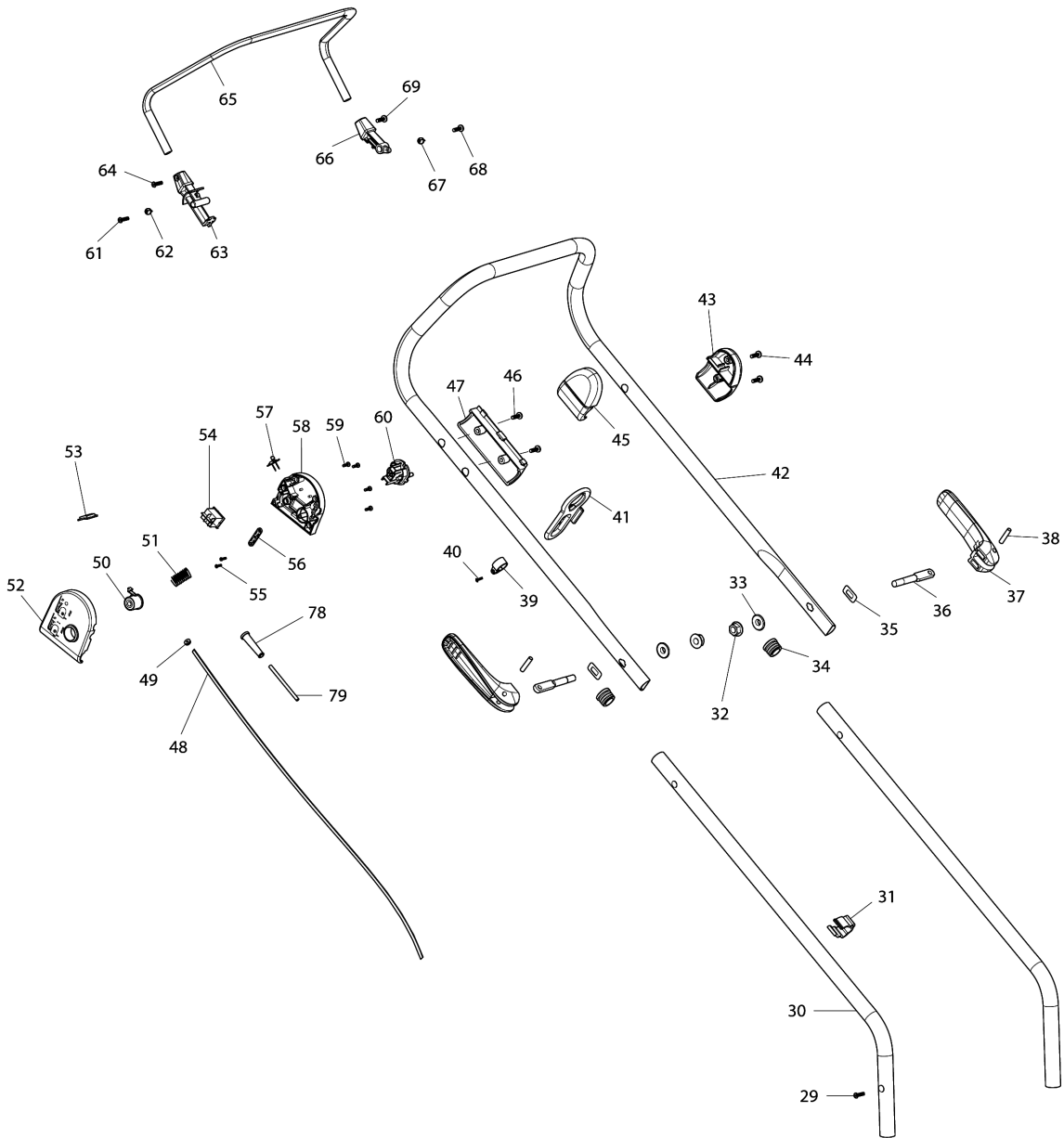


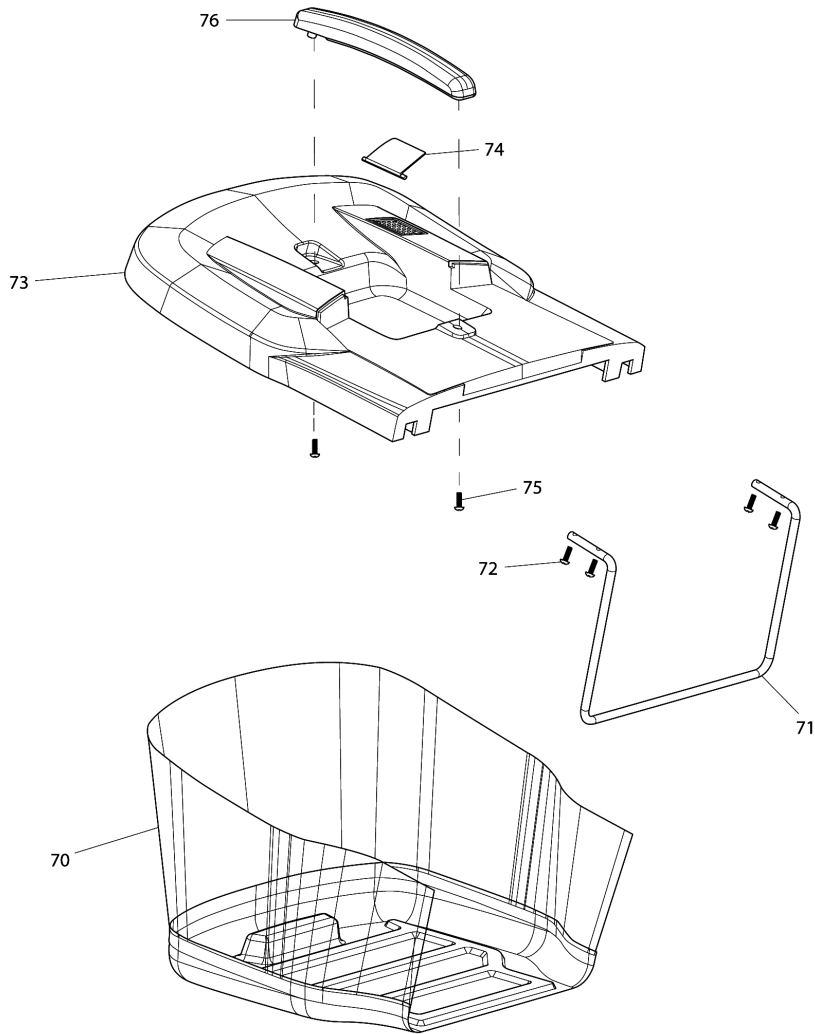
Model No.ELM3311 330MM LAWN MOWER



Model No.ELM3311 330MM LAWN MOWER



Model No.ELM3311 330MM LAWN MOWER



Model No.ELM3311 330MM LAWN MOWER

| Item | Parts No. | Description | I/C | Qty | New/Old | Opt. 1 | Opt. 2 | Note |
|-------|------------|-----------------------------------|-----|-----|---------|--------|--------|------|
| 001 | 671100802 | BLADE TIGHTEN BOLT M10*1.35*40 | | 1 | * | | | |
| 001-1 | DA00000827 | HEX.BOLT FOR BLADE | O | 1 | | | | |
| 002 | 671002550 | BLADE | | 1 | * | | | |
| 002-1 | DA00001277 | BLADE | < | 1 | | | | |
| 003 | DA00000808 | MOTOR CENTRIFUGAL CUTTER | | 1 | | | | |
| 004 | 671002036 | CENTRIFUGAL CUTTER BUSHING | | 1 | | | | |
| 005 | 671910001 | DECK | | 1 | | | | |
| 006 | 671003028 | 5.5" WHEEL COVER | | 2 | | | | |
| 007 | 671919001 | 5.5" WHEEL | | 2 | | | | |
| 008 | 671002281 | THREAD PRESSING PLATE | | 2 | | | | |
| 009 | 671107301 | SELF-TAPPING SCREW ST4*16 | | 5 | | | | |
| 010 | 671909001 | HEAD COVER | | 1 | | | | |
| 011 | 671920001 | 7" WHEEL | | 2 | | | | |
| 012 | 671003029 | 7" WHEEL COVER | | 2 | | | | |
| 013 | 671002281 | THREAD PRESSING PLATE | | 2 | | | | |
| 014 | DA00000809 | MOTOR ASSY 230V 50HZ | | 1 | | | | |
| 015 | 671001053 | SELF-TAPPING SCREW ST6X30 | | 4 | | | | |
| 016 | 671912001 | MOTOR WIND GUIDE COVER | | 1 | | | | |
| 017 | 671107301 | SELF-TAPPING SCREW ST4*16 | | 4 | | | | |
| 018 | 671911001 | MOTOR COVER | | 1 | | | | |
| 019 | 671107301 | SELF-TAPPING SCREW ST4*16 | | 6 | | | | |
| 020 | 671913001 | MOTOR COVER HANDLE | | 1 | | | | |
| 021 | DA00000810 | GROMMET | | 1 | | | | |
| 022 | 671010230 | CORD CLAMP | | 1 | | | | |
| 023 | 671107301 | SELF-TAPPING SCREW ST4*16 | | 2 | | | | |
| 024 | 671003059 | CAPACITOR | | 1 | * | | | |
| 024-1 | DA00001194 | CAPACITOR | < | 1 | | | | |
| 025 | 671918001 | REAR FLAP | | 1 | | | | |
| 026 | 671011214 | SPRING OF REAR FLAP | | 1 | | | | |
| 027 | 671001067 | FIXED SHAFT OF REAR FLAP | | 1 | | | | |
| 028 | 671090005 | CLAMP PIN | | 1 | | | | |
| 029 | 671001046 | SELF-TAPPING SCREW ST4.8*19 | | 2 | * | | | |
| 029-1 | DA00000614 | TAPPING SCREW ST4.8X19 | O | 2 | | | | |
| 030 | 671001712 | LOWER HANDLE BAR | | 2 | | | | |
| 031 | 671277001 | CABLE CLIP | | 1 | * | | | |
| 031-1 | DA00000923 | CABLE CLIP | < | 1 | | | | |
| 032 | 671050160 | LID SHAPE SCREW M6*11 | | 2 | * | | | |
| 032-1 | DA00000575 | HEX.CAP NUT M6 | O | 2 | | | | |

Model No.ELM3311 330MM LAWN MOWER

| Item | Parts No. | Description | I/C | Qty | New/Old | Opt. 1 | Opt. 2 | Note |
|-------|------------|--------------------------------|-----|-----|---------|--------|--------|------|
| 033 | 671007007 | FLAT WASHER 8 | | 2 | | | | |
| 034 | DA00000811 | PIPE END CAP | | 2 | | | | |
| 035 | DA00000812 | PRESSER PLATE | | 2 | | | | |
| 036 | 671002466 | TENSION BOLT M6 | | 2 | | | | |
| 037 | 671431001 | TENSION LEVER | | 2 | | | | |
| 038 | 671090040 | PIN 5.3X20 | | 2 | | | | |
| 039 | 671108303 | CORD HANGER STOPPER RING | | 1 | | | | |
| 040 | DA00000826 | SELF-TAPPING SCREW ST4X12 | | 1 | | | | |
| 041 | 671001052 | POWER SUPPLY CORD HANGER | | 1 | | | | |
| 042 | 671001613 | UPPER HANDLE BAR | | 1 | | | | |
| 043 | 671073001 | HANDLE SUPPORT(LEFT) | | 1 | | | | |
| 044 | 671107301 | SELF-TAPPING SCREW ST4*16 | | 2 | | | | |
| 045 | 671074001 | HANDLE SUPPORT(RIGHT) | | 1 | | | | |
| 046 | 671107301 | SELF-TAPPING SCREW ST4*16 | | 2 | | | | |
| 047 | 671428001 | PRESSING PLATE OF SWITCH BOX | | 1 | | | | |
| 048 | 671010050 | POWER SUPPLY CORD 1.0-2 | | 1 | | | | |
| 049 | DA00000818 | GROMMET | | 1 | | | | |
| 050 | 671425003 | SWITCH LINK BUTTON | | 1 | | | | |
| 051 | 671011079 | COMPRESSION SPRING | | 1 | | | | |
| 052 | 671070001 | WATER-PROOF SWITCH BOX(RIGHT) | | 1 | * | | | |
| 052-1 | DA00000829 | SWITCH BOX(RIGHT) | O | 1 | | | | |
| 053 | 671001043 | LAMPSHADE | | 1 | * | | | |
| 053-1 | DA00000842 | INDICATOR LENS | O | 1 | | | | |
| 054 | 671010040 | SWITCH | | 1 | | | | |
| 055 | 671107301 | SELF-TAPPING SCREW ST4*16 | | 2 | | | | |
| 056 | DA00000814 | CORD CLAMP | | 1 | | | | |
| 057 | DA00000813 | POWER SUPPLY INDICATOR LED | | 1 | | | | |
| 058 | 671069001 | SWITCH BOX LEFT | | 1 | | | | |
| 059 | 671107301 | SELF-TAPPING SCREW ST4*16 | | 5 | | | | |
| 060 | DA00000815 | POWER SUPPLY PLUG UNIT | | 1 | | | | |
| 061 | DA00000816 | TAPPING SCREW ST3X10 | | 1 | | | | |
| 062 | 671011124 | TENSION SPRING | | 1 | | | | |
| 063 | 671072001 | SWITCH LEVER END CAP RIGHT | | 1 | | | | |
| 064 | 671001021 | SELF-TAPPING SCREW ST4*10 | | 1 | * | | | |
| 064-1 | DA00000820 | TAPPING SCREW ST4X10 | O | 1 | | | | |
| 065 | 671001648 | START BAR | | 1 | | | | |
| 066 | DA00000817 | SWITCH LEVER END CAP LEFT SIDE | | 1 | | | | |

Model No.ELM3311 330MM LAWN MOWER

| Item | Parts No. | Description | I/C | Qty | New/Old | Opt. 1 | Opt. 2 | Note |
|-------|------------|---------------------------------|-----|-----|---------|--------|--------|------|
| 067 | 671011124 | TENSION SPRING | | 1 | | | | |
| 068 | DA00000816 | TAPPING SCREW ST3X10 | | 1 | | | | |
| 069 | 671001021 | SELF-TAPPING SCREW ST4*10 | | 1 | * | | | |
| 069-1 | DA00000820 | TAPPING SCREW ST4X10 | O | 1 | | | | |
| 070 | 671015620 | GRASS CATCHER(MAKITA) | | 1 | | | | |
| 071 | 671002302 | GRASS CATCHER BRACKET | | 1 | | | | |
| 072 | 671107301 | SELF-TAPPING SCREW ST4*16 | | 4 | | | | |
| 073 | 671914001 | COVER OF GRASS CATCHER | | 1 | | | | |
| 074 | 671107101 | LEVEL INDICATOR | | 1 | | | | |
| 075 | 671107301 | SELF-TAPPING SCREW ST4*16 | | 2 | | | | |
| 076 | 671921001 | HANDLE OF GRASS CATCHER | | 1 | | | | |
| 077 | DA00000821 | GRASS CATCHER ASS'Y (MAKITA) | | 1 | | | | |
| D10 | | INC. 70-76 | | | | | | |
| A01 | 671002009 | SINGLE END BOX WRENCH 22 | | 1 | | | | |

Please order the parts with part number.

Print Date 30/3/2020