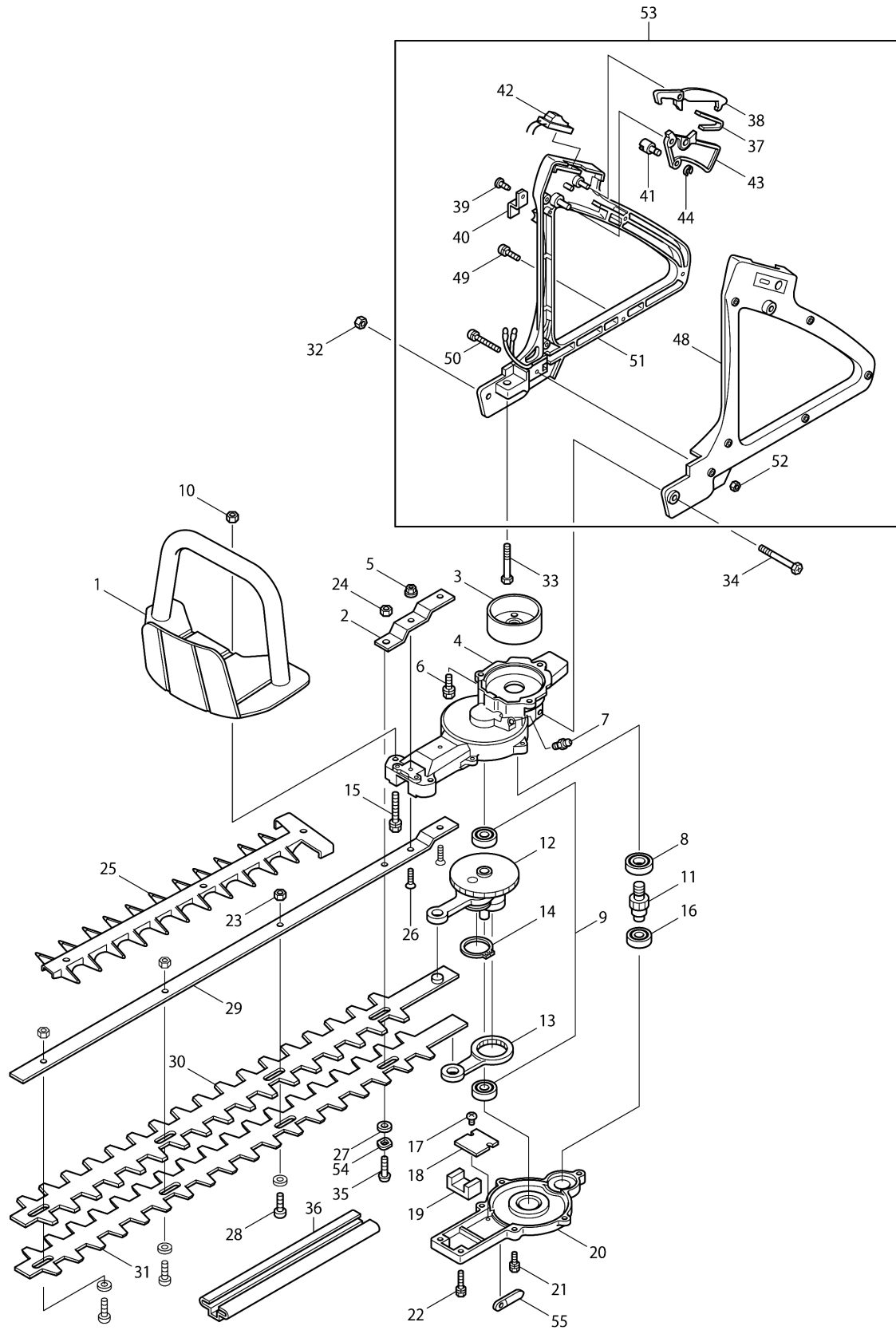
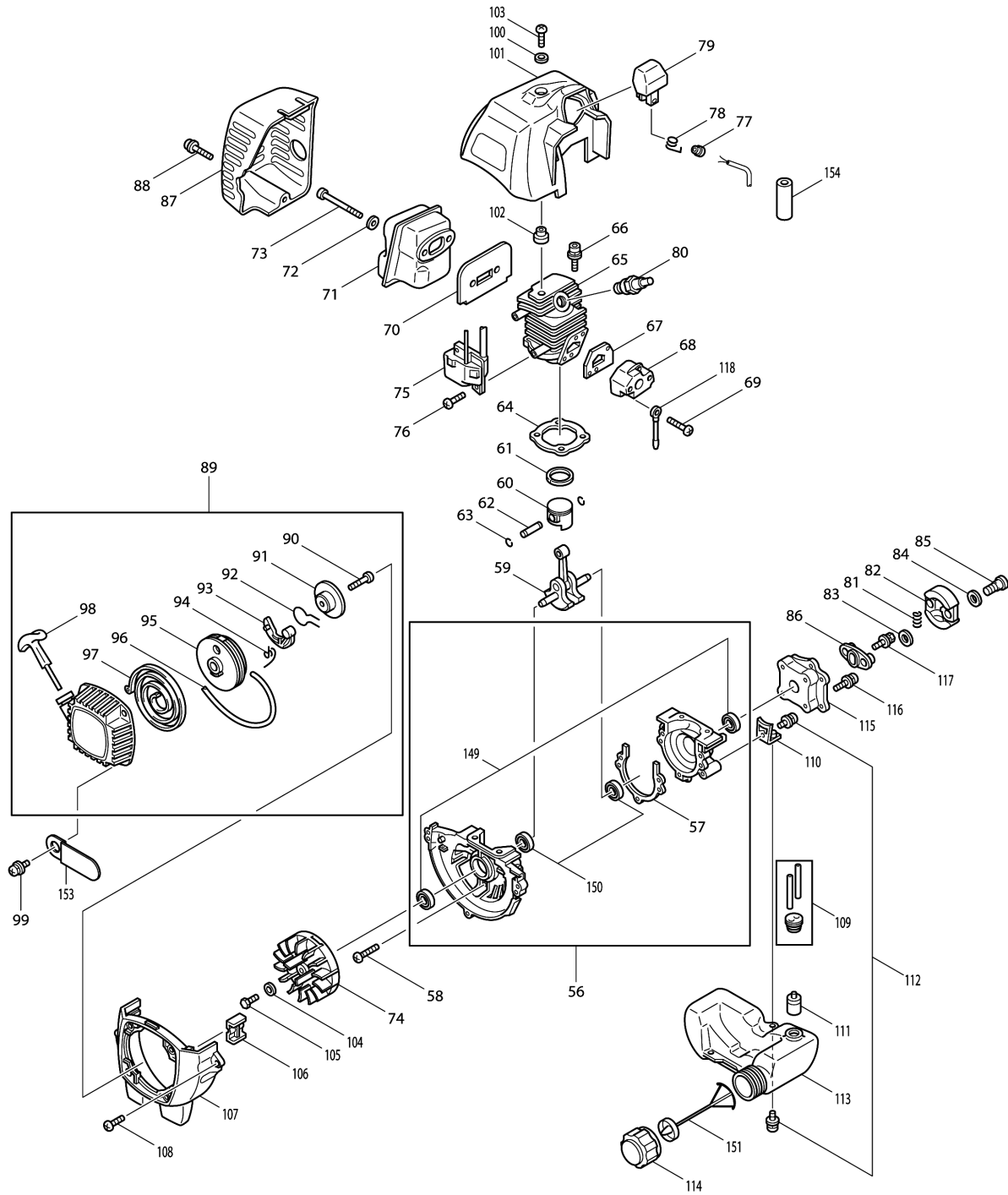


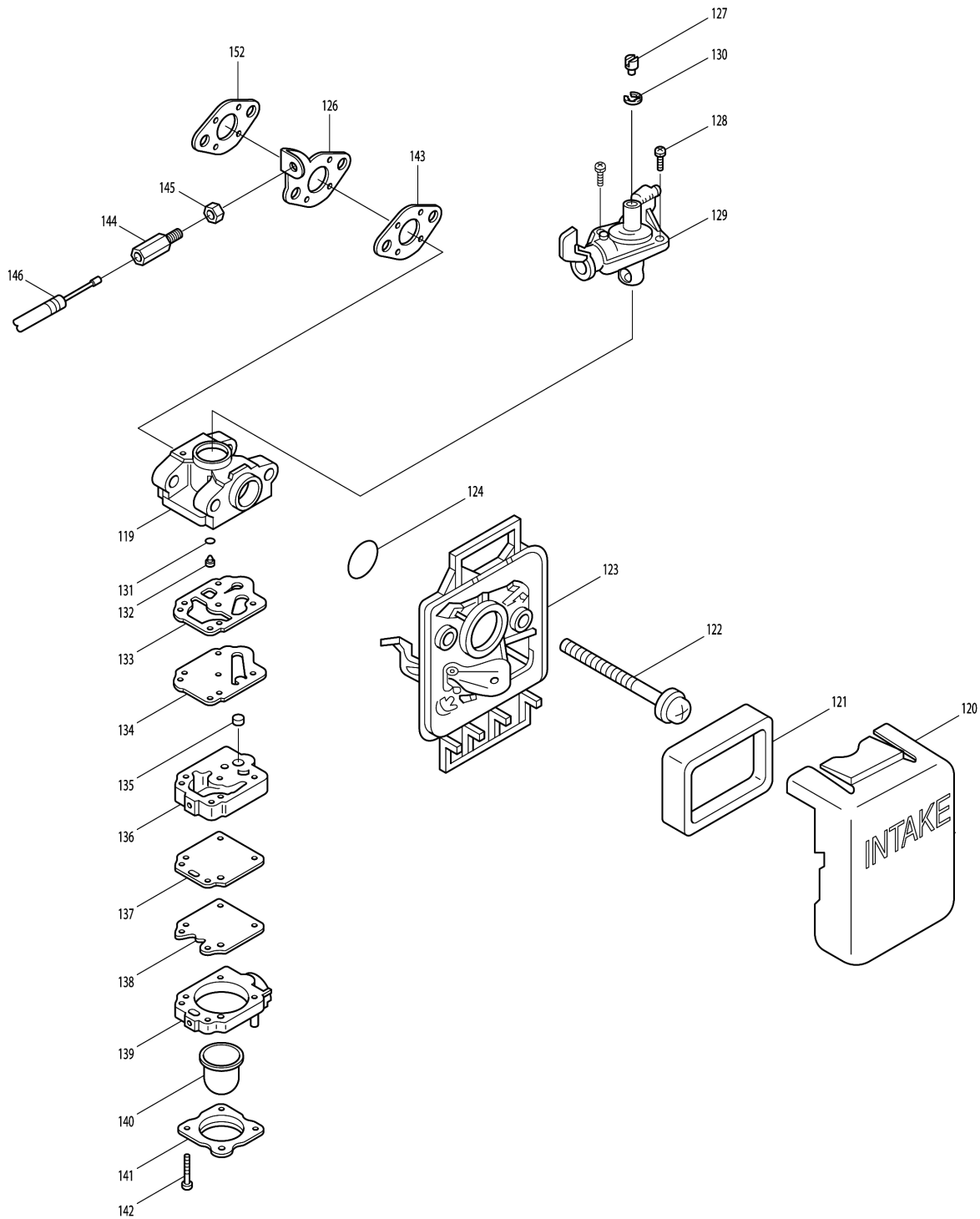
Model No.EH561 ENGINE HEDGE TRIMMER



Model No.EH561 ENGINE HEDGE TRIMMER



Model No.EH561 ENGINE HEDGE TRIMMER



Model No.EH561 ENGINE HEDGE TRIMMER

Item	Parts No.	Description	I/C	Qty	New/Old	Opt. 1	Opt. 2	Note
001	1181550000	FRONT HANDLE		1	*			
001-1	118155B000	FRONT HANDLE		1	*			
001-2	118155E000	FRONT HANDLE	<	1	*			
001-3	1181550000	FRONT HANDLE	O	1				
002	0301080000	REINFORCING PLATE		1	*			
002-1	3251020040	REINFORCING PLATE	S	1				
003	1361410000	DRUM COMPLETE		1				
004	1181410000	CASE (UPPER)		1	*			
004-1	0325100002	UPPER CASE	S	1				
005	162050000K	FLANGE NUT M5		2				
006	054060150K	(+)HEX. BOLT M6X15		2				
007	055001000R	GREASING NIPPLE M6		1				
008	354060010K	BALL BEARING 6001 2RS		1				
009	351006080K	BALL BEARING 608Z		2				
010	150060000K	HEX. NUT M6		2				
011	1361420000	PINION GEAR		1				
012	1360030000	GEAR CRANK ASS'Y		1				
013	1181000000	ROD		2	*			
013-1	TE1A044000	ROD	O	2	*			
013-2	1A044000TE	ROD	O	2	*			
013-3	XOC0000018	ROD	O	2				
014	283026000K	RETAINING RING STW-26		1				
015	055060350K	(+)HEX. BOLT M6X35		2				
016	351006080K	BALL BEARING 608Z		1				
017	010030050K	(+)PAN HEAD SCREW M3X5		2				
018	0301100000	ROD SLIDING PLATE		1				
019	1181010000	FELT		1	*			
019-1	3251040040	FELT	S	1				
020	1181040000	CASE (LOWER)		1	*			
020-1	3251010020	CASE (LOWER)	S	1				
021	054050160K	(+)HEX. BOLT M5X16		5				
022	054050200K	(+)HEX. BOLT M5X20		2				
023	164060000K	HEX. U-NUT M6		3				
024	164060000K	HEX. U-NUT M6		1				
025	1181520000	BLADE GUARD (W)		1				
026	031050200K	+ COUNTERSUNK HEAD SCREW M5X20		2				
027	0082500000	BLADE SLIDING WASHER		4				
028	0082470000	BLADE SLIDING SCREW (L=19)		3				
029	1181260000	BLADE SUPPORT BAR		1				
030	0771060000	UPPER BLADE		1	*			
030-1	6018505400	UPPER BLADE	O	1				
031	0771070000	LOWER BLADE		1	*			

Please order the parts with part number.

Print Date 26/6/2019

Model No.EH561 ENGINE HEDGE TRIMMER

Item	Parts No.	Description	I/C	Qty	New/Old	Opt. 1	Opt. 2	Note
031-1	6018505500	LOWER BLADE	O	1				
032	150060000K	HEX. NUT M6		1				
033	055060400K	(+)HEX. BOLT M6X40		1				
034	055060500K	(+)HEX. BOLT M6X50		1				
035	0082480000	BLADE SLIDING SCREW (L=22)		1				
036	028002039A	BLADE COVER		1				
037	1181540000	LEAF SPRING		1	*			
037-1	1181620000	LEAF SPRING		1				
038	1181510000	STOPPER		1				
039	112040100K	TAPPING SCREW M4X10		1				
040	1181210000	CABLE HOLDER		1				
041	1181110000	WIRE END		1				
042	005044004A	SLIDE SWITCH		1				
043	1181150000	LEVER		1				
044	280002500K	RETAINING RING ETW 2.5		1				
048	1181500000	REAR HANDLE (L)		1				
049	017040160K	PAN HEAD SCREW M4X16		5				
050	017040300K	PAN HEAD SCREW M4X30		1				
051	1181490000	REAR HANDLE (R)		1				
052	150040000K	HEX. NUT M4		6				
053A_	1180110000	REAR HANDLE ASS'Y		1	*			
D10		INC. 37-44,48-52			*			
053A1	126493-4	CONTROL LEVER ASSY	O	1				
D10		INC. 37-44,48-52						
054	229060000K	WAVE WASHER		1				
055	0566079970	CLAMP		1				
056	5251003000	CRANKCASE COMPLETE		1				
D10		INC. 57			*			
D11		INC. 57,149,150						
057	5231502202	CRANKCASE GASKET		1	*			
057-1	424447-8	CRANK CASE GASKET	O	1				
058	0140059520	SCREW M5X25		3	*			
058-1	266701-2	PAN HEAD SCREW M5X25	O	3	*			
058-2	922241-7	HEX. SOCKET HEAD BOLT M5X25	O	3				
059	5252002001	CRANKSHAFT COMPLETE		1	*			
059-1	5252002002	CRANKSHAFT COMPLETE	O	1				
060	5212500700	PISTON		1				
061	5982500000	PISTON RING		1				
062	5212500801	PISTON PIN		1				
063	0565089970	CLIP		2	*			
063-1	233976-8	CLIP	O	2				
064	5231502304	CYLINDER GASKET		1	*			

Please order the parts with part number.

Print Date 26/6/2019

Model No.EH561 ENGINE HEDGE TRIMMER

Item	Parts No.	Description	I/C	Qty	New/Old	Opt. 1	Opt. 2	Note
064-1	442171-1	CYLINDER GASKET	O	1				
065	5251500300	CYLINDER		1				
066	0119059730	SOCKET HEAD BOLT M5X20		2	*			
066-1	266814-9	HEX SOCKET HEAD BOLT M5X20	O	2				
067	5253500200	INSULATOR GASKET		1				
068	5233014000	INSULATOR COMPL.		1	*			
068-1	141056-5	INSULATOR COMPLETE	O	1				
069	0140059500	SCREW M5X25		2	*			
069-1	266700-4	PAN HEAD SCREW M5X25	O	2				
070	5253500101	MUFFLER GASKET		1	*			
070-1	5253500102	MUFFLER GASKET		1				
071	5253010000	EXHAUST MUFFLER		1	*			
071-1	5253010001	EXHAUST MUFFLER		1	*			
071-2	5253071000	EXHAUST MUFFLER	O	1				
072	0031005000	WASHER M5		2	*			
072-1	267446-5	WASHER 5	O	2				
073	0119059660	SOCKET HEAD BOLT M5X50		2	*			
073-1	266592-1	HEX. SOCKET HEAD BOLT M5X50	O	2				
074	5257001010	MAGNETO FLYWHEEL		1				
075	5257001020	IGNITION COIL		1	*			
075-1	5257001021	COIL		1				
076	0140049920	SCREW ASS'Y M4X20		2				
077	5257500300	GROMMET		1	*			
077-1	424313-9	GROMMET	O	1				
078	0654009931	PLUG CAP SPRING		1	*			
078-1	324891-8	PLUG CAP SPRING	O	1				
079	5237503301	PLUG CAP		1				
080A_	0650149721	SPARK PLUG		1	*			
080A1	168662-1	SPARK PLUG(BMR7A)	O	1				
081	5238500500	CLUTCH SPRING		1				
082	6252500800	CLUTCH SHOE		2	*			
082-1	6252500801	CLUTCH SHOE		2				
083	6202500600	WASHER		2	*			
083-1	267429-5	FLAT WASHER 6	O	2				
084	0200089910	WASHER M8		2	*			
084-1	0200089911	WASHER M8		2	*			
084-2	267817-6	WASHER 8	O	2				
085	6252500400	CLUTCH BOLT		2	*			
085-1	266457-7	SHOULDER HEX. BOLT M6X25	O	2				
086	6202500000	HOLDER		1				
087	5253500500	MUFFLER COVER		1				

Please order the parts with part number.

Print Date 26/6/2019

Model No.EH561 ENGINE HEDGE TRIMMER

Item	Parts No.	Description	I/C	Qty	New/Old	Opt. 1	Opt. 2	Note
088	0043705160	SCREW ASS'Y		1				
089	5255001000	REWIND STARTER ASS'Y		1				
D10		INC. 90-98						
090	5255001020	SET SCREW		1				
091	5505001030	FRICITION PLATE		1				
092	5105015050	FRICITION SPRING		1				
093	5105015020	RATCHET		1				
094	5105015060	RETURN SPRING		1				
095	5025001010	REEL		1				
096	5235024022	STARTER ROPE		1				
097	5025001020	SPIRAL SPRING		1	*			
097-1	232257-7	SPIRAL SPRING	O	1				
098	5225004020	HANDLE		1	*			
098-1	424319-7	STARTER KNOB	O	1				
099	0140059480	SCREW ASS'Y M5X14		4	*			
099-1	266809-2	P.H.SCREW M5X14 WITH WR	O	4				
100	0200070010	WASHER		1				
101	5255500301	CYLINDER COVER (MAKITA COLOR)		1				
102	5503503001	SPACER		1				
103	0140059490	SCREW		1				
104	0031206000	WASHER		1				
105	0011306160	BOLT ASS'Y		1				
106	5215500300	BAFFLE PLATE		1				
107	5255500001	BLOWER HOUSING		1				
108	0043505160	SCREW ASS'Y		3				
109	5256012001	TUBE ASS'Y		1				
110	5256002000	TANK PLATE COMPLETE		1				
111	5236503900	FILTER		1	*			
111-1	163447-0	FUEL FILTER	O	1	*			
111-2	163447-0	FUEL FILTER	O	1				
112	0043705160	SCREW ASS'Y		4				
113	5256025000	FUEL TANK COMPLETE		1				
114A_	5316014000	FUEL TANK CAP COMPLETE		1	*			
114A1	5256058000	FUEL TANK CAP	S	1	*			
114A2	452920-8	FUEL TANK CAP	O	1				
115	1181240000	SPACER		1	*			
115-1	318892-6	SPACER	O	1				
116	0140059450	SCREW M5X18		4				
117	6202006000	BOLT ASS'Y		1	*			
117-1	5235504700	BOLT ASS'Y	O	1	*			
117-2	266703-8	HEX. HEAD BOLT M6X14	O	1				
118	5607005000	WIRE COMPLETE (2)		1				

Please order the parts with part number.

Print Date 26/6/2019

Model No.EH561 ENGINE HEDGE TRIMMER

Item	Parts No.	Description	I/C	Qty	New/Old	Opt. 1	Opt. 2	Note
119B_	5256032000	CARBURETOR		1				
D10		INC. 127,128,129A,130-142						
120A_	5253020010	AIR CLEANER COVER		1				
121	5203004010	AIR FILTER		1				
122	0043305650	SCREW ASS'Y		2	*			
122-1	265667-3	PAN HEAD SCREW M5X65 WITH R	O	2				
123A_	5253003020	AIR CLEANER HOUSING COMPLETE		1				
124	5256501100	O RING		1	*			
124-1	5236061000	O RING		1				
126A_	5256501900	CABLE BRACKET		1				
127	5236018040	SWIVEL		1	*			
127-1	325922-6	SWIVEL	O	1				
128	5206008030	PAN HEAD SCREW		2	*			
128-1	266581-6	PAN HEAD SCREW M3X8 WITH W	O	2	*			
128-2	WJ00096364	SCREW M3X8 WITH WASHER	O	2				
129A_	5256032010	THROTTLE VALVE ASS'Y		1				
130	5316005120	RING		1	*			
130-1	257964-1	STOP RING E-3	O	1				
131	5246001010	O RING		1	*			
131-1	213538-8	O RING 2	O	1				
132	5026004010	JET		1	*			
132-1	326085-1	JET	O	1				
133	5246001030	PUMP GASKET		1	*			
133-1	442172-9	PUMP GASKET	O	1				
134	5246001040	PUMP DIAPHRAGM		1	*			
134-1	168575-6	PUMP DIAPHRAGM	O	1	*			
134-2	WJ00009599	PUMP DIAPHRAGM	O	1				
135	5016004010	INLET SCREEN		1	*			
135-1	352010-6	INLET SCREEN	O	1	*			
135-2	WJ00014070	INLET SCREEN	O	1				
136	5256007010	PUMP BODY ASS'Y		1				
137	5236046040	METERING DIAPHRAGM GASKET		1	*			
137-1	442154-1	METERING DIAPHRAGM GASKET	O	1				
138	5316005250	METERING DIAPHRAGM ASS'Y		1	*			
138-1	168767-7	METERING DIAPHRAGM	O	1				
139	5236046060	AIR PURGE BODY ASS'Y		1	*			
139-1	140988-3	AIR PURGE BODY ASSEMBLY	O	1				
140	5246001150	PRIMER PUMP		1	*			
140-1	424314-7	PRIMER PUMP	O	1				
141	5236046050	PRIMER PUMP COVER		1	*			

Please order the parts with part number.

Print Date 26/6/2019

Model No.EH561 ENGINE HEDGE TRIMMER

Item	Parts No.	Description	I/C	Qty	New/Old	Opt. 1	Opt. 2	Note
141-1	346270-0	PRIMER PUMP COVER	O	1				
142	5236046010	PUMP COVER SCREW		4	*			
142-1	266582-4	TAPPING SCREW 3X24	O	4				
143	5103502800	SPACER GASKET		1	*			
143-1	5103502801	SPACER GASKET	O	1	*			
143-2	442177-9	GASKET AIR CLEANER	O	1				
144A_	5316020020	CABLE ADJUST SCREW		1	*			
144A1	326084-3	CABLE ADJUST SCREW M6X13	O	1				
145	5316005450	CABLE ADJUST NUT		1	*			
145-1	264065-8	CABLE ADJUST NUT M6	O	1				
146A_	0630029830	CONTROL CABLE		1				
147	5259504500	LABEL		1				
148	0561059990	HOSE CLAMP		1	*			
148-1	345920-4	HOSE CLAMP	O	1				
149	0440129970	OIL SEAL		2	*			
149-1	213628-7	OIL SEAL	O	2				
150	0600129920	BALL BEARING #6001 C3		2				
155	3251030040	SLIGHTLY STOPPER	S	1				
A01	5019001000	TOOL		1				
E01	6255021001	STRAP UNIT		1	*			
E01-1	6255021002	STRAP UNIT		1	*			
E01-2	5256067000	STRAP	S	1	*			
E01-3	140436-2	STRAP COMPLETE	O	1				
E02	5103502800	SPACER GASKET		1	*			
E02-1	5103502801	SPACER GASKET	O	1	*			
E02-2	442177-9	GASKET AIR CLEANER	O	1				
E03	0566059980	CLAMP		1	*			
E03-1	345963-6	CLAMP	O	1				
E04	0851049950	TUBE		1				

Please order the parts with part number.

Print Date 26/6/2019