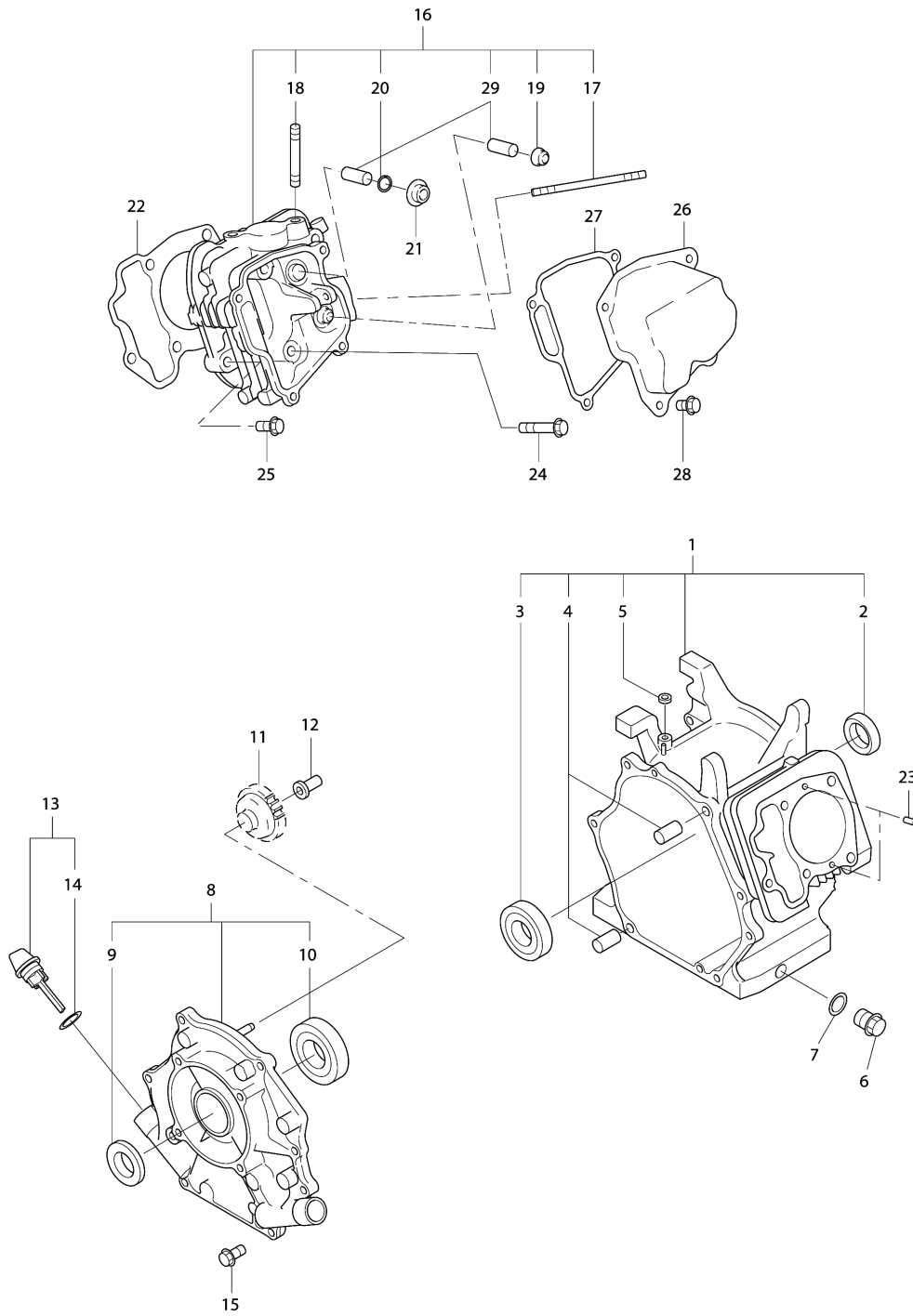
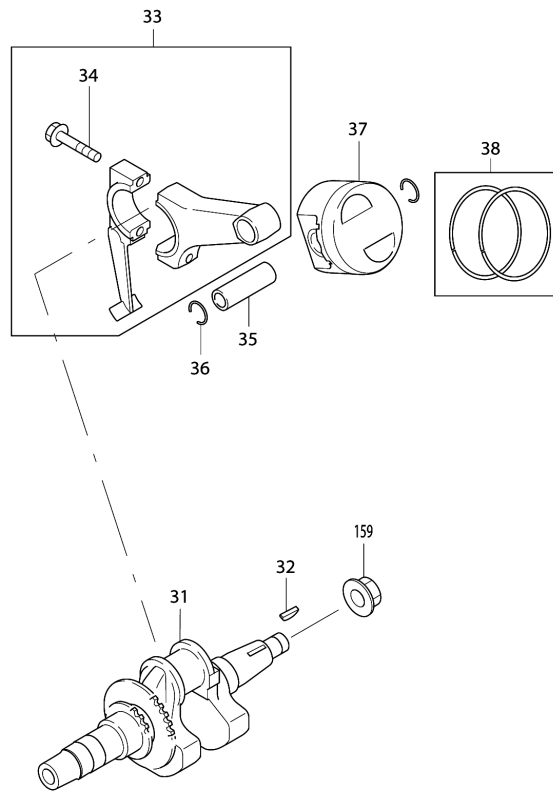


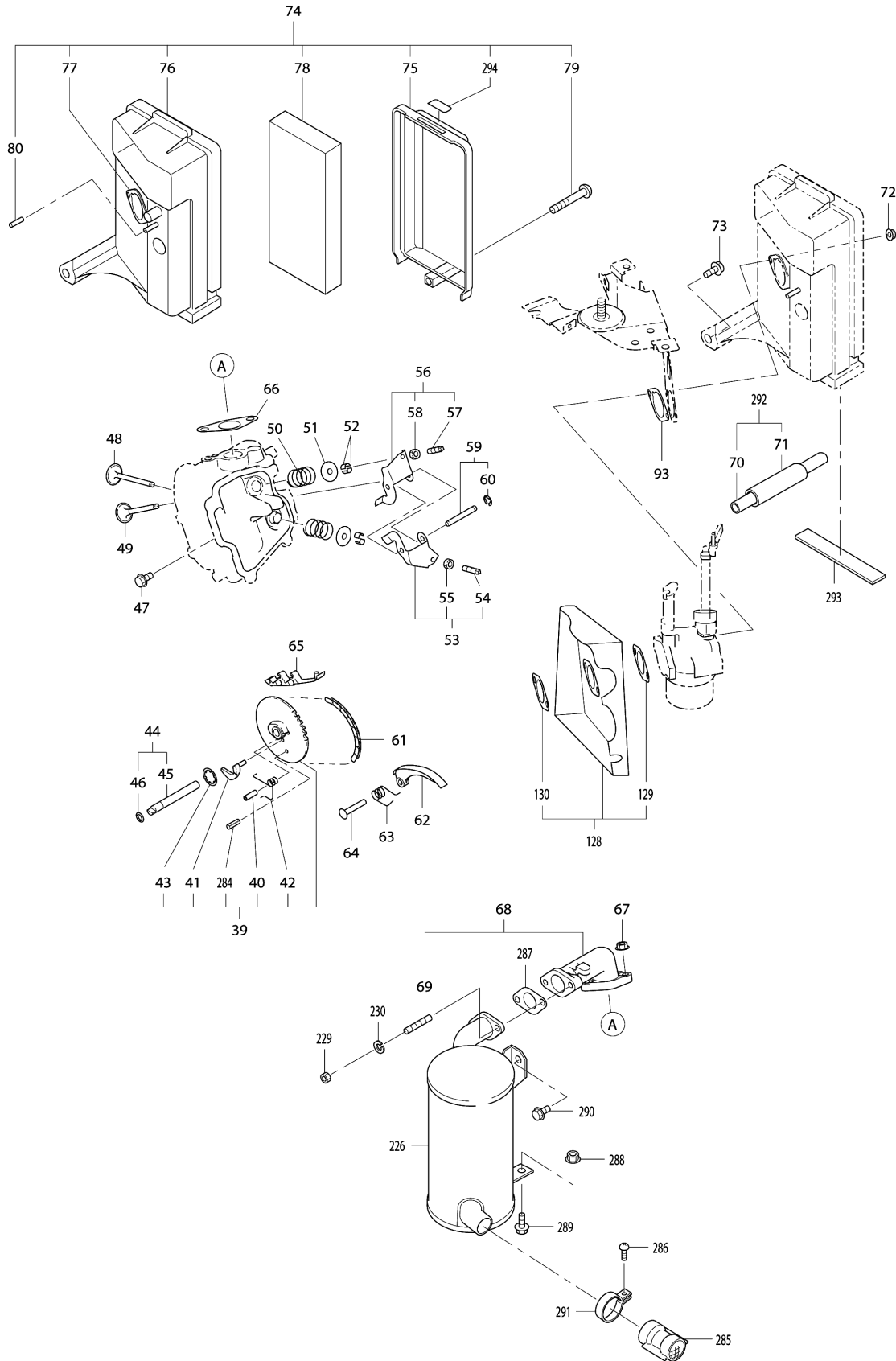
Model No. EG601A GENERATOR



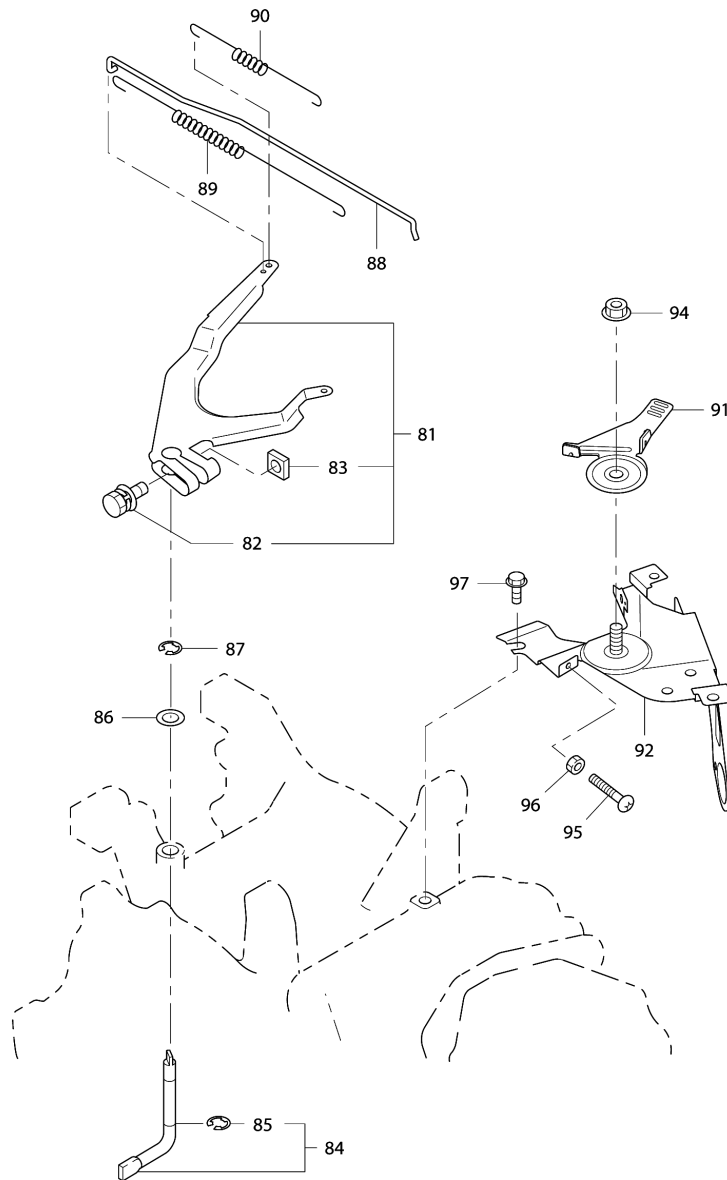
Model No.EG601A GENERATOR



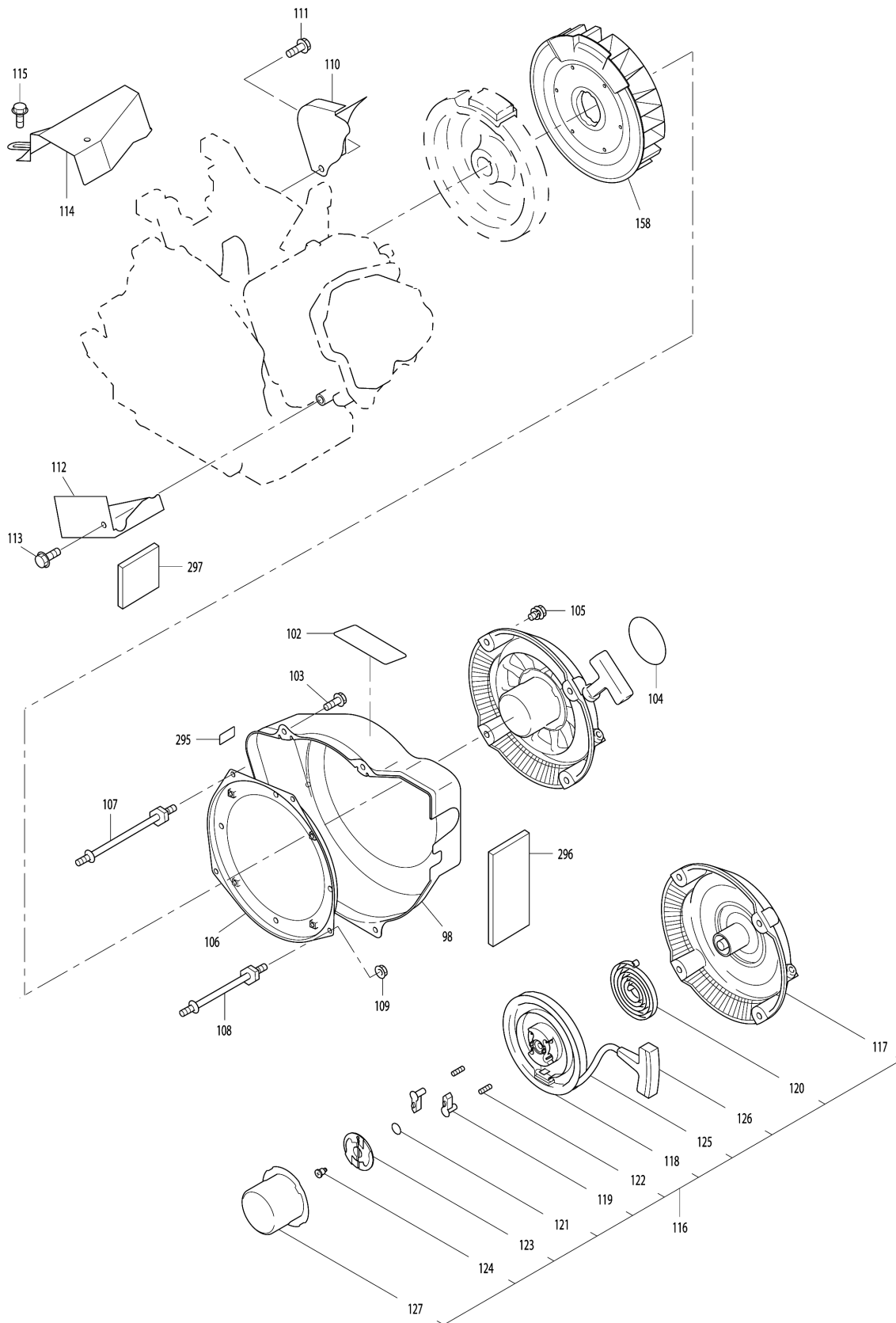
Model No. EG601A GENERATOR



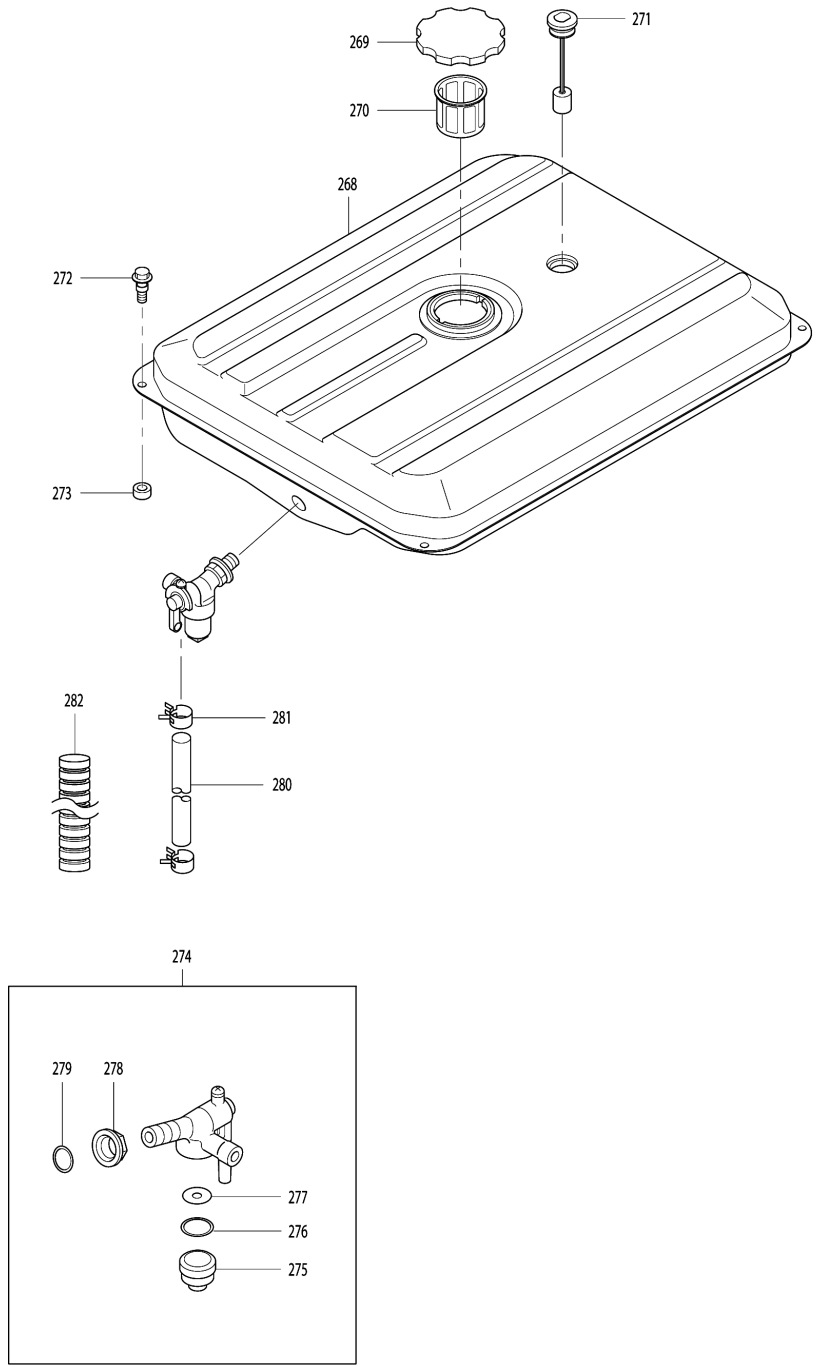
Model No.EG601A GENERATOR



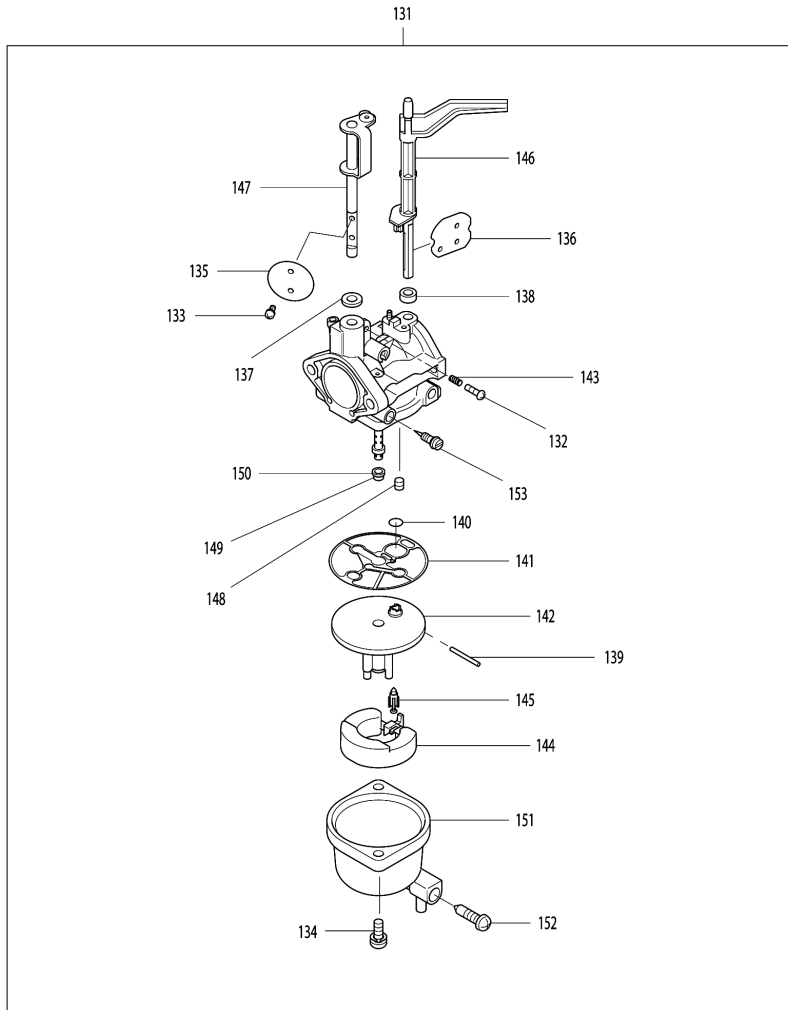
Model No.EG601A GENERATOR



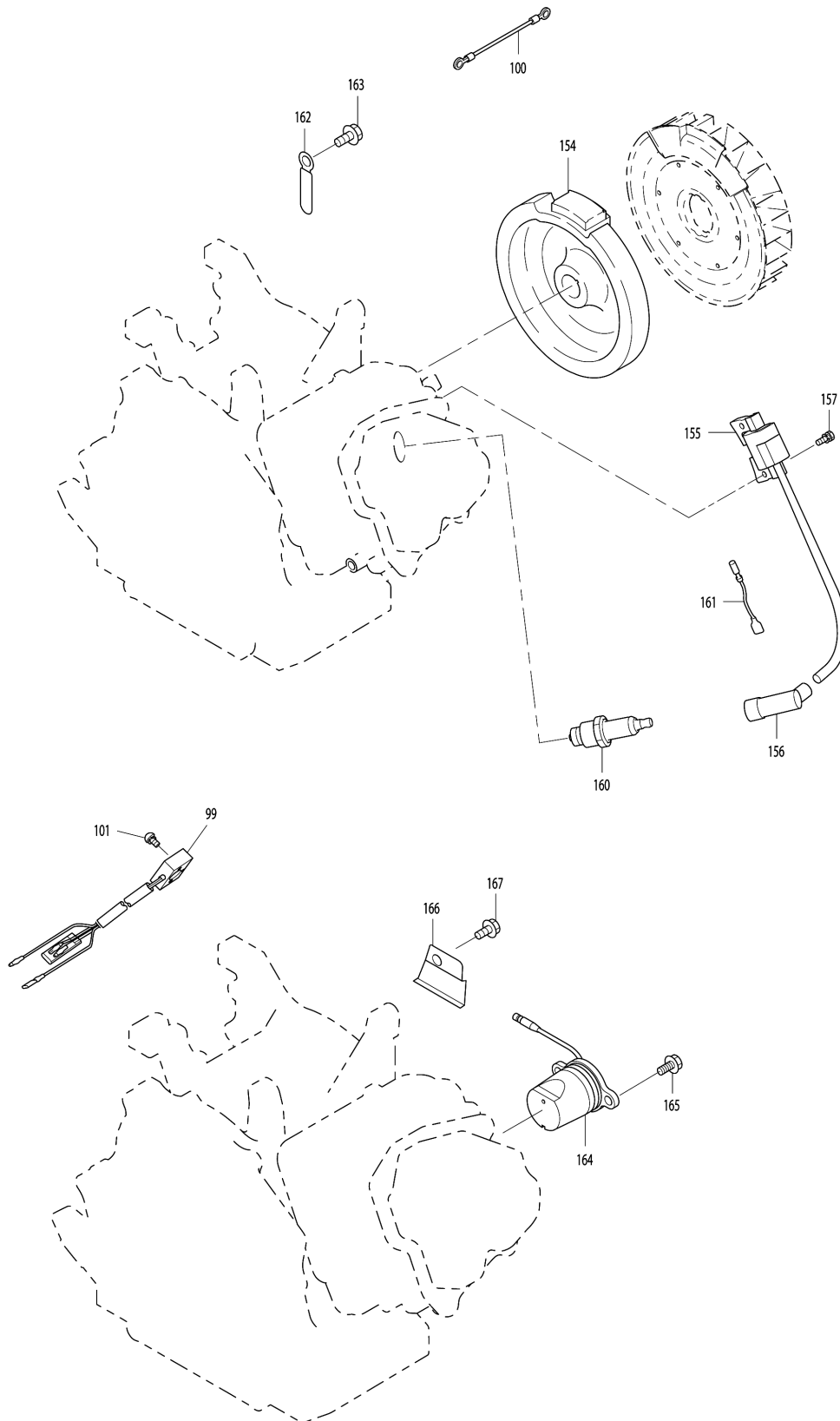
Model No. EG601A GENERATOR



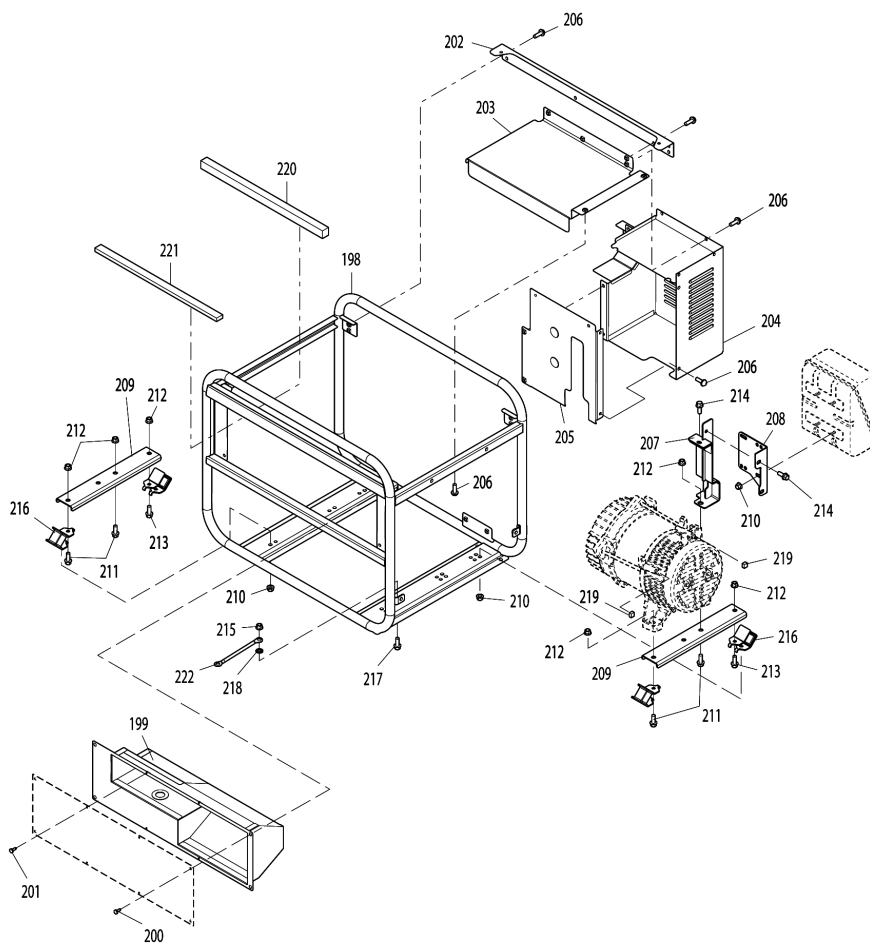
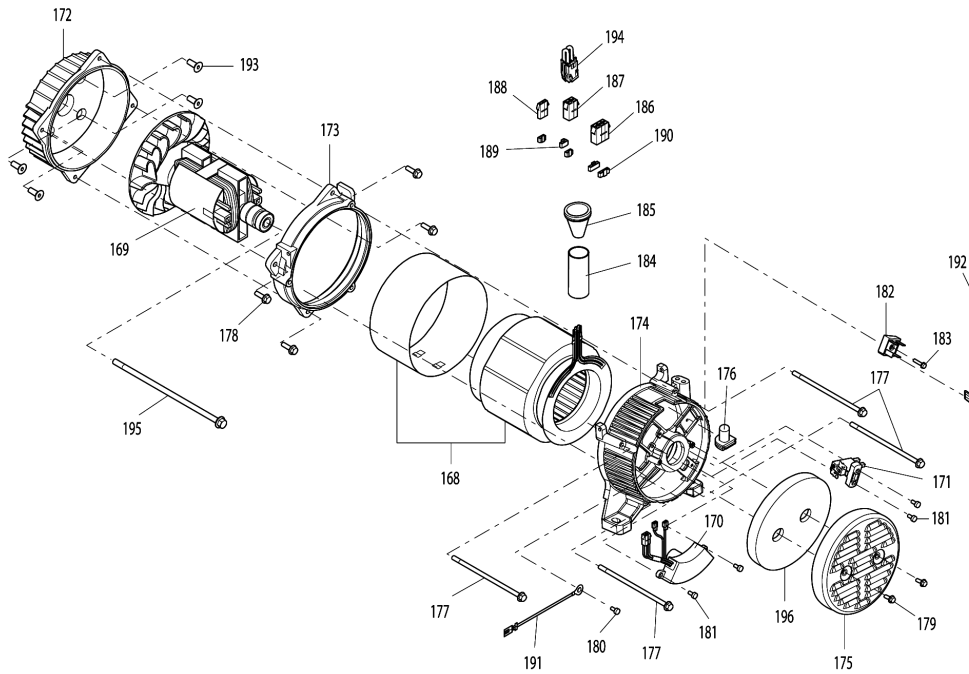
Model No.EG601A GENERATOR



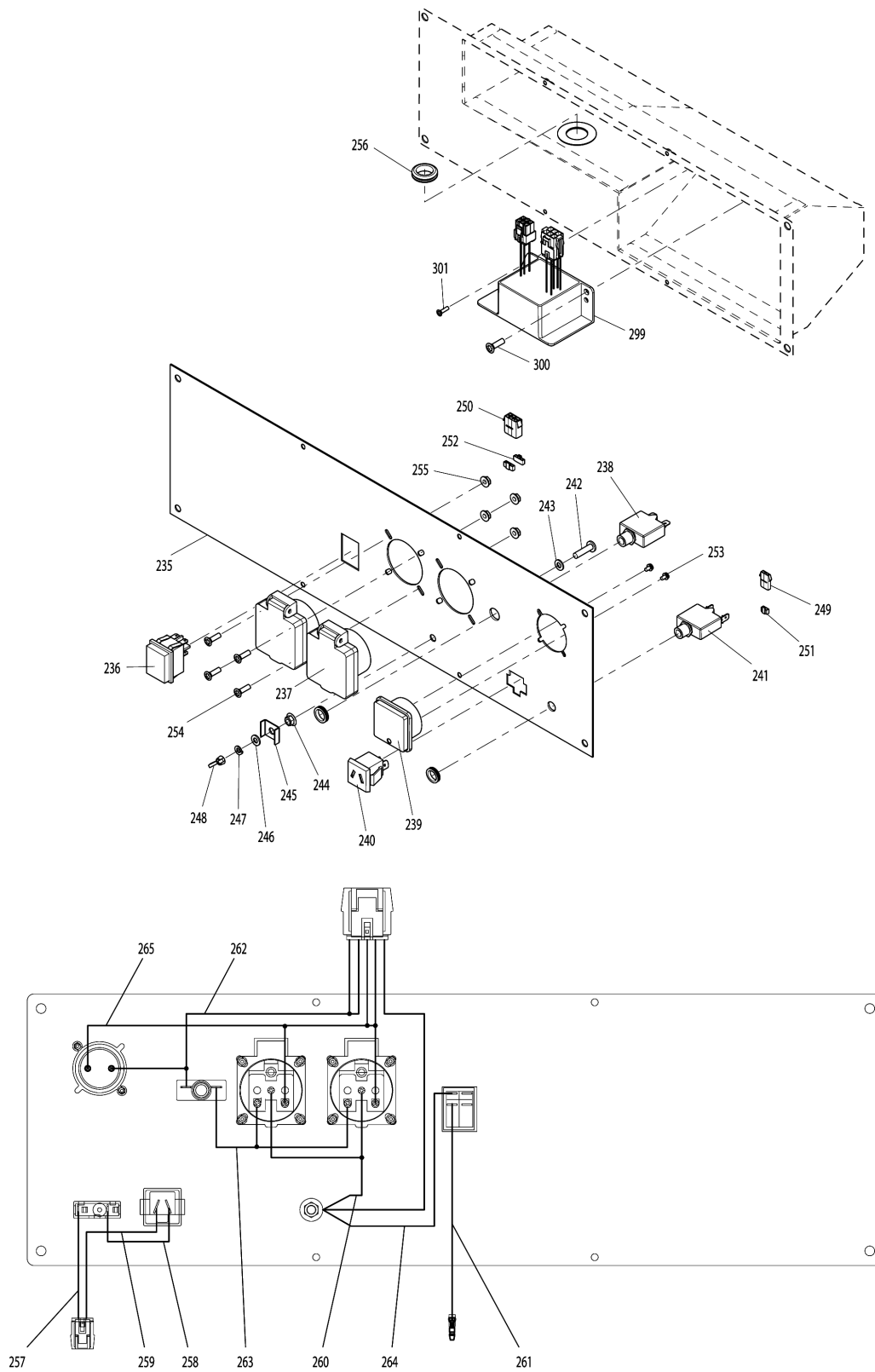
Model No.EG601A GENERATOR



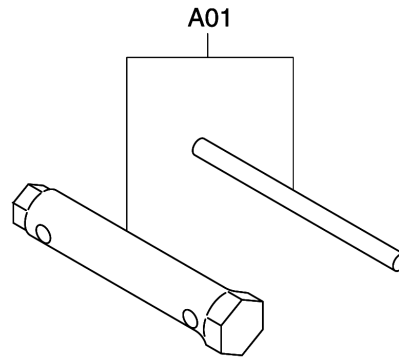
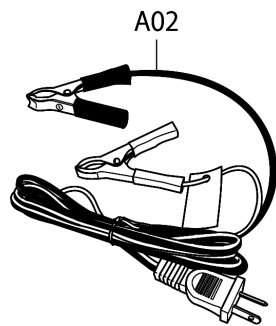
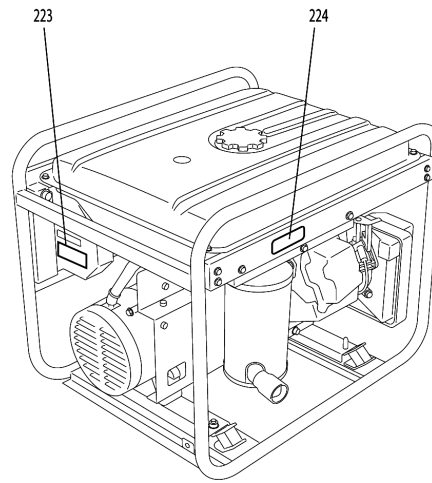
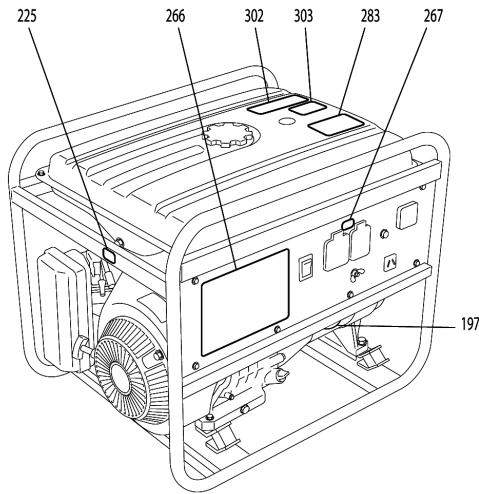
Model No. EG601A GENERATOR



Model No.EG601A GENERATOR



Model No. EG601A GENERATOR



Model No.EG601A GENERATOR

Item	Parts No.	Description	I/C	Qty	New/Old	Sales	Purch.	Note
001	20E1010421	CRANK CASE CP		1	*			
D10		INC. 2-5			*			
001-1	20E1010431	CRANK CASE CP	O	1	*			
D10		INC. 2-5			*			
001-2	20E1010441	CRANK CASE CP	<	1				
D10		INC. 2-5						
002	0440350090	OIL SEAL (TB 35X48X8MM)		1	*			
002-1	0440350091	OIL SEAL (TB 35X48X8MM)	<	1				
003	X600350240	BALL BEARING		1				
004	2771501103	PIPE KNOCK 10.3DX8.5DX14L		2				
005	0440080010	OIL SEAL		1				
006	0401140030	PLUG		1				
007	0211140020	GASKET		1				
008	20B1100411	MAINBEARING COVER CP		1	*			
D10		INC. 9-10			*			
008-1	20B1100421	MAINBEARING COVER CP	<	1				
D10		INC. 9-10						
009	0440350090	OIL SEAL (TB 35X48X8MM)		1	*			
009-1	0440350091	OIL SEAL (TB 35X48X8MM)	<	1				
010	X600350240	BALL BEARING		1				
011	20B4500301	GOVERNOR GEAR CP		1	*			
011-1	20B4500311	GOVERNOR GEAR CP	<	1				
012	2774190103	GOVERNOR SLEEVE		1	*			
012-1	2774190201	GOVERNOR SLEEVE CP	<	1				
013	2796360130	OIL GAUGE AY		2				
D10		INC. 14						
014	0213200050	GASKET		1	*			
014-1	0213200050	GASKET	<	2	*			
014-2	2796360108	GASKET	<	2	*			
014-3	0213200050	GASKET	O	2				
015	0110080340	FLANGE BOLT		8				
016	20B1300101	CYLINDER HEAD CP		1	*			
D10		INC. 17-18,29			*			
016-1	20B1300100	CYLINDER HEAD AY	<	1				
D10		INC. 17-20,29						
017	0105060351	STUD M6X1.0X98L		2				
018	0105080290	MUFFLER STUD		2				
019	13207AA050	SEAL(INTAKE VALVE)		1				
019-1	13211AA110	SEAL(INTAKE VALVE)		1				
020	0565100050	CLIP		1				
021	2633534103	RETAINER PLATE		1				
022	20B1500103	GASKET(HEAD)		1	*			

Please order the parts with part number.

Print Date 3/6/2019

Model No.EG601A GENERATOR

Item	Parts No.	Description	I/C	Qty	New/Old	Sales	Purch.	Note
022-1	20B1500123	GASKET(HEAD)	O	1	*			
022-2	20B1500133	GASKET(HEAD)	O	1				
023	0310060010	DOWEL PIN		2				
024	0110100040	FLANGE BOLT		4				
025	0010408350	FLANGE BOLT		2				
026	20B1550101	ROCKER COVER CP		1				
027	20B1600103	GASKET(ROCKER COVER)		1				
028	0110060020	FLANGE BOLT M6X1.0X14DX12L		4				
029	20B1420203	VALVE GUIDE		2				
030	20B9900107	GASKET SET		1	*			
030-1	20B9900117	GASKET SET	O	1	*			
030-2	20B9900117	GASKET SET	<	1	*			
D10		INC.007,014,022,027,066,093,			*			
D20		INC.129,130			*			
030-3	20B9900127	GASKET SET	<	1	*			
D10		INC.007,014,022,027,066,093,			*			
D20		INC.129,130			*			
030-4	20B9900137	GASKET SET	O	1				
D10		INC.007,014,022,027,066,093,						
D20		INC.129,130						
031	20B2070101	CRANK SHAFT CP		1				
032	0053205401	WOODRUFF KEY		1				
033	20B2250100	CONNECTING ROD AY		1	*			
D10		INC. 34			*			
033-1	20B2250300	CONNECTING ROD AY	<	1				
D10		INC. 34						
034	0010508400	FLANGE BOLT		2				
035	2632330133	PISTON PIN		1				
036	0565210020	CLIP		2				
037	20B23401H3	PISTON		1	*			
037-1	20B23401J3	PISTON	<	1	*			
037-2	22B23401J7	PISTON SET	S	1				
D10		INC. 38						
037A_	20B23403H3	PISTON O/S 0.25		1	*			
037A1	20B23403J3	PISTON O/S 0.25	<	1	*			
037A2	22B23403J7	PISTON SET O/S 0.25	S	1				
D10		INC. 38A						
037B_	20B23404H3	PISTON O/S 0.5		1	*			
037B1	20B23404J3	PISTON O/S 0.5	<	1	*			
037B2	22B23404J7	PISTON SET O/S 0.5	S	1				
D10		INC. 38B						
038	20B2350107	PISTON RING SET		1	*			

Please order the parts with part number.

Print Date 3/6/2019

Model No.EG601A GENERATOR

Item	Parts No.	Description	I/C	Qty	New/Old	Sales	Purch.	Note
038-1	22B2350107	PISTON RING SET	X	1				
038A_	20B2350207	PISTON RING SET O/S 0.25		1	*			
038A1	22B2350207	PISTON RING SET O/S 0.25	X	1				
038B_	20B2350307	PISTON RING SET O/S 0.5		1	*			
038B1	22B2350307	PISTON RING SET O/S 0.5	X	1				
039	20B3160210	CAMSHAFT AY		1	*			
D10		INC. 40-43			*			
039-1	20B3160100	CAMSHAFT AY		1	*			
039-2	20B3160110	CAMSHAFT AY		1	*			
039-3	20B3160120	CAMSHAFT AY	<	1	*			
039-4	20B3160220	CAM SHAFT ASSY	<	1				
040	0051904100	SPRING PIN		2				
041	2773640103	RELEASE LEVER		1	*			
041-1	2773640113	RELEASE LEVER	<	1				
042	20B3870103	RETURN SPRING		1				
043	20B3650103	CLIP		1				
044	20B3510121	PIN (CAM SHAFT) CP		1				
D10		INC. 45-46						
045	20B3510103	PIN(CAM SHAFT)		1				
046	0240070021	O-RING		1				
047	0110060010	FLANGE BOLT M6X1.0X14DX8L		1				
048	20B33401H3	INTAKE VALVE		1				
049	20B33501H3	EXHAUST VALVE		1	*			
049-1	20B33502H3	EXHAUST VALVE	<	1				
050	2463361103	VALVE SPRING		2				
051	2463371113	SPRING RETAINER		2				
052	2463550103	COLLET-VALVE		4				
053	20B3610100	ROCKER ARM(IN) AY		1				
D10		INC. 54-55						
054	0149050020	ADJUST SCREW M5X23		1				
055	0170050030	NUT M5		1				
056	20B3610210	ROCKER ARM(EX) AY		1				
D10		INC. 57-58						
057	0149050020	ADJUST SCREW M5X23		1				
058	0170050030	NUT M5		1				
059	20B3500101	PIN(ROCKER)CP		1				
D10		INC. 60						
060	0031306000	CLIP		1				
061	20B35601H1	TIMING CHAIN CP		1				
062	2773691103	TENSIONER		1	*			
062-1	20A3691103	TENSIONER	<	1				
063	2773710103	SPRING(TENSIONER)		1				

Please order the parts with part number.

Print Date 3/6/2019

Model No.EG601A GENERATOR

Item	Parts No.	Description	I/C	Qty	New/Old	Sales	Purch.	Note
064	2773690203	PIN(TENSIONER) 6DX13DX34L		1				
065	2773691313	CHAIN GUIDE		1	*			
065-1	20A3691303	CHAIN GUIDE	<	1				
066	20B3520103	GASKET(MUFFLER)		1	*			
066-1	20B3520113	GASKET(MUFFLER)	O	1				
067	9802008280	FLANGE NUT M8		2	*			
067-1	0023808000	FLANGE NUT	O	2				
068	20B3400101	EXHAUST PIPE CP		1				
D10		INC. 69						
069	0105080290	MUFFLER STUD		2				
070	X851100170	RUBBER PIPE		1				
071	20B69001H3	SPONGE PROTECTOR		1				
072	0023806000	FLANGE NUT M6		2				
073	0010406160	FLANGE BOLT		1				
074	20B32621H0	AIR CLEANER AY		1	*			
D10		INC. 75-80			*			
074-1	20B32621J0	AIR CLEANER AY	<	1				
D10		INC. 75-80						
075	20B32640H8	COVER CP		1				
076	20B32631H8	BODY CP		1	*			
076-1	20B32631J8	BODY COMPLETE	<	1				
077	20B32720H8	PACKING		1				
078	20B32610H7	ELEMENT AY		1	*			
078-1	20B32610J7	ELEMENT AY	<	1				
079	20B32650H8	BOLT		1				
080	20B32850H8	CAP		1				
081	20B4230110	GOVERNOR LEVER AY		1	*			
D10		INC. 82-83			*			
081-1	20B4230120	GOVERNOR LEVER AY	O	1				
D10		INC. 82-83						
082	0011406250	BOLT & WASHER ASS'Y		1				
083	0186060020	NUT M6X1.0X4.9H		1				
084	20B4220101	GOVERNOR SHAFT CP		1				
085	0031306000	CLIP		1				
086	0031108000	WASHER		1				
087	0031306000	CLIP		1				
088	20B4270113	GOVERNOR ROD		1				
089	20B4280113	ROD SPRING		1				
090	20B4250213	GOVERNOR SPRING		1				
091	20B4335103	SPEED CONTROL LEVER		1				
092	20B4600121	SPEED CONTROL BKT CP		1				
093	20B3590313	GASKET 3		1				

Please order the parts with part number.

Print Date 3/6/2019

Model No.EG601A GENERATOR

Item	Parts No.	Description	I/C	Qty	New/Old	Sales	Purch.	Note
094	0023506000	SELF LOCK NUT		1				
095	0043106400	SCREW		1				
096	0022706000	NUT M6		1				
097	0110060020	FLANGE BOLT M6X1.0X14DX12L		1				
098	20B51201H1	BLOWER HOUSING CP		1				
099	KU31107601	FLOAT C/U CP10		1				
100	20B7310201	WIRE 2 CP		1				
101	0043604120	SCREW AND WASHER AY		2				
102	0732005760	LABEL(WARNING)		1				
103	0010406160	FLANGE BOLT		5				
104	0732005820	LABEL (TRADE MARK)		1				
105	0130060281	BOLT AND WASHER AY		4				
106	20B5510102	RECOIL BRACKET UN		1				
107	0100080440	BOLT		2				
108	0100080450	BOLT		2				
109	0023806000	FLANGE NUT M6		4				
110	2795271111	BAFFLE 1 (CASE) COMPLETE		1				
111	0016508120	BOLT		1				
112	20B52702H1	BAFFLE 2(HEAD) CP		1				
113	0110060020	FLANGE BOLT M6X1.0X14DX12L		3				
114	20B5500103	DUCT(CASE)		1				
115	0110060020	FLANGE BOLT M6X1.0X14DX12L		3				
116	20B5070120	RECOIL STARTER AY		1	*			
D10		INC. 117-127			*			
116-1	20B50701H0	RECOIL STARTER AY	O	1				
D10		INC. 117-127						
117	20B5015008	STARTER CASE CP		1				
118	20B5012008	REEL		1				
119	1615012508	RATCHET		2				
120	2775015508	SPIRAL SPRING		1				
121	2275013108	FRICTION SPRING		1				
122	2275013508	RETURN SPRING		2				
123	1615015008	RATCHET GUIDE		1				
124	20B5010108	SET SCREW		1				
125	20B5011008	STARTER ROPE		1				
126	2615010018	STARTER KNOB		1				
127	20B5014608	PULLEY CP		1				
128	20B32901J1	INSULATOR CP		1	*			
D10		INC. 129-130			*			
128-1	20B32901K1	INSULATOR CP	O	1				
D10		INC. 129-130						

Please order the parts with part number.

Print Date 3/6/2019

Model No.EG601A GENERATOR

Item	Parts No.	Description	I/C	Qty	New/Old	Sales	Purch.	Note
129	20B35901H3	GASKET 1		1				
130	20B35902H3	GASKET 2		1				
131	20E6230110	CARBURETOR AY		1	*			
D10		INC. 132-153			*			
131-1	20E6230130	CARBURETOR AY	<	1				
D10		INC. 132-153						
132	20B6235308	SCREW,THRO.ADJUST		1				
133	2616235208	SCREW VALVE SET		2				
134	20B6245308	SCREW		2				
135	20B6253508	VALVE,THROTTLE		1				
136	20B6252608	VALVE,CHOKE		1				
137	2266258008	AIR FILTER		1				
138	2586255408	FILTER CHOKE SHAFT		1				
139	2636251508	PIN,FLOAT		1				
140	20B6254108	O RING		1				
141	20B6254008	SPACER		1				
142	20B6252008	SPACER		1				
143	20B6244508	SPRING,THRO.ADJUST		1				
144	20B6250508	FLOAT AY		1				
145	20B6250008	VALVE AY FLOAT		1				
146	20B6252718	CHOKE SHAFT		1				
147	20B6253008	SHAFT AY,THROTTLE		1				
148	20B6242108	JET, SLOW		1				
149	20B6243608	JET, MAIN (#107)		1				
150	20B6254208	O RING		1				
151	20B6255008	CHAMBER CP,FLOAT		1				
152	20B6235408	SCREW,DRAIN		1				
153	20B6235708	NEEDLE CP,IDLEADJUST		1	*			
154	20B79230H1	FLYWHEEL CP		1				
155	20B79430H1	IGNITION COIL CP		1				
156	0655000320	SPARK PLUG CAP		1				
157	0011406300	BOLT AND WASHER ASS'Y		2				
158	20B54101H3	COOLING BLOWER		1				
159	0180180010	FLANGE NUT M18X15X31DX14H		1				
160	0650140150	SPARK PLUG (BR6HS)		1				
161	20B7310101	WIRE 1 CP		1				
162	2147900601	CLAMP COMPLETE		1				
163	0110060010	FLANGE BOLT M6X1.0X14DX8L		1				
164	2797630151	OIL SENSOR CP		1	*			
164-1	2797630161	OIL LEVEL SENSOR CP	<	1				
165	0010406140	FLANGE BOLT		2				

Please order the parts with part number.

Print Date 3/6/2019

Model No.EG601A GENERATOR

Item	Parts No.	Description	I/C	Qty	New/Old	Sales	Purch.	Note
166	20B7550103	WIRE CLAMP		1	*			
166-1	20B7550113	WIRE CLAMP	<	1				
167	0152060050	TAPPING BOLT		1				
168	36D2000108	STATOR CP		1	*			
168-1	FJ20345002	STATOR COMPLETE	O	1				
169	36D2010108	ROTOR CP		1	*			
169-1	FJ90455002	ROTOR COMPLETE	O	1				
170	36D2020108	AVR CP		1				
171	36A2030008	BRUSH CP		1				
172	36A2200008	GEN BRACKET 1		1				
172-1	36D2200008	BRACKET 1		1				
173	36C2210008	GEN BRACKET N		1				
174	36C2220008	GEN BRACKET 2		1				
175	36C2300008	BRACKET COVER		1				
176	36C2500008	BUSHING		1				
177	36D2100008	STATOR BOLT		4				
178	36A8000508	FLANGE BOLT		4				
179	36A8000108	FLANGE BOLT		2				
180	36A8010008	SCREW & WASHER AY		1				
181	36A8000208	FLANGE BOLT		4				
182	36A2500108	DIODE CP		1				
183	36A8010108	SCREW & WASHER AY		1				
184	36C2500208	TUBE		1				
185	36A2500308	GROMMET		1				
186	36A7000008	CONNECTOR(6P)		1				
187	36A7000408	CONNECTOR(4P)		1				
188	36A7000208	CONNECTOR(2P)		1				
189	36A7010108	RETAINER(2P)		3				
190	36A7010008	RETAINER(3P)		2				
191	36A7101308	WIRE(GREEN)		1				
192	36A7100108	WIRE(WHITE)		1				
193	36A8020008	SCREW		4				
194	36A7000508	CONNECTOR AY		1				
195	36D2110008	ROTOR BOLT		1				
196	36C2500408	SPONGE(FILTER)		1				
197	0732005820	LABEL (TRADE MARK)		1				
198	36D3000108	PIPE FRAME CP		1				
199	36C4000108	CONTOROL BOX AY		1				
200	36A8010408	SCREW & WASHER AY		4				
201	36A8010508	SCREW & WASHER AY		4				
202	36D3400008	BRACKET(TANK-A)CP		1				
203	36D3410008	GUIDE PLATE CP		1				

Please order the parts with part number.

Print Date 3/6/2019

Model No.EG601A GENERATOR

Item	Parts No.	Description	I/C	Qty	New/Old	Sales	Purch.	Note
204	36D3200008	MUFFLER COVER (R) CP		1				
205	36D3210008	MUFFLER COVER (F) CP		1				
206	36A8030008	BOLT & WASHER AY		21				
207	36D3250008	MUFFLER BRACKET 1 CP		1				
208	36D3260008	MUFFLER BRACKET 2 CP		1				
209	36D3300008	MOUNT BASE CP		2				
210	36A8100208	FLANGE NUT		8				
211	36A8000608	FLANGE BOLT		4				
212	36A8100308	FLANGE NUT		6				
213	36A8000708	FLANGE BOLT		2				
214	36A8000808	FLANGE BOLT		3				
215	36A8100408	FLANGE NUT		1				
216	36D3700008	MOUNT CP		4				
217	36A8000408	FLANGE BOLT		1				
218	36A8200108	LOCK WASHER		1				
219	36A2500508	SPONGE(GEN)		2				
220	36D3500008	SPONGE(TANK)		1				
221	36C3500108	SPONGE(PANEL)		1				
222	36A7101908	WIRE(GREEN/YELLOW)		1				
223	36D9100208	LABEL(SPEC)		1				
224	36A9800308	LABEL(HOT & GAS)		1				
225	36A9800108	LABEL(FUEL COCK)		1				
226	20B30103A1	MUFFLER CP		1				
226-1	36D1100111	MUFFLER CP		1				
227	2673760101	SPARK ARRESTER CP		1				
228	0150040060	TAPPING SCREW M4X6L		1				
229	0021808000	NUT		2				
230	0032008000	SPRING WASHER		2				
231	36D1400101	EXHAUST PIPE		1				
232	0103080070	BOLT		2				
233	0203080010	SPRING WASHER		2				
234	2703520101	GASKET COMPL.(EXHAUST)		2				
235	36D4100108	CONTROL PANEL CP		1				
236	36A4900008	SWITCH(ENGINE)		1				
237	36A4700108	AC CONCENT (GER)		2				
238	36C4800008	CIRCUIT BREAKER(10A)		1				
239	36A4900108	VOLT METER		1				
240	36A4710108	DC CONCENT		1				
241	36A4800108	CIRCUIT BREAKER(10A)		1				
242	36A8010208	SCREW & WASHER AY		1				
243	36A8200008	LOCK WASHER		1				
244	36A8100008	FLANGE NUT		1				

Please order the parts with part number.

Print Date 3/6/2019

Model No.EG601A GENERATOR

Item	Parts No.	Description	I/C	Qty	New/Old	Sales	Purch.	Note
245	36A8210008	CAP WASHER		1				
246	36A8220008	WASHER		1				
247	36A8230008	SPRING WASHER		1				
248	36A8110008	WING NUT		1				
249	36A7000308	CONNECTOR(2P)		1				
250	36A7000108	CONNECTOR(6P)		1				
251	36A7010108	RETAINER(2P)		1				
252	36A7010008	RETAINER(3P)		2				
253	36A8010308	SCREW & WASHER AY		2				
254	36A8020108	SCREW		8				
255	36A8100108	FLANGE NUT		8				
256	36C4990008	GROMMET		1				
257	36A7100208	WIRE(WHITE)		1				
258	36A7100308	WIRE(WHITE)		1				
259	36A7100408	WIRE(BLACK)		1				
260	36A7101408	WIRE(GREEN)		1				
261	36A7100608	WIRE(BLACK)		1				
262	36A7101508	WIRE(RED)		1				
263	36A7101608	WIRE(RED)		1				
264	36A7101708	WIRE(GREEN)		1				
265	36A7101808	WIRE(BLUE)		1				
266	36D9000208	LABEL(TRADE MARK)		1				
267	36A9800408	LABEL(ELEC.SHOCK)		1				
268	31H3600501	FUEL TANK CP		1				
269	0430590011	FUEL TANK CAP, COMPLETE		1				
270	0641540011	FUEL FILTER		1				
271	0648001500	FUEL GAUGE COMPLETE		1				
272	0110060220	FLANGE BOLT		4				
273	3913900013	RUBBER (TANK)		4				
274	0642006400	FUEL STRAINER ASS'Y		1				
D10		INC. 275-279						
275	0642004210	CUP		1				
276	0642006410	RUBBER PACKING		1				
277	0642006420	SCREEN		1				
278	0642006430	NUT		1				
279	0642006440	RUBBER PACKING		1				
280	0851061860	RUBBER PIPE		1	*			
280-1	0851061861	RUBBER PIPE	<	1				
281	0561100030	HOSE CLAMP		2				
282	36D6000108	CORRUGATED TUBE(150)		1				
283	36A9800208	LABEL(SYMBOL-TANK)		1				
284	0318050020	ROLL PIN		1				

Please order the parts with part number.

Print Date 3/6/2019

Model No.EG601A GENERATOR

Item	Parts No.	Description	I/C	Qty	New/Old	Sales	Purch.	Note
285	20B3760211	SILENCER CP		1				
286	0043104160	SCREW PANHEAD		1				
287	2703520101	GASKET COMPL.(EXHAUST)		1				
288	0023808000	FLANGE NUT		1				
289	0110080010	FLANGE BOLT		1				
290	0110080320	FLANGE BOLT		1				
291	20B3920301	BAND (SILENCER) CP		1				
292	20B66001H0	RUBBER PIPE AY		1				
293	20B3280101	SEAL SPONGE		2				
294	20B32660H8	CHOKE LABEL		1	*			
294-1	0732004430	LABEL(CHOKE)	<	1				
295	0732005570	LABEL(CAUTION)		1				
296	20B5960103	SPONGE		1				
297	20B5960203	SPONGE		1				
298	36A8220208	WASHER		1				
299	36A7500108	NOISE FILTER		1				
300	36A8030008	BOLT & WASHER AY		1				
301	36A8010708	SCREW & WASHER AY		1				
302	36A9802108	LABEL (CE CAUTION)		1				
303	36C9800108	LABEL (SOUND 97DB)		1				
A01	2249030300	ACCESSORY TOOLS KIT		1				
A02	36A7900008	BATTERY CABLE		1				

Please order the parts with part number.

Print Date 3/6/2019