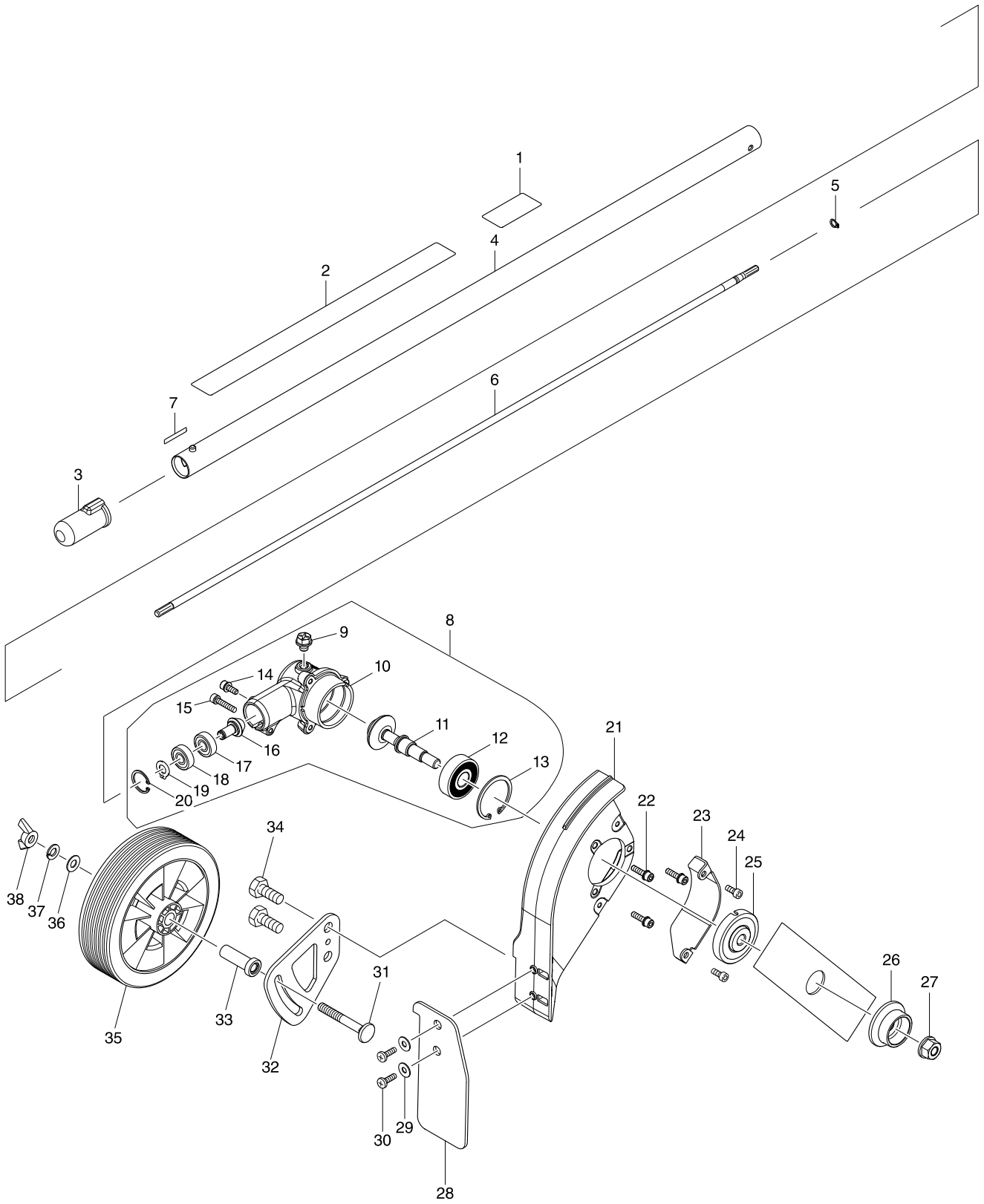


# Mallinnumero EE400MP EDGER ATTACHMENT



# Mallinumero EE400MP EDGER ATTACHMENT

Sivu 1 / 1

Nimike	Osanumero	Kuvaus	I/C nu	MÄÄRÄ	N/O	Opt. 1	Opt. 2	HUOMAUTUS
001	893670-0	MAKITA LOGO LABEL		1				
002	803G39-2	CAUTION LABEL		1				
003	424434-7	CAP 24		1				
004	142564-9	SHAFT PIPE A COMPLETE		1				
C10	804L38-7	SOUND 103DB94DB LABEL		1				
D10		INC. 2						
005	961003-8	RETAINING RING S-7		1				
006	326088-5	SHAFT A		1				
007	814A82-0	DATE CODE LABEL		1				
008	126414-6	GEAR CASE ASS'Y		1				
D10		INC. 9-13,15-20						
009	265590-2	+HEX.BOLT M8X10 WITH R		1				
010	319102-4	GEAR CASE		1				
011	126415-4	CUTTER SHAFT ASS'Y		1				
012	211231-8	BALL BEARING 6302DDW		1				
013	962201-7	RETAINING RING (INT) R-42		1				
014	922218-2	H.S.H.BOLT M5X14 WITH WR		1				
015	922241-7	HEX. SOCKET HEAD BOLT M5X25		1				
016	227629-9	SPIRAL BEVEL GEAR 14		1				
017	210049-4	BALL BEARING 609ZZ		1				
018	210049-4	BALL BEARING 609ZZ		1				
019	961005-4	RETAINING RING S-9		1				
020	962103-7	RETAINING RING R-24		1				
021	319103-2	BLADE CASE		1				
022	922233-6	HEX SOCKET HEAD BOLT M5X20		3				
023	346759-8	GUARD PLATE		1				
024	266874-1	H.S.H.BOLT M5X14		2				
025	326382-5	RECEIVE WASHER		1	*			
025-1	326734-0	RECEIVE WASHER	<	1				
026	326381-7	CLAMP		1				
027	264025-0	HEX. NUT M10-17		1				
028	424615-3	DEFLECTOR		1				
029	253804-1	FLAT WASHER 6		2				
030	266027-2	TAPPING SCREW CT5X16		2				
031	266876-7	C.H.SQUARE NECK BOLT M8X62		1	*			
031-1	266937-3	C.HEAD SQUARE NECK BOLT M8X64	S	1				
032	346758-0	PLATE		1				
033	257821-3	SLEEVE 8		1				
034	921542-0	HEX. BOLT M10X25		2				
035	454843-6	WHEEL		1				
036	941201-0	FLAT WASHER 8		1				
037	942201-3	SPRING WASHER 8		1				
038	934401-9	WING NUT M8		1				
039	234355-3	RING SPRING 5	S	1				
A01	196745-7	BLADE SET		1				