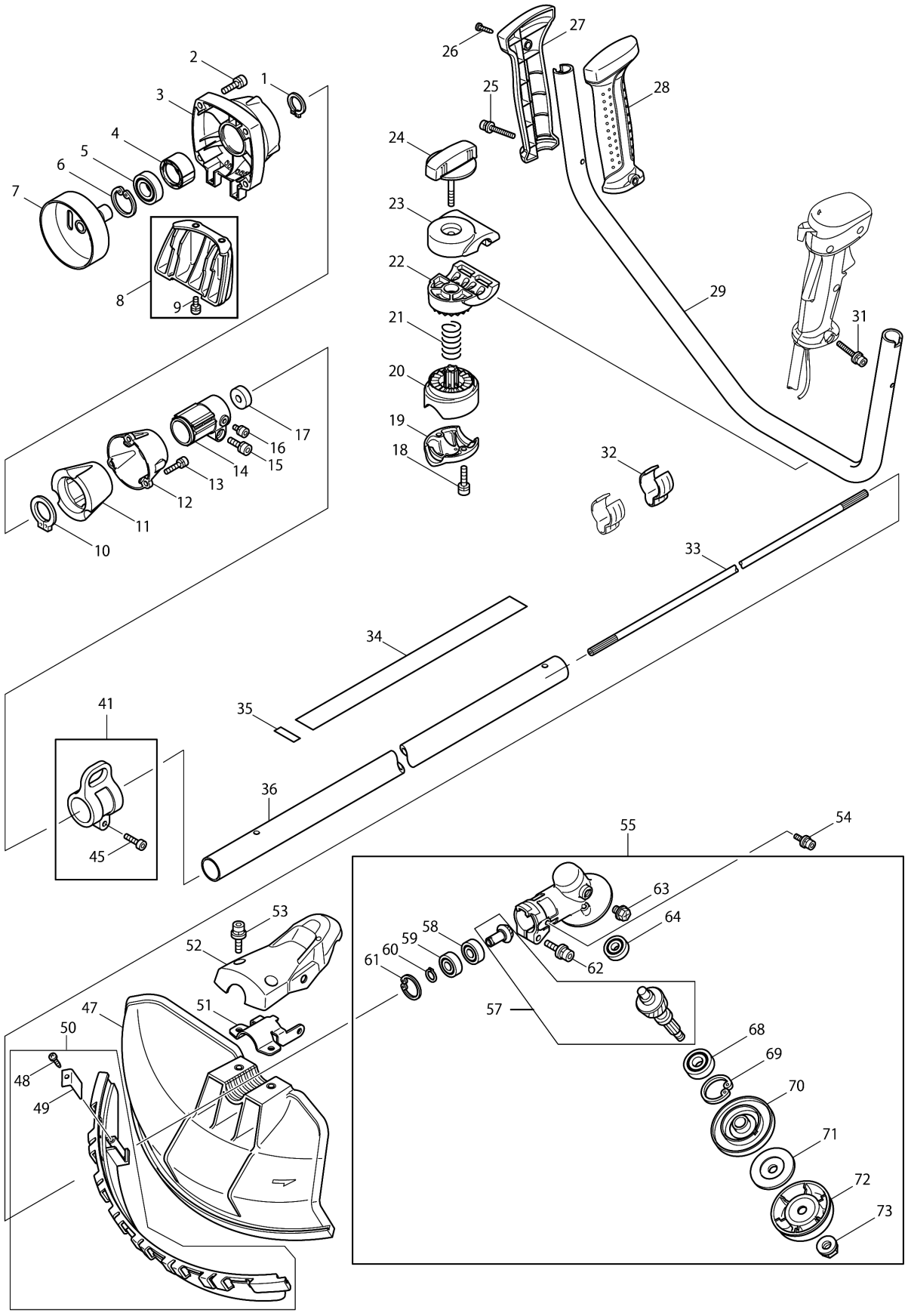
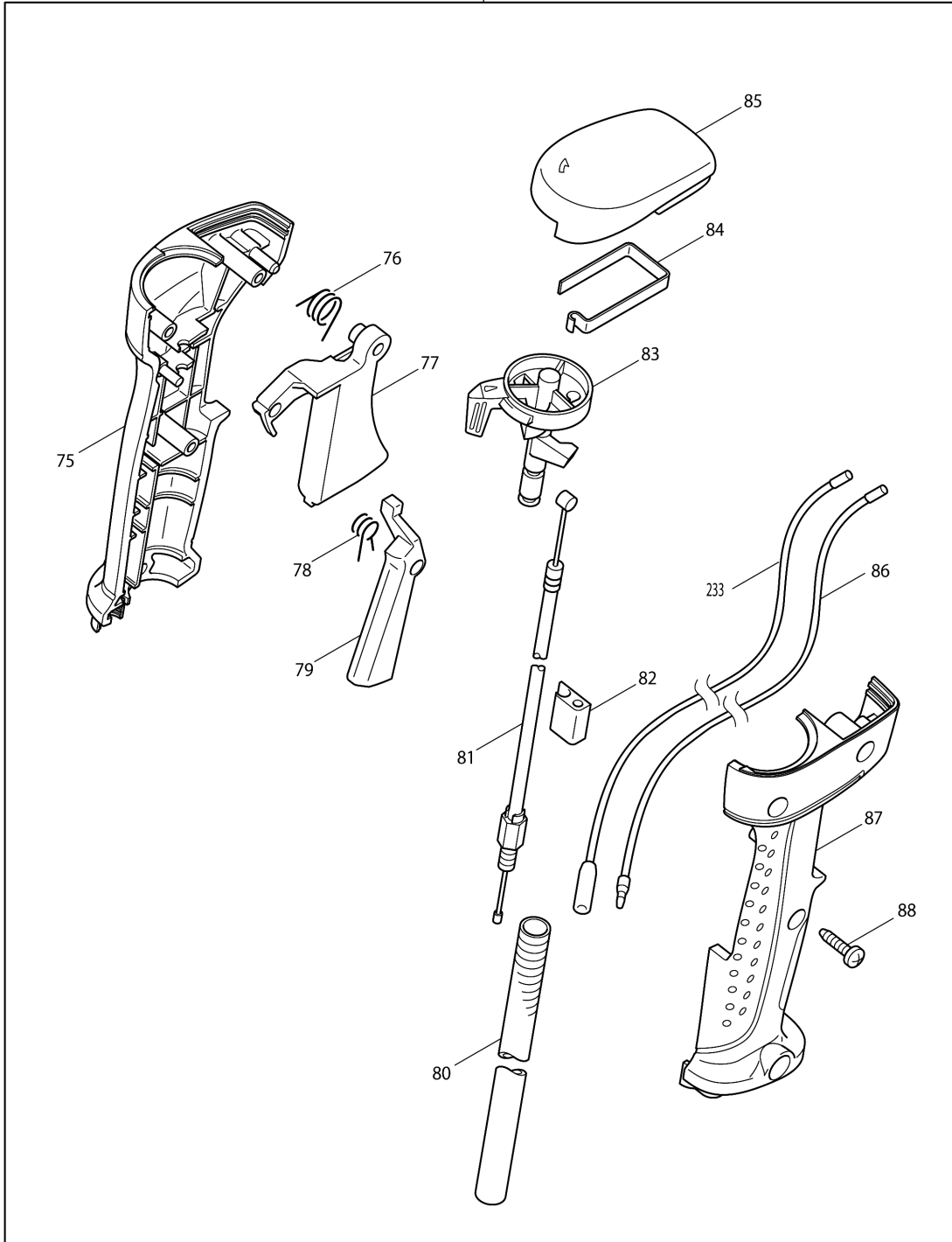


Model No.EBH341U BRUSH CUTTER

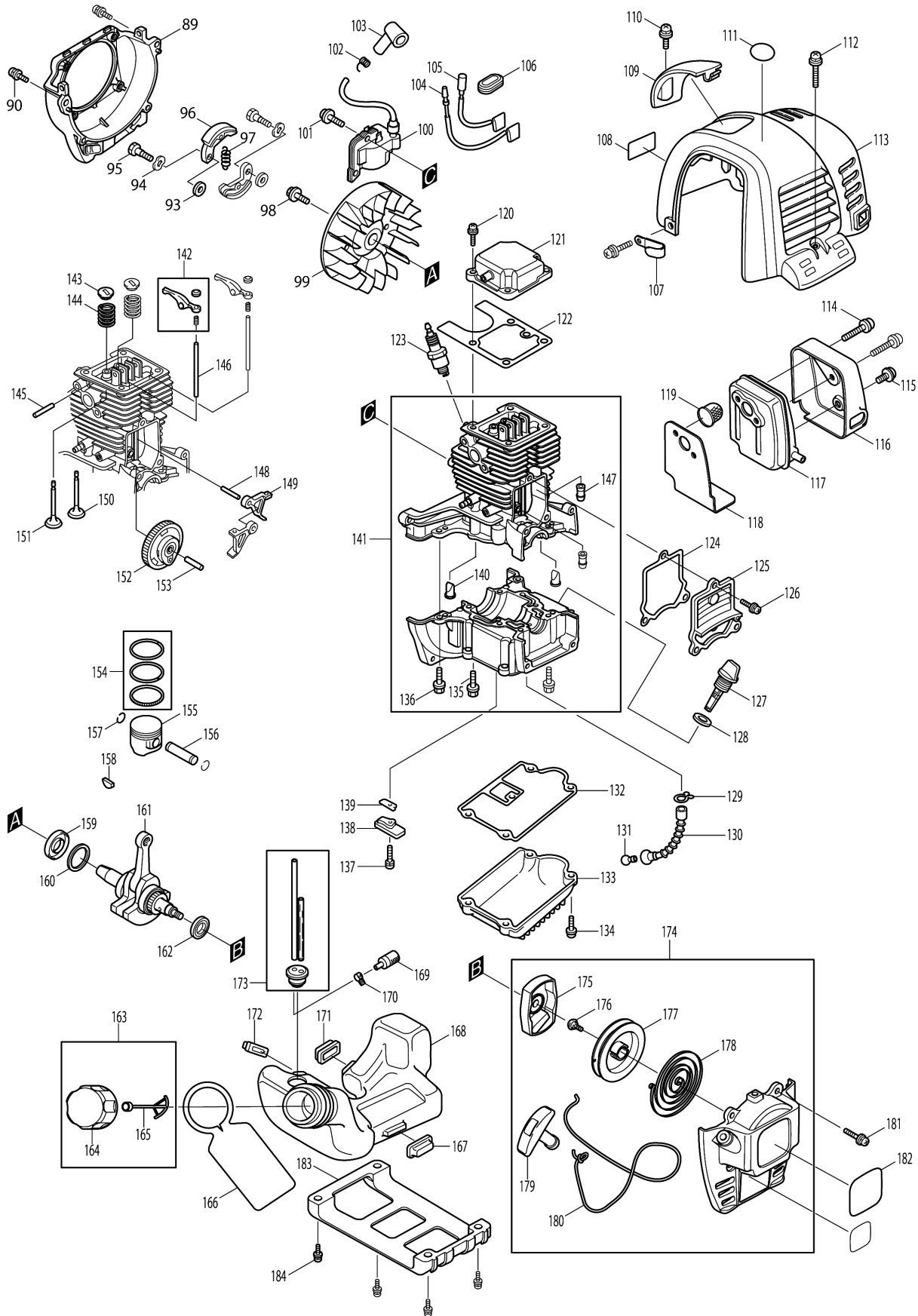


Model No.EBH341U BRUSH CUTTER

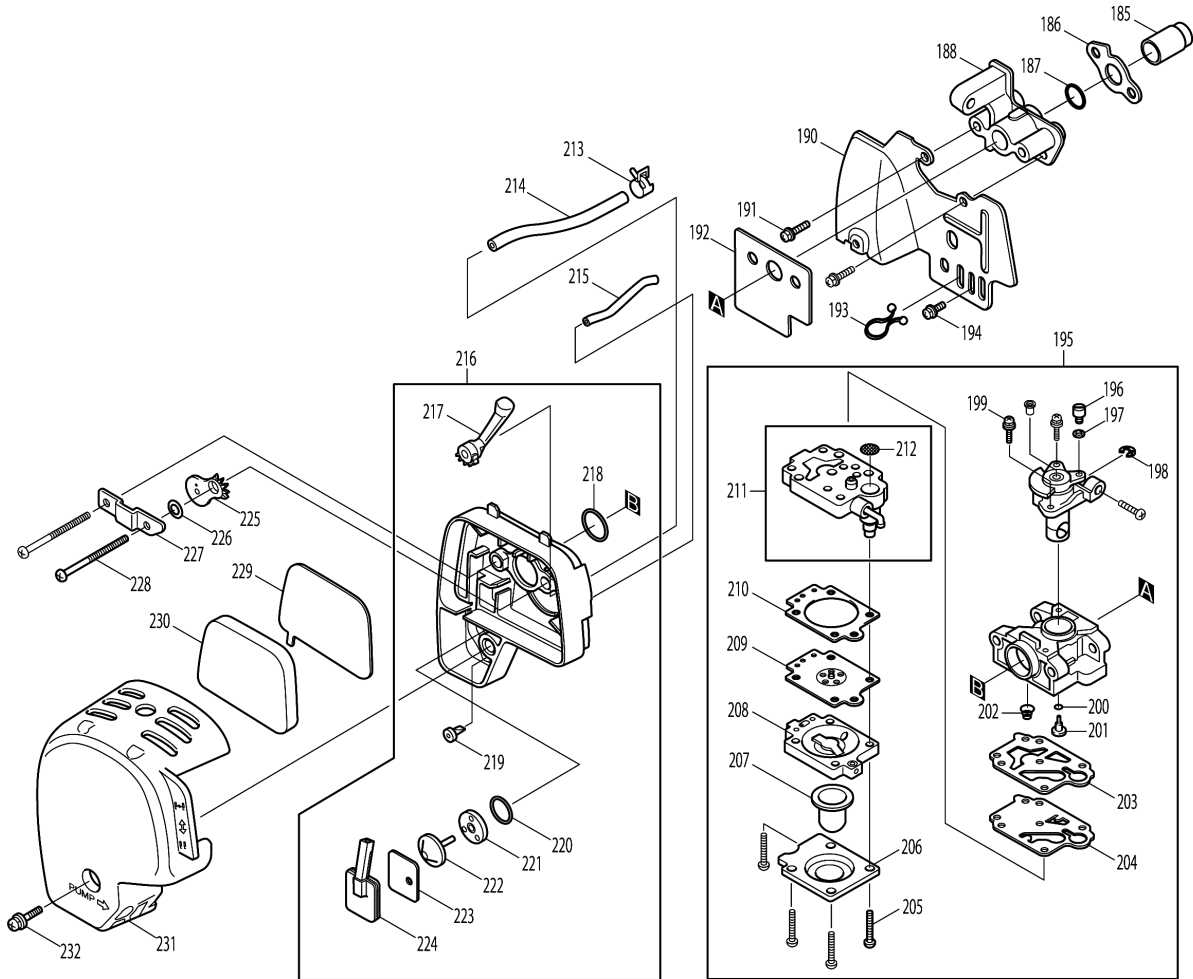
74



Model No.EBH341U BRUSH CUTTER



Model No.EBH341U BRUSH CUTTER



Model No.EBH341U BRUSH CUTTER

Item	Parts No.	Description	I/C	Qty	New/Old	Opt. 1	Opt. 2	Note
001	961057-5	RETAINING RING S-17		1				
002	922331-6	HEX. SOCKET HEAD BOLT M6X20		4				
003	318421-5	CLUTCH CASE		1				
004	451157-4	SPACER		1				
005	211338-0	BALL BEARINNG 6003LLU		1	*			
005-1	210126-2	BALL BEARING 6003LLU	O	1				
006	962153-2	RETAINING RING R-35		1				
007	165577-3	CLUTCH DRUM		1				
008	195144-0	STAND SET		1				
D10		INC. 9						
009	911218-7	PAN HEAD SCREW M5X14		2				
010	961151-3	RETAINING RING S-32		1				
011	424204-4	DAMPER		1				
012	318453-2	PIPE RETAINER		1				
013	922231-0	HEX. SOCKET HEAD BOLT M5X20		3				
014	318454-0	PIPE BRACKET		1				
015	922331-6	HEX. SOCKET HEAD BOLT M6X20		1				
016	922201-9	HEX. SOCKET HEAD BOLT M5X8		1				
017	443146-3	FELT RING 8		1				
018	922341-3	HEX. SOCKET HEAD BOLT M6X25		2				
019	318422-3	PIPE CLAMP		1				
020	318423-1	PIPE HOLDER		1				
021	233202-5	COMPRESSION SPRING 20		1				
022	318424-9	HANDLE HOLDER		1				
023	318425-7	HANDLE CLAMP		1				
024A	168524-3	KNOB 57		1	*			
024-1A	168796-0	KNOB 57	<	1				
024-1B	168796-0	KNOB 57		1				
025	922256-4	HEX. SOCKET HEAD BOLT M5X35		1				
026	266326-2	TAPPING SCREW 4X18		1				
027A	451088-7	GRIP L		1	*			
027-1A	188660-9	GRIP SET	S	1				
D10		INC. 28						
027-1B	188660-9	GRIP SET		1				
D10		INC. 28						
028A	451089-5	GRIP R		1	*			
028-1A	188660-9	GRIP SET	S	1				
D10		INC. 27						
028-1B	188660-9	GRIP SET		1				
D10		INC. 27						

Please order the parts with part number.

Print Date 27/3/2020

Model No.EBH341U BRUSH CUTTER

Item	Parts No.	Description	I/C	Qty	New/Old	Opt. 1	Opt. 2	Note
029	331863-6	HANDLE 22		1				
031	922256-4	HEX. SOCKET HEAD BOLT M5X35		1				
032	451525-1	WIRE CLAMP		2				
033	325675-7	SHAFT		1				
034	810500-0	CAUTION LABEL		1				
035A	816551-1	SERIAL NO. LABEL		1	*			
035-1A	819760-1	DATE CODE LABEL	<	1	*			
035-2A	814A82-0	DATE CODE LABEL	X	1	*			
035-3A	801D19-4	SERIAL NO. LABEL	<	1				
035-3B	801D19-4	SERIAL NO. LABEL		1				
036	140042-3	SHAFT PIPE COMPLETE		1				
041	125558-9	HANGER ASSEMBLY		1				
D10		INC. 45						
045	922233-6	H.S.H.BOLT M5X20 WITH WR		1	*			
045-1	922232-8	HEX. SOCKET HEAD BOLT M5X20	<	1				
047A	451091-8	PROTECTOR		1	*			
047-1A	452259-9	PROTECTOR	S	1				
047-1B	452259-9	PROTECTOR		1				
048	266326-2	TAPPING SCREW 4X18		1				
049	346074-0	CUTTER		1				
050A	135361-0	PROTECTOR EXTENSION ASSY		1	*			
D10		INC. 48,49			*			
050-1A	135398-7	PROTECTOR EXTENSION ASSY	S	1				
D10		INC. 48,49						
050-1B	135398-7	PROTECTOR EXTENSION ASSY		1				
D10		INC. 48,49						
051	346072-4	PROTECTOR CLAMP		1				
052	451090-0	PROTECTOR COVER		1				
053A	922353-6	HEX.SOCKET HEAD BOLT M6X30		2	*			
053-1A	266579-3	HEX SOCKET HEAD BOLT M6X30	<	2				
053-1B	266579-3	HEX SOCKET HEAD BOLT M6X30		2				
054	922218-2	H.S.H.BOLT M5X14 WITH WR		2				
055A	125557-1	GEAR CASE ASSEMBLY		1	*			
D10		INC. 57-64,68-73			*			
055-1A	126260-7	GEAR CASE ASSEMBLY	O	1	*			
C10	213459-4	O RING 32		1	*			
D10		INC. 57-64,68-73			*			
055-2A	126310-8	GEAR CASE ASSEMBLY	O	1	*			
C10	213459-4	O RING 32		1	*			

Model No.EBH341U BRUSH CUTTER

Item	Parts No.	Description	I/C	Qty	New/Old	Opt. 1	Opt. 2	Note
D10		INC. 57-64,68-73			*			
055-2B	126310-8	GEAR CASE ASSEMBLY		1	*			
C10	213459-4	O RING 32		1	*			
D10		INC. 57-64,68-73			*			
055-3	123835-3	GEAR CASE ASSEMBLY	S	1				
D10		INC. 57-64,68-73						
057A	188865-1	CUTTER SHAFT SET		1	*			
057-1A	187644-4	CUTTER SHAFT SET	O	1	*			
057-1B	187644-4	CUTTER SHAFT SET		1	*			
057-2	183K07-8	CUTTER SHAFT SET	O	1				
058	211064-1	BALL BEARING 6000		1	*			
058-1	210161-0	BALL BEARING 6000	>	1				
059	211062-5	BALL BEARING 6000ZZ		1	*			
059-1	210160-2	BALL BEARING 6000ZZ	>	1				
060	961006-2	RETAINING RING S-10		1	*			
060-1	257408-1	RETAINING RING(EXT) S-10	O	1				
061	962105-3	RETAINING RING R-26		1	*			
061-1	257988-7	RETAINING RING (INT) R-26	O	1				
062	922353-6	HEX.SOCKET HEAD BOLT M6X30		1				
063	265590-2	+HEX.BOLT M8X10 WITH R		1				
064	210081-8	BALL BEARING 629ZZ		1	*			
064-1	210159-7	BALL BEARING 629ZZ	>	1				
068	210116-5	BALL BEARING 6201LLU		1				
069	962151-6	RETAINING RING R-32		1	*			
069-1	257409-9	RETAINING RING(INT) R-32	O	1				
070A	331860-2	RECEIVE WASHER		1	*			
070-1A	332114-0	RECEIVE WASHER	<	1	*			
070-1B	332114-0	RECEIVE WASHER		1	*			
070-2	326823-1	RECEIVE WASHER	O	1				
071A	346084-7	CLAMP WASHER		1	*			
071-1A	346355-2	CLAMP WASHER	<	1				
071-1B	346355-2	CLAMP WASHER		1				
072	168526-9	CUP		1				
073	264025-0	HEX. NUT M10-17		1				
074	125545-8	CONTROL LEVER ASSEMBLY		1				
D10		INC. 75-88,233						
075A	451086-1	LEVER CASE L		1	*			
075-1A	188657-8	LEVER CASE SET	S	1	*			
D10		INC. 87			*			
075-1B	188657-8	LEVER CASE SET		1	*			
D10		INC. 87			*			
075-2	183A09-4	LEVER CASE SET	S	1				

Please order the parts with part number.

Print Date 27/3/2020

Model No.EBH341U BRUSH CUTTER

Item	Parts No.	Description	I/C	Qty	New/Old	Opt. 1	Opt. 2	Note
D10		INC. 87						
076	233540-5	TORSION SPRING 11		1				
077	451084-5	THROTTLE LEVER		1				
078	233541-3	TORSION SPRING 7		1				
079	451083-7	LOCK OFF LEVER		1				
080	451213-0	CORRUGATE TUBE		1				
081	168539-0	CONTROL CABLE		1				
082	451081-1	CABLE HOLDER		1				
083	451082-9	SWITCH LEVER		1				
084	232251-9	LEAF SPRING		1				
085	451085-3	SWITCH COVER		1	*			
085-1	455722-1	SWITCH COVER	S	1				
086	638663-8	LEAD UNIT		1				
087A	451087-9	LEVER CASE R		1	*			
087-1A	188657-8	LEVER CASE SET	S	1	*			
D10		INC. 75			*			
087-1B	188657-8	LEVER CASE SET		1	*			
D10		INC. 75			*			
087-2	183A09-4	LEVER CASE SET	S	1				
D10		INC. 75						
088	266326-2	TAPPING SCREW 4X18		3				
089	318614-4	BLOWER HOUSING		1				
090	922223-9	H.S.H.BOLT M5X16 WITH WR		4				
093A	267424-5	FLAT WASHER 8		2	*			
093-1A	253762-1	FLAT WASHER 8	O	2				
093-1B	253762-1	FLAT WASHER 8		2				
094	267832-0	WAVE WASHER 10		2				
095	266571-9	SHOULDER HEX. BOLT M8X23		2				
096	168563-3	CLUTCH SHOE		2	*			
096-1	125757-3	CLUTCH ASSEMBLY	S	1				
C10	AN04002000	CLUTCH SHOE		2				
D10		INC. 97						
097	231863-5	TENSION SPRING 9		1	*			
097-1	AN02010000	TENSION SPRING 9	S	1	*			
097-2	AN02010C00	TENSION SPRING 9	O	1				
098	265577-4	HEX HEAD BOLT M6X16		1				
099	318611-0	FLYWHEEL		1	*			
099-1	319035-3	FLYWHEEL	O	1				
100	168501-5	IGNITION COIL		1	*			
100-1	168816-0	IGNITION COIL	S	1				
101	922138-0	H.S.H.BOLT M4X20 WITH WR		2				
102	324891-8	PLUG CAP SPRING		1				

Please order the parts with part number.

Print Date 27/3/2020

Model No.EBH341U BRUSH CUTTER

Item	Parts No.	Description	I/C	Qty	New/Old	Opt. 1	Opt. 2	Note
103	424105-6	PLUG CAP		1				
104	638664-6	LEAD UNIT		1	*			
104-1	632E38-3	LEAD UNIT	S	1				
105	638665-4	LEAD UNIT		1	*			
105-1	632E39-1	LEAD UNIT	S	1				
106	424313-9	GROMMET		1				
107	345963-6	CLAMP		1				
108	819312-8	MAKITA LOGO LABEL		1				
109A	451876-2	PLUG COVER		1	*			
109-1A	451876-2	PLUG COVER	O	1				
109-1B	451876-2	PLUG COVER		1				
110	266572-7	+ TRUSS HEAD SCREW M5X8		1				
111A	808633-3	4STROKE INDICATION LABEL		1	*			
112A	265187-7	PAN HEAD SCREW M5X12		3	*			
112-1A	911213-7	PAN HEAD SCREW M5X12	O	3				
112-1B	911213-7	PAN HEAD SCREW M5X12		3				
113	451875-4	CYLINDER COVER		1				
114	266440-4	HEX SOCKET HEAD BOLT M5X40		2				
115	265184-3	+TRUSS HEAD SCREW M5X5		1				
116	345915-7	MUFFLER COVER		1				
117	168469-5	EXHAUST MUFFLER		1				
118	345916-5	MUFFLER GASKET		1				
119	324980-9	SPARK ARRESTER		1				
120A	266495-9	HEX.SOCKET HEAD BOLT M5X14		4	*			
120-1A	922217-4	HEX. SOCKET HEAD BOLT M5X14	O	4				
120-1B	922217-4	HEX. SOCKET HEAD BOLT M5X14		4				
121	140419-2	ROCKER COVER COMPLETE		1				
122	162307-3	ROCKER COVER GASKET		1				
123	168534-0	SPARK PLUG		1				
124	162274-2	CAM GEAR COVER GASKET		1				
125	318443-5	CAM GEAR COVER		1				
126	922212-4	HEX. SOCKET HEAD BOLT M5X12		3				
127	450565-6	OIL GAUGE		1				
128	424100-6	GASKET		1				
129	282020-8	HOSE CLAMP		1				
130	424202-8	OIL TUBE		1				
131	325666-8	OIL WEIGHT		1				
132	162308-1	CASE GASKET		1				
133	318612-8	OIL CASE		1				
134A	266495-9	HEX.SOCKET HEAD BOLT M5X14		4	*			

Please order the parts with part number.

Print Date 27/3/2020

Model No.EBH341U BRUSH CUTTER

Item	Parts No.	Description	I/C	Qty	New/Old	Opt. 1	Opt. 2	Note
134-1A	922217-4	HEX. SOCKET HEAD BOLT M5X14	O	4				
134-1B	922217-4	HEX. SOCKET HEAD BOLT M5X14		4				
135	266573-5	HEX. SOCKET HEAD BOLT M5X33		4				
136A	266570-1	HEX. SOCKET HEAD BOLT M5X16		4	*			
136-1A	922222-1	HEX. SOCKET HEAD BOLT M5X16	O	4				
136-1B	922222-1	HEX. SOCKET HEAD BOLT M5X16		4				
137A	266569-6	HEX. SOCKET HEAD BOLT M4X10		1	*			
137-1A	922112-8	HEX. SOCKET HEAD BOLT M4X10	O	1				
137-1B	922112-8	HEX. SOCKET HEAD BOLT M4X10		1				
138	318440-1	RETAINER PLATE		1				
139	346083-9	LEAD VALVE		1				
140	424201-0	CHECK VALVE		2				
141	135373-3	CYLINDER BLOCK ASSEMBLY		1				
D10		INC. 135,136,140,147						
142	125554-7	ROCKER ARM ASSEMBLY		2				
143	325912-9	SPRING RETAINER		2				
144A	234181-0	COMPRESSION SPRING 11		2	*			
144-1A	234181-0	COMPRESSION SPRING 11	O	2				
144-1B	234181-0	COMPRESSION SPRING 11		2				
145	256200-2	PIN 5		1				
146	256866-8	ROD 2.5		2				
147	424200-2	SPACER		2				
148	268239-3	PIN 4		1				
149	313169-4	CAM LIFTER		2				
150	325913-7	EXHAUST VALVE		1				
151	325914-5	INTAKE VALVE		1				
152	125552-1	CAM GEAR ASSEMBLY		1				
153	268238-5	PIN 5		1				
154	195141-6	PISTON RING SET		1				
155	318613-6	PISTON		1	*			
155-1	197454-1	PISTON SET	<	1				
C10	318613-6	PISTON		1				
D10		INC. 154,157						
156	257796-6	PISTON PIN		1				
157	233983-1	CLIP		2				
158	254040-2	WOODRUFF KEY 3		1				
159	213537-0	OIL SEAL 12		1				
160	267425-3	FLAT WASHER 26		1				

Model No.EBH341U BRUSH CUTTER

Item	Parts No.	Description	I/C	Qty	New/Old	Opt. 1	Opt. 2	Note
161A	125756-5	CRANKSHAFT ASSEMBLY		1	*			
161-1A	125756-5	CRANKSHAFT ASSEMBLY	O	1				
161-1B	125756-5	CRANKSHAFT ASSEMBLY		1				
162	213148-1	OIL SEAL 10		1	*			
162-1	213769-9	OIL SEAL 10	<	1				
163	125472-9	FUEL TANK CAP ASSEMBLY		1	*			
D10		INC. 164,165			*			
163-1	127108-6	FUEL TANK CAP ASSEMBLY	O	1				
D10		INC. 164,165						
164	140435-4	FUEL TANK CAP		1	*			
164-1	127109-4	FUEL TANK CAP ASSEMBLY	O	1				
165	140436-2	STRAP COMPLETE		1				
166	810455-9	CAUTION PLATE		1				
167	424104-8	DAMPER		1				
168	451877-0	FUEL TANK		1				
169	163447-0	FUEL FILTER		1	*			
169-1	163447-0	FUEL FILTER	O	1				
170	345920-4	HOSE CLAMP		1				
171	424103-0	PLATE		1				
172	424102-2	PLATE		1				
173	162309-9	TUBE		1				
174	195142-4	RECOIL STARTER SET		1	*			
D10		INC. 175-180			*			
174-1	126475-6	STARTER COVER ASSEMBLY	<	1				
D10		INC. 175-180						
175	165606-2	PULLEY		1	*			
175-1	168827-5	PULLEY	O	1				
176	266580-8	TAPPING SCREW 5X10		1				
177	451923-9	REEL		1				
178	232257-7	SPIRAL SPRING		1				
179	424317-1	STARTER KNOB		1				
180	444018-5	STARTER ROPE		1				
181	911218-7	PAN HEAD SCREW M5X14		4				
182	816448-4	EBH341U MODEL NO. LABEL		1				
183	162310-4	TANK GUARD		1				
184A	911218-7	PAN HEAD SCREW M5X14		4	*			
184-1A	266809-2	P.H.SCREW M5X14 WITH WR	<	4				
184-1B	266809-2	P.H.SCREW M5X14 WITH WR		4				
185	325915-3	INTAKE PIPE		1				
186	413120-5	INSULATOR GASKET		1				
187	213078-6	O-RING 10		1	*			
187-1	213063-9	O RING 10	<	1				

Model No.EBH341U BRUSH CUTTER

Item	Parts No.	Description	I/C	Qty	New/Old	Opt. 1	Opt. 2	Note
188	451874-6	INSULATOR		1				
190	346261-1	CARBURETOR INSULATOR		1				
191	922228-9	H.S.H.BOLT M5X18 WITH WR		2				
192	413138-6	CARBURETOR GASKET		1				
193	450562-2	CLAMP		1				
194	922213-2	H.S.H.BOLT M5X12 WITH WR		1				
195	168561-7	CARBURETOR		1	*			
D10		INC. 196-211			*			
195-1	168561-7	CARBURETOR	<	1				
D10		INC. 196-211						
196	325922-6	SWIVEL		1				
197	413140-9	WASHER		1				
198	257964-1	STOP RING E-3		1				
199	266581-6	PAN HEAD SCREW M3X8 WITH W		2	*			
199-1	WJ00096364	SCREW M3X8 WITH WASHER	O	2				
200	213538-8	O RING 2		1				
201	325921-8	JET		1	*			
201-1	5926007011	JET #36.5	<	1				
202	234183-6	CONICAL COMPRESSION SPRING 5-9		1				
203	442155-9	PUMP GASKET		1				
204	168575-6	PUMP DIAPHRAGM		1	*			
204-1	WJ00009599	PUMP DIAPHRAGM	O	1				
205	266582-4	TAPPING SCREW 3X24		4				
206	346270-0	PRIMER PUMP COVER		1				
207	424314-7	PRIMER PUMP		1				
208	140438-8	AIR PURGE BODY		1				
209	168574-8	METERING DIAPHRAGM		1	*			
209-1	WJ00963279	SCREW	O	1	*			
209-2	WJ00095586	DIAPHRAGM ASS'Y	X	1	*			
209-3	168620-7	METERING DIAPHRAGM	<	1				
210	442154-1	METERING DIAPHRAGM GASKET		1				
211	140437-0	PUMP BODY		1				
D10		INC. 212						
212	352010-6	INLET SCREEN		1	*			
212-1	WJ00014070	INLET SCREEN	O	1				
213	345918-1	HOSE CLAMP		1				
214	422055-9	BREATHING PIPE		1				
215	422042-8	PIPE		1				
216	125468-0	CLEANER PLATE ASSEMBLY		1				
C10	140814-6	AIR CLEANER PLATE COMPLETE		1				

Model No.EBH341U BRUSH CUTTER

Item	Parts No.	Description	I/C	Qty	New/Old	Opt. 1	Opt. 2	Note
C10	140814-6	AIR CLEANER PLATE COMPLETE		1				
D10		INC. 217-224						
217	451925-5	CHOKE LEVER		1				
218	213540-1	O RING 15		1				
219	424316-3	CHECK VALVE		1				
220	213539-6	O RING 14		1				
221	451924-7	CHECK VALVE PLATE		1				
222	424315-5	CHECK VALVE		1				
223	168577-2	SEPARATOR GASKET		1				
224	168576-4	SEPARATOR PLATE		1				
225	450560-6	CHOKE PLATE		1				
226	423376-2	GASKET		1				
227	345919-9	PLATE		1				
228	265188-5	+PAN HEAD SCREW M5X68		2				
229	443140-5	AIR CLEANER ELEMENT		1				
230	443141-3	AIR CLEANER ELEMENT		1				
231	450561-4	AIR CLEANER COVER		1				
232	911218-7	PAN HEAD SCREW M5X14		1				
233	638671-9	LEAD UNIT		1				
234A	413143-3	WASHER		2				
234B	413143-3	WASHER		2				
235	922353-6	HEX.SOCKET HEAD BOLT M6X30	S	1				
A01A	122855-4	BAND ASSEMBLY		1	*			
A01-1A	122906-3	BAND ASSY	O	1				
C10	140400-3	HOOK COMPLETE		1				
A01-1B	122906-3	BAND ASSY		1				
C10	140400-3	HOOK COMPLETE		1				
A02A	168578-0	HOOK		1	*			
A03A	242072-1	OIL BOTTLE		1	*			
A04	783013-3	BOX DRIVER 16-17		1				
A05A	783217-7	HEX. WRENCH 5		1	*			
A05-1A	783232-1	HEX. WRENCH 5	O	1	*			
A05-2A	783217-7	HEX. WRENCH 5	O	1				
A05-2B	783217-7	HEX. WRENCH 5		1				
A06A	783223-2	HEX. WRENCH 4		1	*			
A06-1A	783202-0	HEX. WRENCH 4	O	1				
A06-1B	783202-0	HEX. WRENCH 4		1				
A07	831304-7	ACCESSORY BAG		1				
A08	451252-0	TOOL COVER		1				
A11A	195501-2	OIL SET		1	*			
A11B	195501-2	OIL SET		1	*			

Model No.EBH341U BRUSH CUTTER

Item	Parts No.	Description	I/C	Qty	New/Old	Opt. 1	Opt. 2	Note
A11-1	197008-4	OIL SET	O	1	*			
A11-2	191A19-7	OIL SET	O	1	*			
A11-3	197008-4	OIL SET	O	1				
A12B	196242-3	CUTTER 200 SET		1				
A13B	318942-7	PROTECTOR 200		1				
A14B	332051-8	RECEIVE WASHER		1				
A15B	450573-7	TOOL COVER		2	*			
A15-1B	456924-2	TOOL COVER	O	1				
A16B	196324-1	TRIMMER HEAD ASSEMBLY 100-M10L		1	*			
A16-1B	196324-1	TRIMMER HEAD ASSEMBLY 100-M10L	O	1				
E02A	819430-2	CAUTION TAG		1				
E02B	819430-2	CAUTION TAG		1				

Please order the parts with part number.

Print Date 27/3/2020