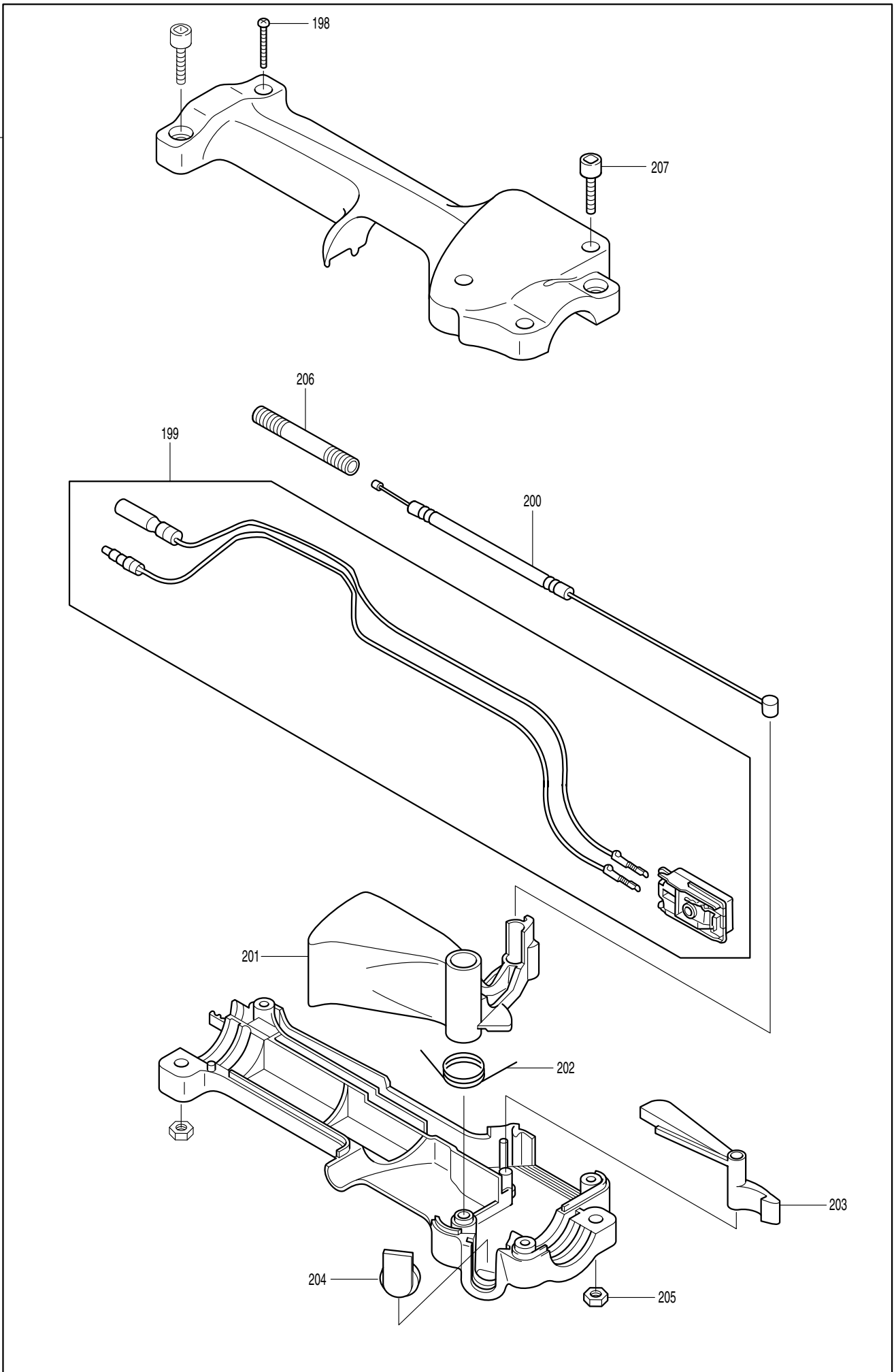
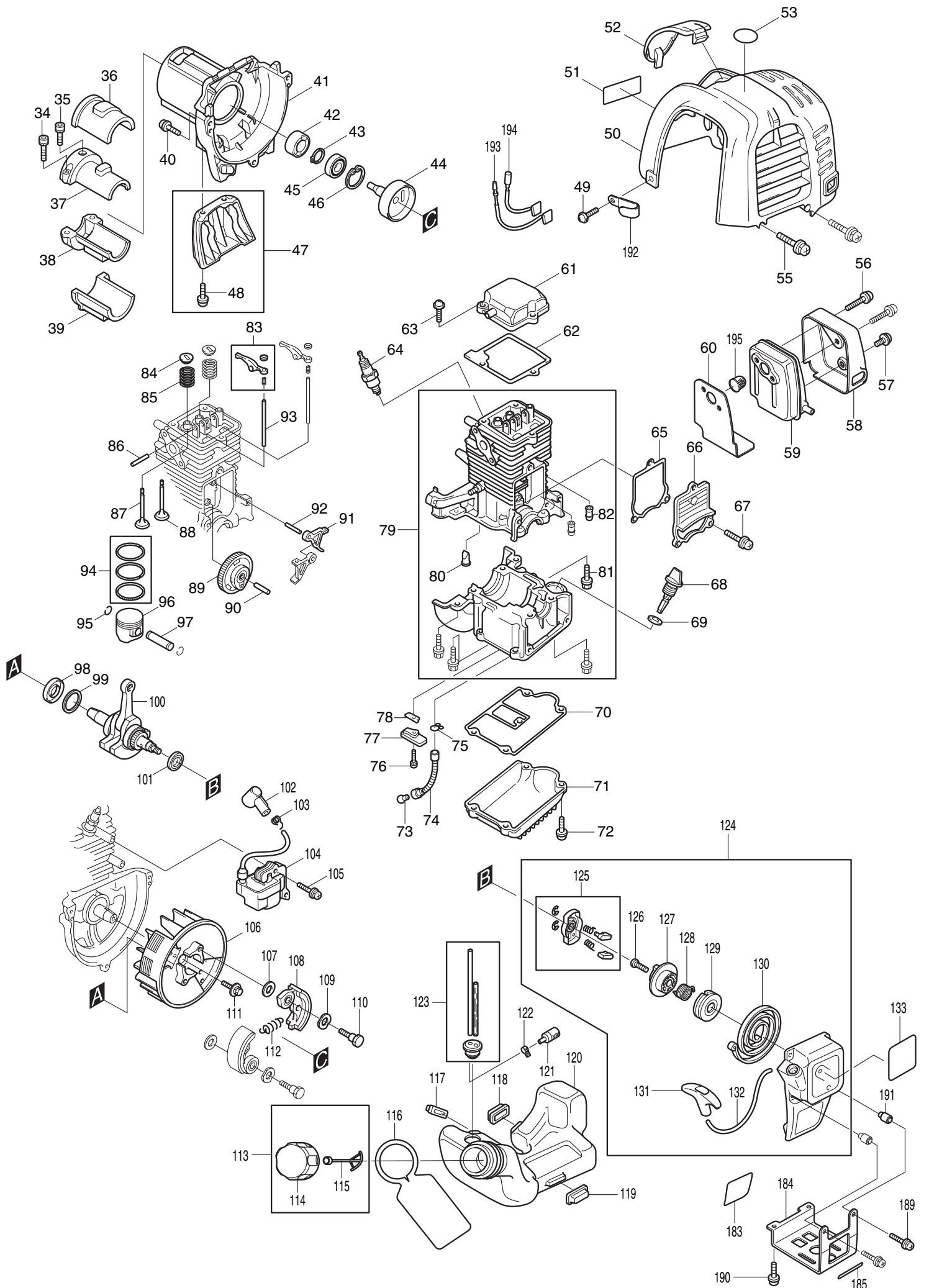
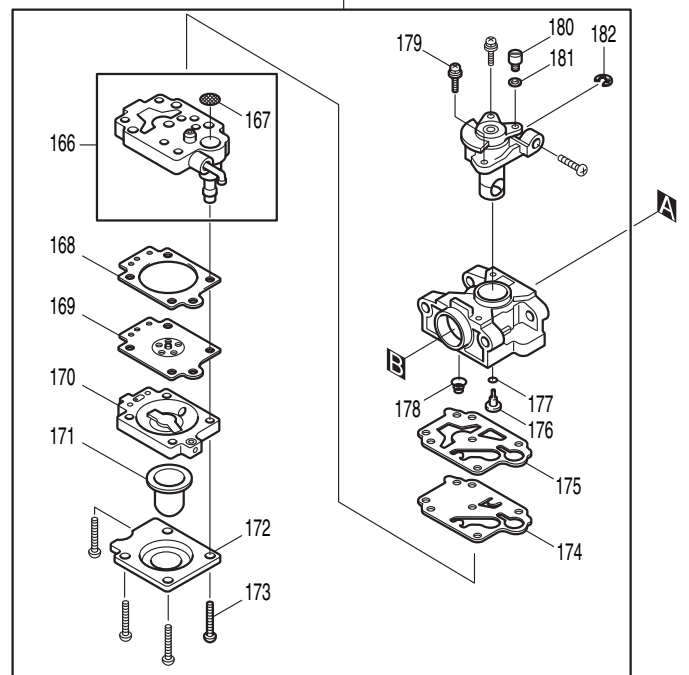
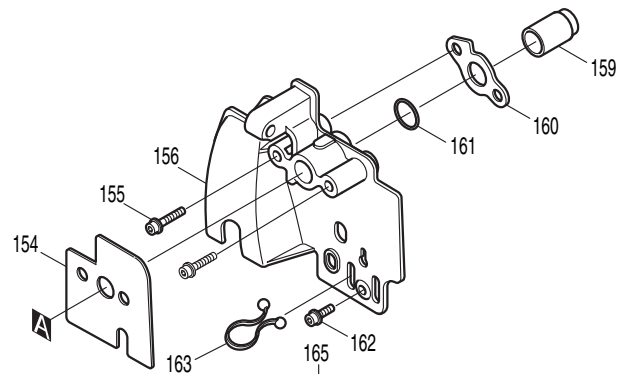
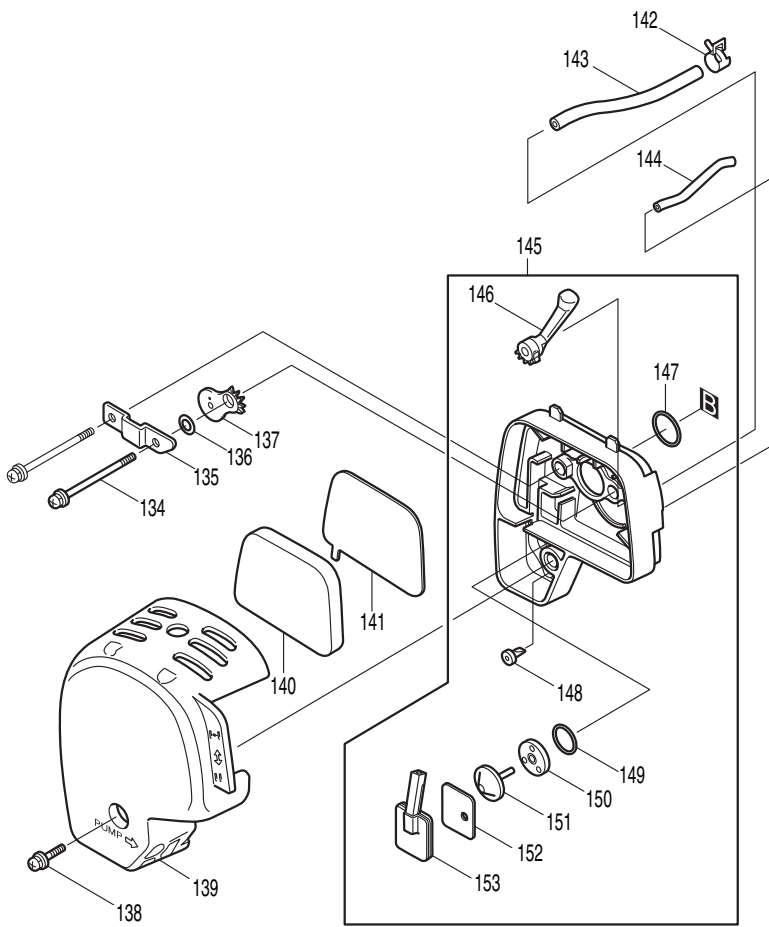


3







Part List FOR EBH253L

POS NO	PART NO	DESCRIPTION	USED QTY
1	125567-8	HANDLE ASSEMBLY	1
001-1	195215-3	LOOP HANDLE SET	1
001-1	D10	INC. 224-226	0
001-2	195215-3	LOOP HANDLE SET	1
001-2	C10	+ SCREW DRIVER 2	1
001-2	D10	INC. 224-226	0
2	450659-7	SPACER	1
002-1	451601-1	SPACER 24	1
3	125495-7	CONTROL LEVER ASSEMBLY	1
003-1	125759-9	CONTROL LEVER ASSEMBLY	1
003-1	D10	INC. 208-223	0
003-2	126487-9	CONTROL LEVER ASSEMBLY	1
003-2	D10	INC. 208-223	0
4	195143-2	HANGER SET	1
4	D10	INC. 5	0
5	911233-1	PAN HEAD SCREW M5X20	1
6	140041-5	SHAFT PIPE COMPLETE	1
7	810537-7	CAUTION LABEL	1
8	806904-2	SERIAL NO. LABEL	1
008-1	819760-1	DATE CODE LABEL	1
008-2	814A82-0	DATE CODE LABEL	1
008-3	801D19-4	SERIAL NO. LABEL	1
9	324893-4	SHAFT	1
10	922218-2	H.S.H.BOLT M5X14 WITH WR	2
11	125556-3	GEAR CASE ASSEMBLY	1
11	D10	INC. 14-20,23-28	0
14	210049-4	BALL BEARING 609ZZ	1
15	961005-4	RETAINING RING S-9	1
16	962103-7	RETAINING RING R-24	1
17	922241-7	HEX. SOCKET HEAD BOLT M5X25	1
18	265590-2	+HEX.BOLT M8X10 WITH R	1
19	211019-6	BALL BEARING 626	1
20	188866-9	CUTTER SHAFT SET	1
020-1	188902-1	CUTTER SHAFT SET	1
020-2	183A00-2	CUTTER SHAFT SET	1
23	210115-7	BALL BEARING 6001LLU	1
24	962106-1	RETAINING RING R-28	1
25	331861-0	RECEIVE WASHER	1
26	346084-7	CLAMP WASHER	1
27	168526-9	CUP	1
28	264025-0	HEX. NUT M10-17	1
29	451098-4	PROTECTOR	1
029-1	452260-4	PROTECTOR	1
30	451097-6	PROTECTOR COVER	1
31	922353-6	HEX.SOCKET HEAD BOLT M6X30	2
031-1	266579-3	HEX SOCKET HEAD BOLT M6X30	2
32	346073-2	PROTECTOR CLAMP	1
33	266326-2	TAPPING SCREW 4X18	1
34	922226-3	HEX. SOCKET HEAD BOLT M5X18	2
35	922211-6	HEX. SOCKET HEAD BOLT M5X12	1
36	424191-7	PIPE DAMPER 1	1
37	318270-0	PIPE BRACKET 1	1
38	318271-8	PIPE BRACKET 2	1
39	424107-2	PIPE DAMPER 2	1
40	265191-6	PAN HEAD SCREW M5X18	3
040-1	922222-1	HEX. SOCKET HEAD BOLT M5X16	3
41	318329-3	CLUTCH CASE	1
42	450569-8	SPACER	1
042-1	450569-8	SPACER	1
43	961052-5	RETAINING RING S-12	1
44	168475-0	CLUTCH DRUM	1
044-1	168809-7	CLUTCH DRUM	1
45	210111-5	BALL BEARING 6201LLU	1
045-1	210111-5	BALL BEARING 6201LLU	1
46	962151-6	RETAINING RING R-32	1
47	195144-0	STAND SET	1
47	D10	INC. 48	0
48	911218-7	PAN HEAD SCREW M5X14	2
49	265187-7	PAN HEAD SCREW M5X12	2
049-1	911213-7	PAN HEAD SCREW M5X12	2

Part List FOR EBH253L

POS NO	PART NO	DESCRIPTION	USED QTY
50	450654-7	CYLINDER COVER	1
51	819312-8	MAKITA LOGO LABEL	1
52	450568-0	PLUG COVER	1
052-1	452144-6	PLUG COVER	1
53	808633-3	4STROKE INDICATION LABEL	1
55	265189-3	PAN HEAD SCREW M4X16	2
055-1	911128-8	PAN HEAD SCREW M4X16	2
56	266440-4	HEX SOCKET HEAD BOLT M5X40	2
57	265184-3	+TRUSS HEAD SCREW M5X5	1
58	345915-7	MUFFLER COVER	1
59	168469-5	EXHAUST MUFFLER	1
60	345916-5	MUFFLER GASKET	1
61	140023-7	ROCKER COVER COMPLETE	1
62	162275-0	ROCKER COVER GASKET	1
63	266494-1	+ PAN HEAD SCREW M5X16	3
063-1	922223-9	H.S.H.BOLT M5X16 WITH WR	3
64	168534-0	SPARK PLUG	1
65	162274-2	CAM GEAR COVER GASKET	1
66	318443-5	CAM GEAR COVER	1
67	911218-7	PAN HEAD SCREW M5X14	3
067-1	266495-9	HEX.SOCKET HEAD BOLT M5X14	3
067-2	922217-4	HEX. SOCKET HEAD BOLT M5X14	3
68	450565-6	OIL GAUGE	1
69	424100-6	GASKET	1
70	162276-8	CASE GASKET	1
71	318442-7	OIL CASE	1
72	265186-9	PAN HEAD SCREW M5X18	4
072-1	266495-9	HEX.SOCKET HEAD BOLT M5X14	4
072-2	922217-4	HEX. SOCKET HEAD BOLT M5X14	4
73	325666-8	OIL WEIGHT	1
74	424202-8	OIL TUBE	1
75	282020-8	HOSE CLAMP	1
76	266493-3	HEX.SOCKET HEAD BOLT M4X10	1
076-1	922111-0	HEX. SOCKET HEAD BOLT M4X10	1
076-2	922112-8	HEX. SOCKET HEAD BOLT M4X10	1
77	318440-1	RETAINER PLATE	1
78	346083-9	LEAD VALVE	1
79	135375-9	CYLINDER BLOCK ASSEMBLY	1
79	D10	INC. 80-82	0
80	424201-0	CHECK VALVE	2
81	266495-9	HEX.SOCKET HEAD BOLT M5X14	8
081-1	922217-4	HEX. SOCKET HEAD BOLT M5X14	8
82	424200-2	SPACER	2
83	125554-7	ROCKER ARM ASSEMBLY	2
84	325668-4	SPRING RETAINER	2
85	234108-0	COMPRESSION SPRING 9	2
86	256200-2	PIN 5	1
87	325670-7	INTAKE VALVE	1
087-1	326367-1	INTAKE VALVE	1
88	325669-2	EXHAUST VALVE	1
088-1	326366-3	EXHAUST VALVE	1
89	125552-1	CAM GEAR ASSEMBLY	1
90	268238-5	PIN 5	1
91	313169-4	CAM LIFTER	2
92	268239-3	PIN 4	1
93	256865-0	ROD 2.5	2
94	195145-8	PISTON RING SET	1
094-1	196595-0	PISTON RING SET	1
95	233976-8	CLIP	2
96	318441-9	PISTON	1
97	257781-9	PISTON PIN	1
98	213147-3	OIL SEAL 12	1
99	267400-9	FLAT WASHER 23	1
100	135374-1	CRANKSHAFT ASSEMBLY	1
100-1	135539-5	CRANKSHAFT ASSEMBLY	1
101	213148-1	OIL SEAL 10	1
102	424105-6	PLUG CAP	1
103	324891-8	PLUG CAP SPRING	1
104	168501-5	IGNITION COIL	1
105	911139-3	PAN HEAD SCREW M4X20 WG	2

Part List FOR EBH253L

POS NO	PART NO	DESCRIPTION	USED QTY	
105-1	922138-0	H.S.H.BOLT M4X20 WITH WR	2	
106	318343-9	FLYWHEEL	1	
107	267812-6	WASHER 6	2	
108	168498-8	CLUTCH SHOE	2	
108-1	161332-1	CLUTCH SHOE	2	
109	267817-6	WASHER 8	2	
110	266457-7	SHOULDER HEX. BOLT M6X25	2	
110-1	266864-4	SHOULDER HEX. BOLT M6X25	2	
111	265577-4	HEX HEAD BOLT M6X16	1	
112	231858-8	TENSION SPRING 6	1	
112-1	231881-3	TENSION SPRING 7	1	
113	125472-9	FUEL TANK CAP ASSEMBLY	1	
113	D10	INC. 114,115	0	
114	140435-4	FUEL TANK CAP	1	
115	140436-2	STRAP COMPLETE	1	
116	810455-9	CAUTION PLATE	1	
117	424102-2	PLATE	1	
118	424103-0	PLATE	1	
119	424104-8	DAMPER	1	
120	450566-4	FUEL TANK	1	
121	163447-0	GASOLINE FILTER	1	
122	345920-4	HOSE CLAMP	1	
123	168472-6	TUBE COMPLETE	1	
124	195147-4	RECOIL STARTER SET	1	
124	D10	INC. 125-132	0	
125	168471-8	PULLEY	1	
126	266585-8	TAPPING SCREW 5X12	1	
127	451940-9	CAM PLATE	1	
128	233984-9	DAMPER SPRING	1	
129	451939-4	REEL	1	
130	232258-5	SPIRAL SPRING	1	
131	424319-7	STARTER KNOB	1	
132	444020-8	STARTER ROPE	1	
133	809116-6	EBH253L MODEL NO. LABEL	1	
134	265188-5	+PAN HEAD SCREW M5X68	2	
135	345919-9	PLATE	1	
136	423376-2	GASKET	1	
137	450560-6	CHOKE PLATE	1	
138	911218-7	PAN HEAD SCREW M5X14	1	
139	450561-4	AIR CLEANER COVER	1	
140	443141-3	AIR CLEANER ELEMENT	1	
141	443140-5	AIR CLEANER ELEMENT	1	
142	345918-1	HOSE CLAMP	1	
143	422041-0	BREATHER PIPE	1	
144	422042-8	PIPE	1	
145	125468-0	CLEANER PLATE ASSEMBLY	1	
145	C10	140814-6	AIR CLEANER PLATE COMPLETE	1
145	D10	INC. 146-153	0	
146	451925-5	CHOKE LEVER	1	
147	213540-1	O RING 15	1	
148	424316-3	CHECK VALVE	1	
149	213539-6	O RING 14	1	
150	451924-7	CHECK VALVE PLATE	1	
151	424315-5	CHECK VALVE	1	
152	168577-2	SEPARATOR GASKET	1	
153	168576-4	SEPARATOR PLATE	1	
154	413121-3	CARBURETOR GASKET	1	
155	922228-9	H.S.H.BOLT M5X18 WITH WR	2	
156	450559-1	INSULATOR	1	
159	324961-3	INTAKE PIPE	1	
160	413120-5	INSULATOR GASKET	1	
161	213078-6	O-RING 10	1	
162	922213-2	H.S.H.BOLT M5X12 WITH WR	1	
163	450562-2	CLAMP	1	
165	168497-0	CARBURETOR	1	
165	D10	INC. 166,168-182	0	
166	140437-0	PUMP BODY	1	
166	D10	INC. 167	0	
167	352010-6	INLET SCREEN	1	
168	442154-1	METERING DIAPHRAGM GASKET	1	

Part List FOR EBH253L

POS NO	PART NO	DESCRIPTION	USED QTY
169	168574-8	METERING DIAPHRAGM	1
170	140438-8	AIR PURGE BODY	1
171	424314-7	PRIMER PUMP	1
172	346270-0	PRIMER PUMP COVER	1
173	266582-4	TAPPING SCREW 3X24	4
174	168575-6	PUMP DIAPHRAGM	1
175	442155-9	PUMP GASKET	1
176	325924-2	JET	1
177	213538-8	O RING 2	1
178	234183-6	CONICAL COMPRESSION SPRING 5-9	1
179	266581-6	PAN HEAD SCREW M3X8 WITH W	2
179-1	WJ00096364	SCREW M3X8 WITH WASHER	2
180	325922-6	SWIVEL	1
181	413140-9	WASHER	1
182	257964-1	STOP RING E-3	1
183	806902-6	GAS EMISSION APPROVAL LABEL	1
183-1	806902-6	GAS EMISSION APPROVAL LABEL	1
184	345964-4	TANK GUARD	1
185	806903-4	SERIAL NO. LABEL	1
185-1	814998-3	SERIAL LABEL	1
186	346074-0	CUTTER	1
187	135361-0	PROTECTOR EXTENSION ASSY	1
187	D10	INC. 33,186	0
187-1	135398-7	PROTECTOR EXTENSION ASSY	1
187-1	D10	INC. 33,186	0
189	911148-2	PAN HEAD SCREW M4X25	2
190	265187-7	PAN HEAD SCREW M5X12	2
190-1	911213-7	PAN HEAD SCREW M5X12	2
191	331835-1	SPACER	2
192	345963-6	CLAMP	1
193	638664-6	LEAD UNIT	1
194	638665-4	LEAD UNIT	1
195	324980-9	SPARK ARRESTER	1
196	266583-2	PAN HEAD SCREW M5X25	4
197	264037-3	HEX NUT M5	4
198	266584-0	TAPPING SCREW 4X20	4
199	638704-0	SWITCH UNIT	1
200	168579-8	CONTROL CABLE	1
201	451933-6	LONG LEVER	1
202	233568-3	TORSION SPRING	1
203	451934-4	STOP LEVER	1
204	451936-0	TOP	1
205	264038-1	HEX NUT M5	2
206	451935-2	CORRUGATE TUBE	1
207	922233-6	HEX SOCKET HEAD BOLT M5X20	2
208	233540-5	TORSION SPRING 11	1
209	233541-3	TORSION SPRING 7	1
210	266326-2	TAPPING SCREW 4X18	4
211	922218-2	H.S.H.BOLT M5X14 WITH WR	2
212	188832-6	LEVER CASE SET	1
213	346248-3	CLAMP 24	2
213-1	346248-3	CLAMP 24	2
214	266130-9	TAPPING SCREW BIND PT 3X16	1
215	168549-7	CONTROL CABLE	1
216	232251-9	LEAF SPRING	1
217	451592-6	THROTTLE LEVER	1
217-1	455313-8	THROTTLE LEVER	1
218	451593-4	LOCK LEVER	1
219	451594-2	SWITCH LEVER	1
220	451595-0	SWITCH COVER	1
221	451602-9	CORRUGATE TUBE	1
222	638676-9	LEAD UNIT	1
223	638677-7	LEAD UNIT	1
224	451598-4	LOOP HANDLE 24	1
225	451599-2	HANDLE CLAMP 24	1
226	922253-0	H.S.H.BOLT M5X30 WITH WR	4
226-1	911253-5	PAN HEAD SCREW M5X30	4
227	413143-3	WASHER	2
228	808723-2	CAUTION LABEL	1
A01	125516-5	BAND ASSEMBLY	1

Part List FOR EBH253L

POS NO	PART NO	DESCRIPTION	USED QTY
A02	242072-1	OIL BOTTLE	1
A03	783013-3	BOX DRIVER 16-17	1
A04	783217-7	HEX. WRENCH 5	1
A04-1	783232-1	HEX. WRENCH 5	1
A04-2	783217-7	HEX. WRENCH 5	1
A05	783223-2	HEX. WRENCH 4	1
A05-1	783202-0	HEX. WRENCH 4	1
A06	831304-7	ACCESSORY BAG	1
A07	B-02945	NYLON CUTTING HEAD 4Y (L.H)	1
A07-1	B-05125	ULTRA AUTO 4 M BRAND MHI	1
A10	195500-4	OIL SET	1
E02	819430-2	CAUTION TAG	1