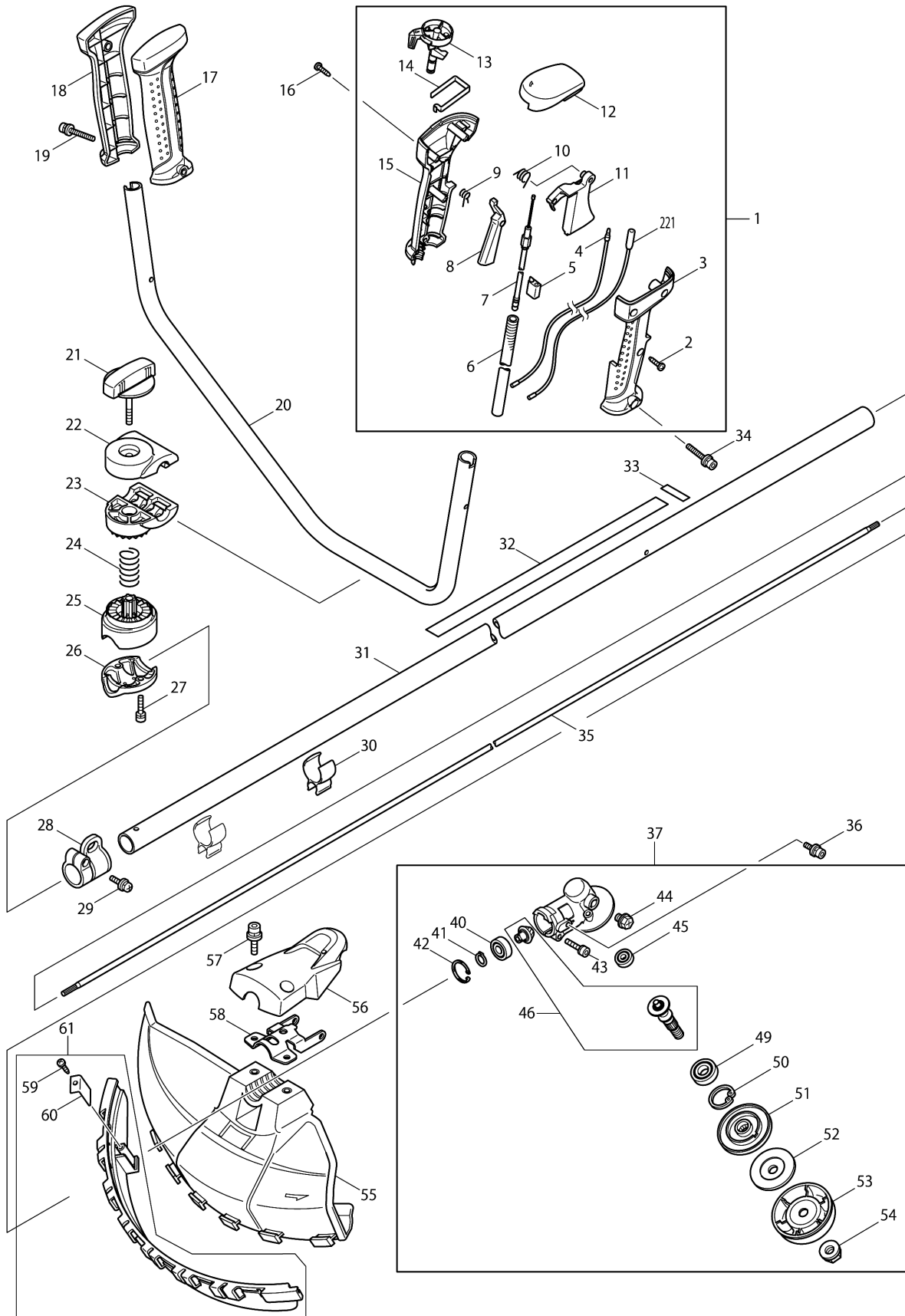
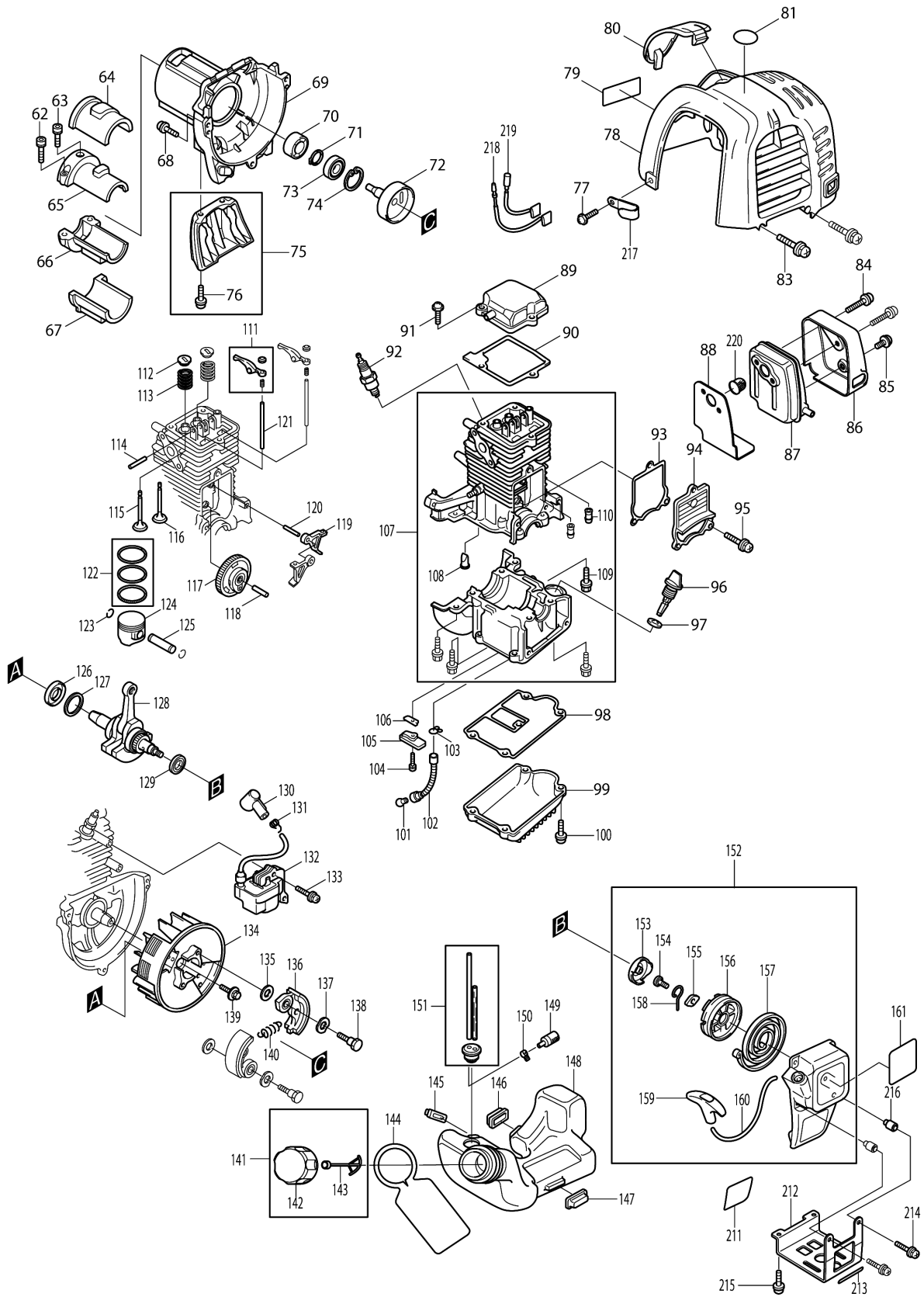


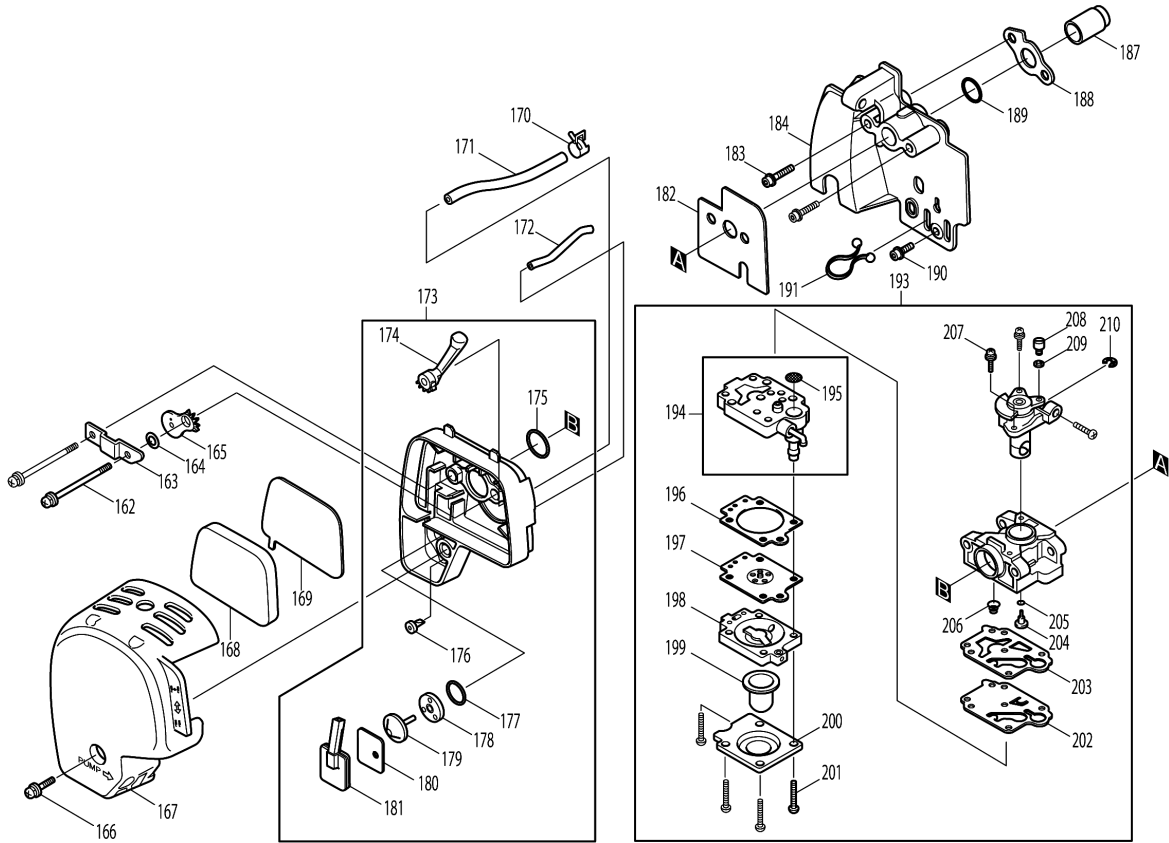
Model No.EBH252U BRUSH CUTTER



Model No.EBH252U BRUSH CUTTER



Model No.EBH252U BRUSH CUTTER



Model No.EBH252U BRUSH CUTTER

Item	Parts No.	Description	I/C	Qty	New/Old	Opt. 1	Opt. 2	Note
001	125544-0	CONTROL LEVER ASSEMBLY		1				
D10		INC. 2-15,221						
002	266326-2	TAPPING SCREW 4X18		3				
003	451094-2	LEVER CASE R		1	*			
003-1	188656-0	LEVER CASE SET	S	1	*			
D10		INC. 15			*			
003-2	183A10-9	LEVER CASE SET	S	1				
D10		INC. 15						
004	638663-8	LEAD UNIT		1				
005	451081-1	CABLE HOLDER		1				
006	451213-0	CORRUGATE TUBE		1				
007	168527-7	CONTROL CABLE		1				
008	451083-7	LOCK OFF LEVER		1				
009	233541-3	TORSION SPRING 7		1				
010	233540-5	TORSION SPRING 11		1				
011	451084-5	THROTTLE LEVER		1				
012	451085-3	SWITCH COVER		1	*			
012-1	455722-1	SWITCH COVER	S	1				
013	451082-9	SWITCH LEVER		1				
014	232251-9	LEAF SPRING		1				
015	451093-4	LEVER CASE L		1	*			
015-1	188656-0	LEVER CASE SET	S	1	*			
D10		INC. 3			*			
015-2	183A10-9	LEVER CASE SET	S	1				
D10		INC. 3						
016	266326-2	TAPPING SCREW 4X18		1				
017	451096-8	GRIP R		1	*			
017-1	188659-4	GRIP SET	S	1				
D10		INC. 18						
018	451095-0	GRIP L		1	*			
018-1	188659-4	GRIP SET	S	1				
D10		INC. 17						
019	922256-4	HEX. SOCKET HEAD BOLT M5X35		1				
020	331862-8	HANDLE 19		1				
021	168524-3	KNOB 57		1	*			
021-1	168796-0	KNOB 57	<	1				
022	318429-9	HANDLE CLAMP		1				
023	318428-1	HANDLE HOLDER		1				
024	233202-5	COMPRESSION SPRING 20		1				
025	318427-3	PIPE HOLDER		1				
026	318426-5	PIPE CLAMP		1				

Model No.EBH252U BRUSH CUTTER

Item	Parts No.	Description	I/C	Qty	New/Old	Opt. 1	Opt. 2	Note
027	922241-7	HEX. SOCKET HEAD BOLT M5X25		2				
028	195143-2	HANGER SET		1				
D10		INC. 29						
029	911233-1	PAN HEAD SCREW M5X20		1				
030	451526-9	WIRE CLAMP		2				
031	140041-5	SHAFT PIPE COMPLETE		1				
032	810536-9	CAUTION LABEL		1				
033	806904-2	SERIAL NO. LABEL		1	*			
033-1	819760-1	DATE CODE LABEL	<	1	*			
033-2	814A82-0	DATE CODE LABEL	X	1	*			
033-3	801D19-4	SERIAL NO. LABEL	<	1				
034	922256-4	HEX. SOCKET HEAD BOLT M5X35		1				
035	324893-4	SHAFT		1	*			
035-1	327056-1	SHAFT	O	1				
036	922218-2	H.S.H.BOLT M5X14 WITH WR		2	*			
036-1	922206-9	HEX. SOCKET HEAD BOLT M5X10	>	2				
037	125556-3	GEAR CASE ASSEMBLY		1	*			
D10		INC. 40-46,49-54			*			
037-1	123833-7	GEAR CASE ASSEMBLY	S	1				
D10		INC. 40-42,44-46,49-54						
040	210049-4	BALL BEARING 609ZZ		1	*			
040-1	210157-1	BALL BEARING 609ZZ	O	1				
041	961005-4	RETAINING RING S-9		1	*			
041-1	257986-1	RETAINING RING (EXT) S-9	O	1				
042	962103-7	RETAINING RING R-24		1	*			
042-1	257987-9	RETAINING RING (INT)R-24	O	1				
043	922241-7	HEX. SOCKET HEAD BOLT M5X25		1				
044	265590-2	+HEX.BOLT M8X10 WITH R		1				
045	211019-6	BALL BEARING 626		1	*			
046	188866-9	CUTTER SHAFT SET		1	*			
046-1	188902-1	CUTTER SHAFT SET	S	1	*			
046-2	183A00-2	CUTTER SHAFT SET	O	1	*			
046-3	183K10-9	CUTTER SHAFT SET	O	1				
049	210115-7	BALL BEARING 6001LLU		1				
050	962106-1	RETAINING RING R-28		1	*			
050-1	257407-3	RETAINING RING (INT)R-28	O	1				
051	331861-0	RECEIVE WASHER		1	*			
051-1	326821-5	RECEIVE WASHER	O	1				
052	346084-7	CLAMP WASHER		1				
053	168526-9	CUP		1				

Model No.EBH252U BRUSH CUTTER

Item	Parts No.	Description	I/C	Qty	New/Old	Opt. 1	Opt. 2	Note
054	264025-0	HEX. NUT M10-17		1				
055	451098-4	PROTECTOR		1	*			
055-1	452260-4	PROTECTOR	S	1				
056	451097-6	PROTECTOR COVER		1	*			
057	922353-6	HEX.SOCKET HEAD BOLT M6X30		2	*			
057-1	266579-3	HEX SOCKET HEAD BOLT M6X30	<	2	*			
057-2	266280-0	HEX. SOCKET HEAD BOLT M6X25	>	2				
058	346073-2	PROTECTOR CLAMP		1	*			
058-1	347012-5	PROTECTOR CLAMP 24	S	1				
059	266326-2	TAPPING SCREW 4X18		1				
060	346074-0	CUTTER		1	*			
060-1	347050-7	CUTTER	<	1				
061	135361-0	PROTECTOR EXTENSION ASSY		1	*			
D10		INC. 59,60			*			
061-1	135398-7	PROTECTOR EXTENSION ASSY	S	1	*			
D10		INC. 59,60			*			
061-2	135753-3	PROTECTOR EXTENSION ASSY	<	1				
D10		INC. 59,60						
062	922226-3	HEX. SOCKET HEAD BOLT M5X18		2				
063	922211-6	H.S.H.BOLT M5X12 WITH W		1				
064	424191-7	PIPE DAMPER 1		1				
065	318270-0	PIPE BRACKET 1		1				
066	318271-8	PIPE BRACKET 2		1				
067	424107-2	PIPE DAMPER 2		1				
068	265191-6	PAN HEAD SCREW M5X18		3	*			
068-1	922222-1	HEX. SOCKET HEAD BOLT M5X16	X	3				
069	318329-3	CLUTCH CASE		1				
070	450569-8	SPACER		1	*			
070-1	450569-8	SPACER	O	1				
071	961052-5	RETAINING RING S-12		1				
072	168475-0	CLUTCH DRUM		1	*			
072-1	168809-7	CLUTCH DRUM COMPLETE	O	1	*			
072-2	168809-7	CLUTCH DRUM COMPLETE	O	1				
073	210111-5	BALL BEARING 6201LLU		1	*			
073-1	210111-5	BALL BEARING 6201LLU	O	1				
074	962151-6	RETAINING RING R-32		1				
075	195144-0	STAND SET		1				
D10		INC. 76						
076	911218-7	PAN HEAD SCREW M5X14		2				

Please order the parts with part number.

Print Date 27/3/2020

Model No.EBH252U BRUSH CUTTER

Item	Parts No.	Description	I/C	Qty	New/Old	Opt. 1	Opt. 2	Note
077	265187-7	PAN HEAD SCREW M5X12		2	*			
077-1	911213-7	PAN HEAD SCREW M5X12	O	2				
078	450654-7	CYLINDER COVER		1				
079	819312-8	MAKITA LOGO LABEL		1				
080	450568-0	PLUG COVER		1	*			
080-1	452144-6	PLUG COVER	O	1				
081	808633-3	4STROKE INDICATION LABEL		1	*			
083	265189-3	PAN HEAD SCREW M4X16		2	*			
083-1	911128-8	P.H.SCREW M4X16 WITH WR	O	2				
084	266440-4	HEX SOCKET HEAD BOLT M5X40		2				
085	265184-3	+TRUSS HEAD SCREW M5X5		1				
086	345915-7	MUFFLER COVER		1				
087	168469-5	EXHAUST MUFFLER		1				
088	345916-5	MUFFLER GASKET		1				
089	140023-7	ROCKER COVER COMPLETE		1	*			
089-1	140B46-7	ROCKER COVER COMPLETE	<	1				
090	162275-0	ROCKER COVER GASKET		1				
091	266494-1	+ PAN HEAD SCREW M5X16		3	*			
091-1	922223-9	H.S.H.BOLT M5X16 WITH WR	X	3				
092	168534-0	SPARK PLUG		1				
093	162274-2	CAM GEAR COVER GASKET		1				
094	318443-5	CAM GEAR COVER		1				
095	911218-7	PAN HEAD SCREW M5X14		3	*			
095-1	266495-9	HEX.SOCKET HEAD BOLT M5X14	X	3	*			
095-2	922217-4	HEX. SOCKET HEAD BOLT M5X14	O	3				
096	450565-6	OIL GAUGE		1				
097	424100-6	GASKET		1				
098	162276-8	CASE GASKET		1				
099	318442-7	OIL CASE		1				
100	265186-9	PAN HEAD SCREW M5X18		4	*			
100-1	266495-9	HEX.SOCKET HEAD BOLT M5X14	X	4	*			
100-2	922217-4	HEX. SOCKET HEAD BOLT M5X14	O	4				
101	325666-8	OIL WEIGHT		1				
102	424202-8	OIL TUBE		1				
103	282020-8	HOSE CLAMP		1				
104	266493-3	HEX.SOCKET HEAD BOLT M4X10		1	*			
104-1	922111-0	HEX. SOCKET HEAD BOLT M4X10	O	1	*			
104-2	922112-8	HEX. SOCKET HEAD BOLT M4X10	O	1				
105	318440-1	RETAINER PLATE		1				

Please order the parts with part number.

Print Date 27/3/2020

Model No.EBH252U BRUSH CUTTER

Item	Parts No.	Description	I/C	Qty	New/Old	Opt. 1	Opt. 2	Note
106	346083-9	LEAD VALVE		1				
107	135375-9	CYLINDER BLOCK ASSEMBLY		1				
D10		INC. 108-110						
108	424201-0	CHECK VALVE		2				
109	266495-9	HEX.SOCKET HEAD BOLT M5X14		8	*			
109-1	922217-4	HEX. SOCKET HEAD BOLT M5X14	O	8				
110	424200-2	SPACER		2				
111	125554-7	ROCKER ARM ASSEMBLY		2				
112	325668-4	SPRING RETAINER		2				
113	234108-0	COMPRESSION SPRING 9		2				
114	256200-2	PIN 5		1				
115	325670-7	INTAKE VALVE		1	*			
115-1	326367-1	INTAKE VALVE	O	1				
116	325669-2	EXHAUST VALVE		1	*			
116-1	326366-3	EXHAUST VALVE	O	1				
117	125552-1	CAM GEAR ASSEMBLY		1				
118	268238-5	PIN 5		1				
119	313169-4	CAM LIFTER		2				
120	268239-3	PIN 4		1				
121	256865-0	ROD 2.5		2				
122	195145-8	PISTON RING SET		1	*			
122-1	196595-0	PISTON RING SET	O	1				
123	233976-8	CLIP		2				
124	318441-9	PISTON		1	*			
124-1	197453-3	PISTON SET	<	1				
C10	318441-9	PISTON		1				
D10		INC. 122,123						
125	257781-9	PISTON PIN		1				
126	213147-3	OIL SEAL 12		1	*			
126-1	213089-1	OIL SEAL 12	<	1				
127	267400-9	FLAT WASHER 23		1				
128	135374-1	CRANKSHAFT ASSEMBLY		1	*			
128-1	135539-5	CRANKSHAFT ASSEMBLY	O	1				
129	213148-1	OIL SEAL 10		1	*			
129-1	213769-9	OIL SEAL 10	<	1				
130	424105-6	PLUG CAP		1				
131	324891-8	PLUG CAP SPRING		1				
132	168501-5	IGNITION COIL		1	*			
132-1	168816-0	IGNITION COIL	S	1				
133	911139-3	PAN HEAD SCREW M4X20 WG		2	*			
133-1	922138-0	H.S.H.BOLT M4X20 WITH WR	X	2				

Model No.EBH252U BRUSH CUTTER

Item	Parts No.	Description	I/C	Qty	New/Old	Opt. 1	Opt. 2	Note
134	318343-9	FLYWHEEL		1	*			
134-1	319012-5	FLYWHEEL	O	1				
135	267812-6	WASHER 6		2				
136	168498-8	CLUTCH SHOE		2	*			
136-1	161332-1	CLUTCH SHOE	O	2				
137	267817-6	WASHER 8		2				
138	266457-7	SHOULDER HEX. BOLT M6X25		2	*			
138-1	266864-4	SHOULDER HEX. BOLT M6X25	O	2				
139	265577-4	HEX HEAD BOLT M6X16		1				
140	231858-8	TENSION SPRING 6		1	*			
140-1	231881-3	TENSION SPRING 7	<	1				
141	125472-9	FUEL TANK CAP ASSEMBLY		1	*			
D10		INC. 142,143			*			
141-1	127108-6	FUEL TANK CAP ASSEMBLY	O	1				
D10		INC. 142,143						
142	140435-4	FUEL TANK CAP		1	*			
142-1	127109-4	FUEL TANK CAP ASSEMBLY	O	1				
143	140436-2	STRAP COMPLETE		1				
144	810455-9	CAUTION PLATE		1				
145	424102-2	PLATE		1				
146	424103-0	PLATE		1				
147	424104-8	DAMPER		1				
148	450566-4	FUEL TANK		1				
149	163447-0	FUEL FILTER		1	*			
149-1	163447-0	FUEL FILTER	O	1				
150	345920-4	HOSE CLAMP		1				
151	168472-6	TUBE COMPLETE		1				
152	195146-6	RECOIL STARTER SET		1				
D10		INC. 153-160						
153	168483-1	PULLEY		1				
154	266585-8	TAPPING SCREW 5X12		1				
155	451938-6	COLLAR		1				
156	451937-8	REEL		1				
157	232258-5	SPIRAL SPRING		1				
158	325923-4	SWING ARM		1				
159	424319-7	STARTER KNOB		1				
160	444019-3	STARTER ROPE		1				
161	809115-8	EBH252U MODEL NO. LABEL		1				
162	265188-5	+PAN HEAD SCREW M5X68		2				
163	345919-9	PLATE		1				
164	423376-2	GASKET		1				
165	450560-6	CHOKE PLATE		1				

Please order the parts with part number.

Print Date 27/3/2020

Model No.EBH252U BRUSH CUTTER

Item	Parts No.	Description	I/C	Qty	New/Old	Opt. 1	Opt. 2	Note
166	911218-7	PAN HEAD SCREW M5X14		1				
167	450561-4	AIR CLEANER COVER		1				
168	443141-3	AIR CLEANER ELEMENT		1				
169	443140-5	AIR CLEANER ELEMENT		1				
170	345918-1	HOSE CLAMP		1				
171	422041-0	BREATHER PIPE		1				
172	422042-8	PIPE		1				
173	125468-0	CLEANER PLATE ASSEMBLY		1	*			
C10	140814-6	AIR CLEANER PLATE COMPLETE		1	*			
D10		INC. 173-181			*			
173-1	123845-0	CLEANER PLATE ASSEMBLY	O	1				
C10	140814-6	AIR CLEANER PLATE COMPLETE		1	*			
C11	455407-9	AIR CLEANER PLATE	X	1				
D10		INC. 173-181						
174	451925-5	CHOKE LEVER		1	*			
174-1	457241-3	CHOKE LEVER	X	1				
175	213540-1	O RING 15		1	*			
175-1	213094-8	O RING 15	X	1				
176	424316-3	CHECK VALVE		1	*			
176-1	424938-9	CHECK VALVE	X	1				
177	213539-6	O RING 14		1	*			
177-1	213093-0	O RING 14	X	1				
178	451924-7	CHECK VALVE PLATE		1	*			
178-1	457240-5	CHECK VALVE PLATE	X	1				
179	424315-5	CHECK VALVE		1	*			
179-1	424937-1	CHECK VALVE	X	1				
180	168577-2	SEPARATOR GASKET		1	*			
180-1	161572-1	SEPARATOR GASKET	X	1				
181	168576-4	SEPARATOR PLATE		1	*			
181-1	161571-3	SEPARATOR PLATE	X	1				
182	413121-3	CARBURETOR GASKET		1				
183	922228-9	H.S.H.BOLT M5X18 WITH WR		2				
184	450559-1	INSULATOR		1				
187	324961-3	INTAKE PIPE		1				
188	413120-5	INSULATOR GASKET		1				
189	213078-6	O-RING 10		1				
190	922213-2	H.S.H.BOLT M5X12 WITH WR		1				
191	450562-2	CLAMP		1				
193	168497-0	CARBURETOR		1				
D10		INC. 194,196-210						
194	140437-0	PUMP BODY		1				

Model No.EBH252U BRUSH CUTTER

Item	Parts No.	Description	I/C	Qty	New/Old	Opt. 1	Opt. 2	Note
D10		INC. 195						
195	352010-6	INLET SCREEN		1	*			
195-1	WJ00014070	INLET SCREEN	O	1				
196	442154-1	METERING DIAPHRAGM GASKET		1				
197	168574-8	METERING DIAPHRAGM		1	*			
197-1	WJ00963279	SCREW	O	1	*			
197-2	WJ00095586	DIAPHRAGM ASS'Y	X	1				
198	140438-8	AIR PURGE BODY		1				
199	424314-7	PRIMER PUMP		1				
200	346270-0	PRIMER PUMP COVER		1				
201	266582-4	TAPPING SCREW 3X24		4				
202	168575-6	PUMP DIAPHRAGM		1	*			
202-1	WJ00009599	PUMP DIAPHRAGM	O	1				
203	442155-9	PUMP GASKET		1				
204	325924-2	JET		1				
205	213538-8	O RING 2		1				
206	234183-6	CONICAL COMPRESSION SPRING 5-9		1				
207	266581-6	PAN HEAD SCREW M3X8 WITH W		2	*			
207-1	WJ00096364	SCREW M3X8 WITH WASHER	O	2				
208	325922-6	SWIVEL		1				
209	413140-9	WASHER		1				
210	257964-1	STOP RING E-3		1				
211	806902-6	GAS EMISSION APPROVAL LABEL		1	*			
211-1	806902-6	GAS EMISSION APPROVAL LABEL	O	1	*			
212	345964-4	TANK GUARD		1				
213	806903-4	SERIAL NO. LABEL		1	*			
213-1	814998-3	SERIAL LABEL	<	1				
214	911148-2	PAN HEAD SCREW M4X25		2				
215	265187-7	PAN HEAD SCREW M5X12		2	*			
215-1	911213-7	PAN HEAD SCREW M5X12	O	2				
216	331835-1	SPACER		2				
217	345963-6	CLAMP		1				
218	638664-6	LEAD UNIT		1	*			
218-1	632E38-3	LEAD UNIT	S	1				
219	638665-4	LEAD UNIT		1	*			
219-1	632E39-1	LEAD UNIT	S	1				
220	324980-9	SPARK ARRESTER		1				
221	638671-9	LEAD UNIT		1				
222	413143-3	WASHER		2				
A01	122855-4	BAND ASSEMBLY		1	*			

Model No.EBH252U BRUSH CUTTER

Item	Parts No.	Description	I/C	Qty	New/Old	Opt. 1	Opt. 2	Note
A01-1	122906-3	BAND ASSY	O	1				
C10	140400-3	HOOK COMPLETE		1				
A02	242072-1	OIL BOTTLE		1	*			
A03	783013-3	BOX DRIVER 16-17		1				
A04	783217-7	HEX. WRENCH 5		1	*			
A04-1	783232-1	HEX. WRENCH 5	O	1	*			
A04-2	783217-7	HEX. WRENCH 5	O	1				
A05	783223-2	HEX. WRENCH 4		1	*			
A05-1	783202-0	HEX. WRENCH 4	O	1				
A06	831304-7	ACCESSORY BAG		1				
A07	450573-7	TOOL COVER		2	*			
A07-1	456924-2	TOOL COVER	O	1				
A08	B-01878	STAR BLADE 230-4T		1	*			
A08-1	B-14118	STAR BLADE 230X4TX25.4	<	1				
A10	195500-4	OIL SET		1	*			
A10-1	197007-6	OIL SET	O	1	*			
A10-2	191A18-9	OIL SET	O	1	*			
A10-3	197007-6	OIL SET	O	1				
E02	819430-2	CAUTION TAG		1				

Please order the parts with part number.

Print Date 27/3/2020