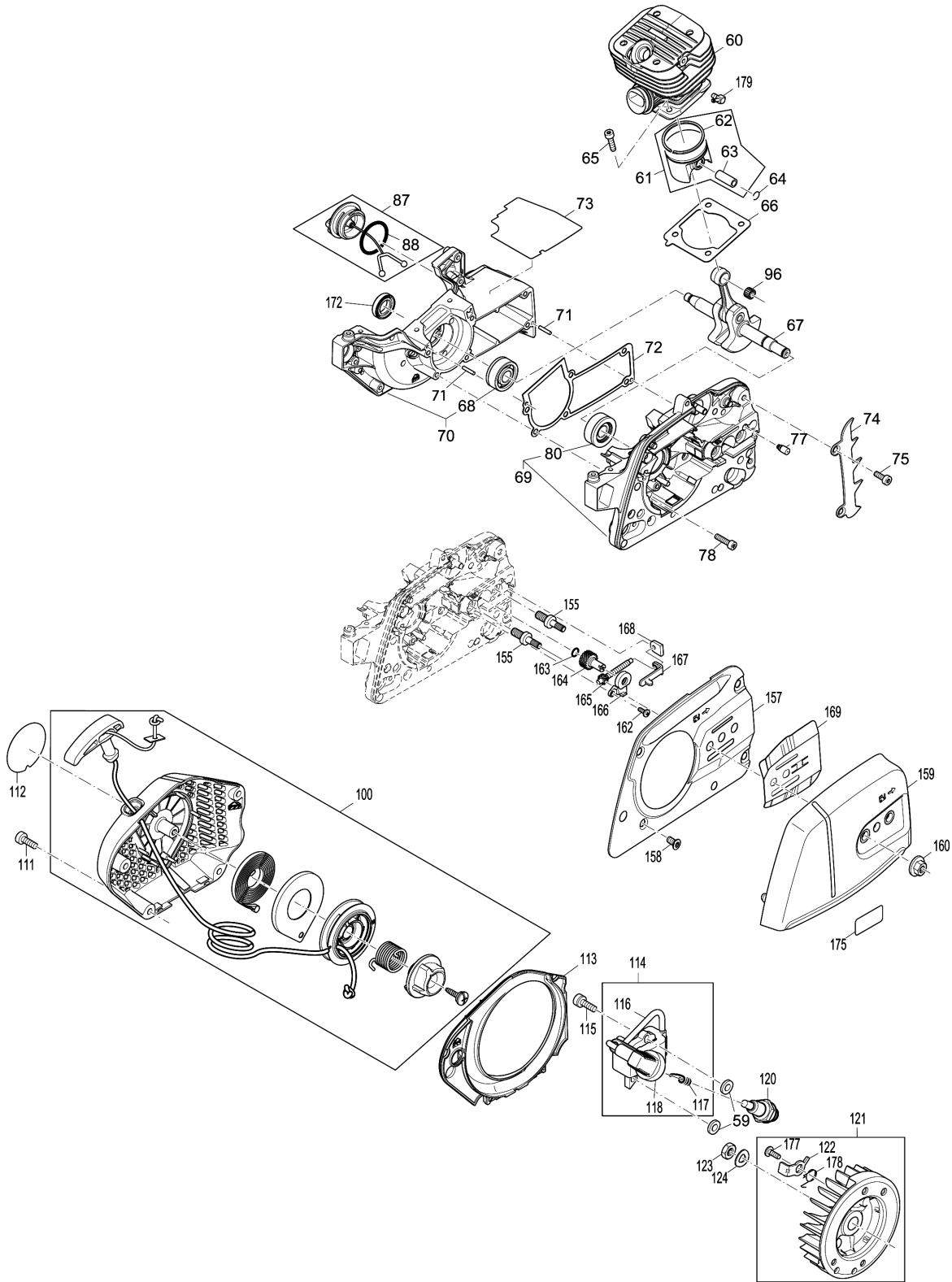
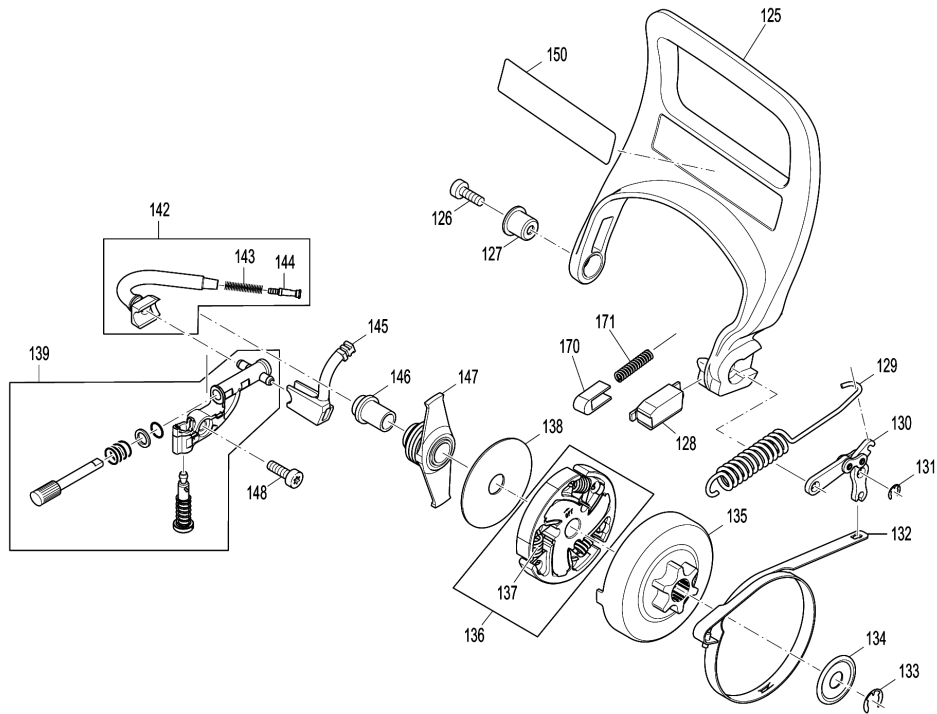


Model No.EA4300F PETROL CHAIN SAW



Model No.EA4300F PETROL CHAIN SAW



Model No.EA4300F PETROL CHAIN SAW

Item	Parts No.	Description	I/C	Qty	New/Old	Opt. 1	Opt. 2	Note
001	143341-2	FUEL TANK WELDED BLUE		1				
002	456143-0	GRIP OUTER SHELL		1				
003	266478-9	H.L.TAPPING SCREW 5.5X16		1				
004	456142-2	CATCH LEVER		1				
005	456141-4	THROTTLE LEVER		1				
006	231866-9	TORSION SPRING 10		1				
007	195762-4	AIR VALVE SET		1				
008	424456-7	FUEL LINE		1				
009	213586-7	O RING 11.5		1				
010	424756-5	TUBE 2.5-118		1				
011	424757-3	TUBE 3.0-93		1				
012	168823-3	TANK CAP COMPLETE		1				
D10		INC. 13						
013	213080-9	O RING 29.5		1				
014A	163447-0	FUEL FILTER		1	*			
014B	163447-0	FUEL FILTER		1	*			
014-1A	163447-0	FUEL FILTER	O	1				
014-1B	163447-0	FUEL FILTER	O	1				
014-1F	163447-0	FUEL FILTER		1				
015	852C42-6	EA4300F NAME PLATE		1				
016	456140-6	TUBULAR HANDLE		1				
017	456151-1	SIDE COVER MAKITA BLUE		1				
018	234189-4	COMPRESSION SPRING 12		4				
019	266605-8	H.L. SOCKET HEAD BOLT M5X16		4				
020	266478-9	H.L.TAPPING SCREW 5.5X16		3				
021	266478-9	H.L.TAPPING SCREW 5.5X16		2				
022	266478-9	H.L.TAPPING SCREW 5.5X16		2				
023	266478-9	H.L.TAPPING SCREW 5.5X16		2				
024	346517-2	CUP WASHER 6		1				
025	456135-9	INTAKE MANIFOLD		1	*			
025-1	459832-6	INTAKE MANIFOLD	O	1				
026	123452-9	AIR FILTER CPL.NYLON		1				
027	456169-2	CARBURETOR BOTTOM		1				
028	266605-8	H.L. SOCKET HEAD BOLT M5X16		1				
029	266605-8	H.L. SOCKET HEAD BOLT M5X16		1				
030A	346926-5	CONTACT SPRING		1	*			
030B	346926-5	CONTACT SPRING		1	*			
030-1A	347357-1	CONTACT SPRING	<	1				
030-1B	347357-1	CONTACT SPRING	<	1				
030-1F	347357-1	CONTACT SPRING		1				
031	456139-1	CHOKE LEVER		1				

Please order the parts with part number.

Print Date 27/3/2020

Model No.EA4300F PETROL CHAIN SAW

Item	Parts No.	Description	I/C	Qty	New/Old	Opt. 1	Opt. 2	Note
032	632F41-0	SHORT-CIRCUIT CABLE		1				
033	424759-9	ISOLATING TUBE 6-30		1				
034	143330-7	THROTTLE LINKAGE		1				
036	266478-9	H.L.TAPPING SCREW 5.5X16		1				
037	266478-9	H.L.TAPPING SCREW 5.5X16		1				
038A	251478-2	H.L. SOCKET HEAD BOLT M4X40		2	*			
038B	251478-2	H.L. SOCKET HEAD BOLT M4X40		2	*			
038-1A	266604-0	H.L. SOCKET HEAD BOLT M4X40	O	2				
038-1B	266604-0	H.L. SOCKET HEAD BOLT M4X40	O	2				
038-1F	266604-0	H.L. SOCKET HEAD BOLT M4X40		2				
041	168398-2	PRIMER PUMP		1				
042	424754-9	TUBE 2.5-55		1				
043	424755-7	TUBE 2.5-93		1				
044	346413-4	BUSH 17		1				
045	424753-1	INTAKE HOSE		1				
046A	326675-0	CONNECTING LINK		1	*			
046B	326675-0	CONNECTING LINK		1	*			
046-1A	325939-9	CONNECTING LINK	O	1				
046-1B	325939-9	CONNECTING LINK	O	1				
046-1F	325939-9	CONNECTING LINK		1				
048	266605-8	H.L. SOCKET HEAD BOLT M5X16		2				
049	266612-1	H.L. SOCKET HEAD BOLT M5X10		2				
050A	266943-8	H.L. SOCKET HEAD BOLT M5X40		1	*			
050B	266943-8	H.L. SOCKET HEAD BOLT M5X40		1	*			
050-1A	266606-6	H.L. SOCKET HEAD BOLT M5X40	O	1				
050-1B	266606-6	H.L. SOCKET HEAD BOLT M5X40	O	1				
050-1F	266606-6	H.L. SOCKET HEAD BOLT M5X40		1				
052	352027-9	SPARK ARRESTER SCREEN		1				
054	161363-0	MUFFLER COMPLETE		1				
D10		INC. 52						
055	346304-9	GASKET		1				
056	213085-9	O-RING 20		1				
057	424752-3	PACKING RING		1				
059	451462-9	ISOLATING WASHER		2				
060A	319338-5	CYLINDER D=42		1	*			
060B	319338-5	CYLINDER D=42		1	*			
060-1A	144710-0	CYLINDER COMPLETE	X	1	*			

Model No.EA4300F PETROL CHAIN SAW

Item	Parts No.	Description	I/C	Qty	New/Old	Opt. 1	Opt. 2	Note
D10		INC. 179			*			
060-1B	144710-0	CYLINDER COMPLETE	X	1	*			
D10		INC. 179			*			
060-1F	144710-0	CYLINDER COMPLETE		1	*			
D10		INC. 179			*			
060-2	140L37-8	CYLINDER COMPLETE	S	1				
D10		INC. 179						
061	143332-3	PISTON 42 CPL.		1				
D10		INC. 62,63						
062	257383-1	PISTON RING 42		1				
063	268339-9	PISTON PIN 9		1				
064	232302-8	CIRCRIP 9		2				
065	266960-8	H.L. SOCKET HEAD BOLT M5X20		4				
066	346925-7	CYLINDER BASE GASKET		1				
067	143329-2	CRANKSHAFT CPL.		1	*			
067-1	140H65-9	CRANKSHAFT COMPLETE	S	1				
068	211494-6	BALL BEARING 6201		1	*			
068-1	211341-1	BALL BEARING 6201	O	1				
069	143333-1	CRANKCASE CS COMPLETE BLUE		1	*			
D10		INC. 71,77,80			*			
069-1	144393-6	CRANKCASE CS COMPLETE BLUE	S	1				
D10		INC. 71,77,80						
070	143337-3	CRANKCASE MS COMPLETE BLUE		1	*			
D10		INC. 68			*			
070-1	144394-4	CRANKCASE MS COMPLETE BLUE	S	1				
D10		INC. 68						
071	258038-1	CLAMPING PIN		2	*			
071-1	951063-8	SPRING PIN 3-16	O	2				
072	346924-9	CRANK CASE GASKET		1				
073	346928-1	HEAT PROTECTION FOIL		1				
074	346301-5	SPIKE BAR		1				
075	266605-8	H.L. SOCKET HEAD BOLT M5X16		2				
076	456159-5	HOOD		1				
077	168504-9	VENT VALVE		1				
078	266960-8	H.L. SOCKET HEAD BOLT M5X20		6				
079	452018-1	FUEL NIPPLE		1				
080	219024-7	DEEP GROOVE BALL BEARING		1				
087	168823-3	TANK CAP COMPLETE		1				
D10		INC. 88						

Model No.EA4300F PETROL CHAIN SAW

Item	Parts No.	Description	I/C	Qty	New/Old	Opt. 1	Opt. 2	Note
088	213080-9	O RING 29.5		1				
089	161368-0	HOOD COMPLETE BLACK		1				
D10		INC. 91,92,95						
091	346929-9	PROTECTION FILM HOOD		1				
092	456157-9	SHUTTER PLATE		1				
093	456138-3	GUIDE		1				
094	266605-8	H.L. SOCKET HEAD BOLT M5X16		3				
095	816917-5	INDICATION LABEL		1				
096	212093-7	NEEDLE CAGE 912		1				
100	161365-6	STARTER COMPLETE BLUE		1				
111	266605-8	H.L. SOCKET HEAD BOLT M5X16		4				
112	809A28-9	EA4300F MODEL NO. LABEL		1				
113	456137-5	AIR GUIDE PLATE		1				
114	161357-5	IGNITION COIL COMPLETE		1				
D10		INC. 116,117,118						
115A	266472-1	TORX SOCKET HEAD BOLT M5X20		2	*			
115B	266472-1	TORX SOCKET HEAD BOLT M5X20		2	*			
115-1A	266472-1	TORX SOCKET HEAD BOLT M5X20	O	2				
115-1B	266472-1	TORX SOCKET HEAD BOLT M5X20	O	2				
115-1F	266472-1	TORX SOCKET HEAD BOLT M5X20		2				
116	444042-8	ISOLATING TUBE 6-80		1				
117	234358-7	TERMINAL SPRING		1				
118	424750-7	PLUG CAP		1				
120	168599-2	SPARK PLUG NGK CMR7A-5		1				
121	143331-5	FLYWHEEL COMPLETE		1				
D10		INC. 122,177,178						
122	346916-8	RATCHET		2				
123	264022-6	HEX. NUT M8X1		1				
124	267822-3	SPRING WASHER 8		1				
125	456136-7	HAND PROTECTION		1				
126	266605-8	H.L. SOCKET HEAD BOLT M5X16		1				
127	326596-6	BUSH		1				
128	450926-0	STOPPER CASE		1				
129	231870-8	TENSION SPRING 10		1				
130	163500-2	LINK PLATE COMPLETE		1				
131A	257934-0	STOP RING E-4		1	*			
131B	257934-0	STOP RING E-4		1	*			
131-1A	961011-9	STOP RING E-4	O	1				
131-1B	961011-9	STOP RING E-4	O	1				

Please order the parts with part number.

Print Date 27/3/2020

Model No.EA4300F PETROL CHAIN SAW

Item	Parts No.	Description	I/C	Qty	New/Old	Opt. 1	Opt. 2	Note
131-1F	961011-9	STOP RING E-4		1				
132	346029-5	BRAKE BAND		1				
133	259045-7	STOP RING E-8		1				
134	267820-7	WASHER 29		1				
135	158927-9	CLUTCH DRUM COMPLETE		1	*			
135-1	158927-9	CLUTCH DRUM COMPLETE	O	1				
136A	123454-5	CLUTCH ASSEMBLY		1	*			
D10		INC. 137			*			
136B	123454-5	CLUTCH ASSEMBLY		1	*			
D10		IKNC. 137			*			
136-1A	123857-3	CLUTCH ASSEMBLY	O	1	*			
D10		INC. 137			*			
136-1B	123857-3	CLUTCH ASSEMBLY	O	1	*			
D10		IKNC. 137			*			
136-1F	123857-3	CLUTCH ASSEMBLY		1	*			
D10		IKNC. 137			*			
136-2	127443-2	CLUTCH ASSEMBLY	O	1				
D10		IKNC. 137						
137A	231896-0	TENSION SPRING		3	*			
137B	231896-0	TENSION SPRING		3	*			
137-1A	232352-3	TENSION SPRING	O	3				
137-1B	232352-3	TENSION SPRING	O	3				
137-1F	232352-3	TENSION SPRING		3				
138	267389-1	FLAT WASHER 12		1	*			
138-1	253454-2	FLAT WASHER 12	O	1				
139	161346-0	OIL PUMP COMPLETE		1				
142	168645-1	OIL SUCTION LINE COMPLETE		1				
D10		INC. 144,143						
143	234207-8	COMPRESSION SPRING 6		1				
144	452666-6	NIPPLE		1				
145	424178-9	OIL TUBE		1				
146	325604-0	BUSH		1				
147	450956-1	PUMP DRIVE		1				
148	266605-8	H.L. SOCKET HEAD BOLT M5X16		1				
150	810075-9	CAUTION LABEL		1	*			
150-1	817T83-1	CAUTION LABEL	<	1	*			
150-2	818L12-9	CAUTION LABEL	<	1				
155	266978-9	BOLT		2				
157	346927-3	CHAIN BRAKE COVER		1				
158	266477-1	H.L. C.S. HEAD SCREW M5X12		2				
159A	161440-8	SPROCKET GUARD CPL. MAKITA		1	*			

Model No.EA4300F PETROL CHAIN SAW

Item	Parts No.	Description	I/C	Qty	New/Old	Opt. 1	Opt. 2	Note
159B	161440-8	SPROCKET GUARD CPL. MAKITA		1	*			
159-1A	161791-9	SPROCKET GUARD CPL. MAKITA	<	1				
159-1B	161791-9	SPROCKET GUARD CPL. MAKITA	<	1				
159-1F	161791-9	SPROCKET GUARD CPL. MAKITA		1				
160A	252145-2	COLLARED HEX NUT M8		2	*			
160B	252145-2	COLLARED HEX NUT M8		2	*			
160-1A	264055-1	COLLARED HEX. NUT M8	O	2				
160-1B	264055-1	COLLARED HEX. NUT M8	O	2				
160-1F	264055-1	COLLARED HEX. NUT M8		2				
162	251480-5	TAPPING SCREW ST3.5X9.5		1	*			
162-1	266484-4	H.L SOCKET HEAD BOLT M5X12	S	1				
163A	213082-5	O-RING 7		1	*			
163B	213082-5	O-RING 7		1	*			
163-1A	213594-8	O RING 7	O	1				
163-1B	213594-8	O RING 7	O	1				
163-1F	213594-8	O RING 7		1				
164A	226693-7	HELICAL GEAR 18		1	*			
164B	226693-7	HELICAL GEAR 18		1	*			
164-1A	227744-9	HELICAL GEAR 18	O	1				
164-1B	227744-9	HELICAL GEAR 18	O	1				
164-1F	227744-9	HELICAL GEAR 18		1				
165A	226692-9	HELICAL GEAR 11		1	*			
165B	226692-9	HELICAL GEAR 11		1	*			
165-1A	227743-1	HELICAL GEAR 11	O	1				
165-1B	227743-1	HELICAL GEAR 11	O	1				
165-1F	227743-1	HELICAL GEAR 11		1				
166	452667-4	GEAR COVER PROFESSIONAL		1				
167A	346300-7	TENSION SLIDE		1	*			
167B	346300-7	TENSION SLIDE		1	*			
167-1A	347252-5	TENSION SLIDE	S	1				
167-1B	347252-5	TENSION SLIDE	S	1				
167-1F	347252-5	TENSION SLIDE		1				
168A	450929-4	GUIDE PLATE		1	*			
168B	450929-4	GUIDE PLATE		1	*			
168-1A	452668-2	CLAMP SCREW BEDDING	O	1				
168-1B	452668-2	CLAMP SCREW BEDDING	O	1				
168-1F	452668-2	CLAMP SCREW BEDDING		1				
169	346518-0	GUIDE PLATE		1				
170	313212-9	HAND GUARD GUIDE		1				
171	234093-7	COMPRESSION SPRING 3		1				

Model No.EA4300F PETROL CHAIN SAW

Item	Parts No.	Description	I/C	Qty	New/Old	Opt. 1	Opt. 2	Note
172	213141-5	OIL SEAL 12		1				
173	802K41-6	SOUND 113DB LABEL		1	*			
173-1	807U97-4	SOUND 115DB LABEL	S	1				
177	266626-0	H.L. TAPPING SCREW 5X12		2				
178	232303-6	TORSION SPRING 13		2				
179	325938-1	ANGULAR NIPPLE		1				
180	266977-1	THUMB SCREW		1				
300A	161371-1	CARBURETOR DM23B		1	*			
300B	161371-1	CARBURETOR DM23B		1	*			
300-1A	161371-1	CARBURETOR DM23B	O	1				
C10	ZJ00000077	NOZZLE ASSEMBLY		1				
C12	ZJ00000097	PUMP COVER KIT		1				
C14	ZJ00000020	SCREW (PUMP COVER)		1				
C16	ZJ00000026	SCREW,IDLE MIXTURE		1				
C18	ZJ00000027	SCREW,MAIN MIXTURE		1				
C20	ZJ00000037	STRAINER		1				
C22	ZJ00000073	SPRING		1				
C24	ZJ00000015	THROTTLE SHAFT ASSY		1				
C26	ZJ00000012	SHAFT ASSY,CHOKE		1				
C28	ZJ00000030	VALVE,THROTTLE		1				
C30	ZJ00000001	SCREW		2				
C32	ZJ00000036	PLUG,ACC POCKET		1				
C34	ZJ00000098	THROTTLE LEVER SCREEN		1				
C36	ZJ00000022	LEVER,THROTTLE		1				
C38	ZJ00000023	SCREW		1				
C40	ZJ00000021	COLLAR		1				
C42	ZJ00000028	COVER,METERING		1				
C44	ZJ00000014	SCREW (WITH SERRATION)		2				
C46	ZJ00000033	WASHER		1				
C48	ZJ00000031	LEVER,CHOKE		1				
C50	ZJ00000099	CHOKE LEVER		1				
C52	ZJ00000017	E-RING		1				
C54	ZJ00000024	VALVE,CHOKE		1				
C56	ZJ00000005	PLUNGER KIT		1				
C58	ZJ00000032	SPRING,CHOKE RETURN		1				
C60	ZJ00000040	SPRING,THROTTLE RETURN		1				
D10		INC. 301-310						
300-1B	161371-1	CARBURETOR DM23B	O	1				
C10	ZJ00000077	NOZZLE ASSEMBLY		1				
C12	ZJ00000097	PUMP COVER KIT		1				
C14	ZJ00000020	SCREW (PUMP COVER)		1				
C16	ZJ00000026	SCREW,IDLE MIXTURE		1				

Please order the parts with part number.

Print Date 27/3/2020

Model No.EA4300F PETROL CHAIN SAW

Item	Parts No.	Description	I/C	Qty	New/Old	Opt. 1	Opt. 2	Note
C18	ZJ00000027	SCREW,MAIN MIXTURE		1				
C20	ZJ00000037	STRAINER		1				
C22	ZJ00000073	SPRING		1				
C24	ZJ00000015	THROTTLE SHAFT ASSY		1				
C26	ZJ00000012	SHAFT ASSY,CHOKE		1				
C28	ZJ00000030	VALVE,THROTTLE		1				
C30	ZJ00000001	SCREW		2				
C32	ZJ00000036	PLUG,ACC POCKET		1				
C34	ZJ00000098	THROTTLE LEVER SCREEN		1				
C36	ZJ00000022	LEVER,THROTTLE		1				
C38	ZJ00000023	SCREW		1				
C40	ZJ00000021	COLLAR		1				
C42	ZJ00000028	COVER,METERING		1				
C44	ZJ00000014	SCREW (WITH SERRATION)		2				
C46	ZJ00000033	WASHER		1				
C48	ZJ00000031	LEVER,CHOKE		1				
C50	ZJ00000099	CHOKE LEVER		1				
C52	ZJ00000017	E-RING		1				
C54	ZJ00000024	VALVE,CHOKE		1				
C56	ZJ00000005	PLUNGER KIT		1				
C58	ZJ00000032	SPRING,CHOKE RETURN		1				
C60	ZJ00000040	SPRING,THROTTLE RETURN		1				
D10		INC. 301-310						
300-1F	161371-1	CARBURETOR DM23B		1				
C10	ZJ00000077	NOZZLE ASSEMBLY		1				
C12	ZJ00000097	PUMP COVER KIT		1				
C14	ZJ00000020	SCREW (PUMP COVER)		1				
C16	ZJ00000026	SCREW,IDLE MIXTURE		1				
C18	ZJ00000027	SCREW,MAIN MIXTURE		1				
C20	ZJ00000037	STRAINER		1				
C22	ZJ00000073	SPRING		1				
C24	ZJ00000015	THROTTLE SHAFT ASSY		1				
C26	ZJ00000012	SHAFT ASSY,CHOKE		1				
C28	ZJ00000030	VALVE,THROTTLE		1				
C30	ZJ00000001	SCREW		2				
C32	ZJ00000036	PLUG,ACC POCKET		1				
C34	ZJ00000098	THROTTLE LEVER SCREEN		1				
C36	ZJ00000022	LEVER,THROTTLE		1				
C38	ZJ00000023	SCREW		1				
C40	ZJ00000021	COLLAR		1				
C42	ZJ00000028	COVER,METERING		1				
C44	ZJ00000014	SCREW (WITH SERRATION)		2				

Model No.EA4300F PETROL CHAIN SAW

Item	Parts No.	Description	I/C	Qty	New/Old	Opt. 1	Opt. 2	Note
C46	ZJ00000033	WASHER		1				
C48	ZJ00000031	LEVER,CHOKE		1				
C50	ZJ00000099	CHOKE LEVER		1				
C52	ZJ00000017	E-RING		1				
C54	ZJ00000024	VALVE,CHOKE		1				
C56	ZJ00000005	PLUNGER KIT		1				
C58	ZJ00000032	SPRING,CHOKE RETURN		1				
C60	ZJ00000040	SPRING,THROTTLE RETURN		1				
D10		INC. 301-310						
301A	ZJ00000003	STRAINER		1				
301B	ZJ00000003	STRAINER		1				
301F	ZJ00000003	STRAINER		1				
302A	ZJ00000008	PIN		1				
302B	ZJ00000008	PIN		1				
302F	ZJ00000008	PIN		1				
303A	ZJ00000078	SPRING, METERING LEVER		1				
303B	ZJ00000078	SPRING, METERING LEVER		1				
303F	ZJ00000078	SPRING, METERING LEVER		1				
304A	ZJ00000006	LEVER		1				
304B	ZJ00000006	LEVER		1				
304F	ZJ00000006	LEVER		1				
305A	ZJ00000007	VALVE, INLET NEEDLE		1				
305B	ZJ00000007	VALVE, INLET NEEDLE		1				
305F	ZJ00000007	VALVE, INLET NEEDLE		1				
306A	ZJ00000009	SCREW (METERING LEVER PIN)		1				
306B	ZJ00000009	SCREW (METERING LEVER PIN)		1				
306F	ZJ00000009	SCREW (METERING LEVER PIN)		1				
307A	ZJ00000079	METERING CHAMBER GASKET		1				
307B	ZJ00000079	METERING CHAMBER GASKET		1				
307F	ZJ00000079	METERING CHAMBER GASKET		1				
308A	ZJ00000013	DIAPHRAGM ASS'Y,METERING		1				
308B	ZJ00000013	DIAPHRAGM ASS'Y,METERING		1				
308F	ZJ00000013	DIAPHRAGM ASS'Y,METERING		1				
309A	ZJ00000029	DIAPHRAGM, PUMP		1				
309B	ZJ00000029	DIAPHRAGM, PUMP		1				
309F	ZJ00000029	DIAPHRAGM, PUMP		1				
310A	ZJ00000016	GASKET, PUMP		1				
310B	ZJ00000016	GASKET, PUMP		1				
310F	ZJ00000016	GASKET, PUMP		1				
311A	ZJ00000081	REBUILT KIT		1				
D10		INC. 301-306,312						

Please order the parts with part number.

Print Date 27/3/2020

Model No.EA4300F PETROL CHAIN SAW

Item	Parts No.	Description	I/C	Qty	New/Old	Opt. 1	Opt. 2	Note
311B	ZJ00000081	REBUILT KIT		1				
D10		INC. 301-306,312						
311F	ZJ00000081	REBUILT KIT		1				
D10		INC. 301-306,312						
312A	ZJ00000082	GASKET&DIAPHRAGM KIT		1				
D10		INC. 307-310						
312B	ZJ00000082	GASKET&DIAPHRAGM KIT		1				
D10		INC. 307-310						
312F	ZJ00000082	GASKET&DIAPHRAGM KIT		1				
D10		INC. 307-310						
313	347438-1	COOLING PLATE	S	1				
314	183M69-8	NYLON FILTER SET BLACK		1	*			
D10		INC. 25,26,56,76,89,94,180			*			
314-1	183M92-3	NYLON FILTER SET BLACK	O	1				
D10		INC. 25,26,56,76,89,94,180						
A01A	161420-4	GUIDE BAR 15		1	*			
A01B	161420-4	GUIDE BAR 15		1	*			
A01F	162487-5	GUIDE BAR 13		1	*			
A01-1A	161420-4	GUIDE BAR 15	O	1				
A01-1B	161420-4	GUIDE BAR 15	O	1				
A01-1F	162487-5	GUIDE BAR 13	O	1				
A02A	419560-5	CHAIN PROTECTION COVER 430		1				
A02B	419560-5	CHAIN PROTECTION COVER 430		1				
A02F	419559-0	CHAIN PROTECTION COVER 330		1				
A03	197324-4	TOOL KIT		1				
C10	782025-3	TORX WRENCH		1				
C20	782026-1	UNIVERSAL WRENCH 13/16		1				
C30	783012-5	SCREWDRIVER		1				
C40	831340-3	TOOL BAG		1				
A04A	532484064	SAW CHAIN .325.050"ML L64 MC M		1				
A04B	532484064	SAW CHAIN .325.050"ML L64 MC M		1				
A04F	532484056	SAW CHAIN .325.050"ML L56 MC M		1				
B01	183L41-4	CYLINDER PISTON SET		1				
D10		INC. 59-61,179						

Please order the parts with part number.

Print Date 27/3/2020