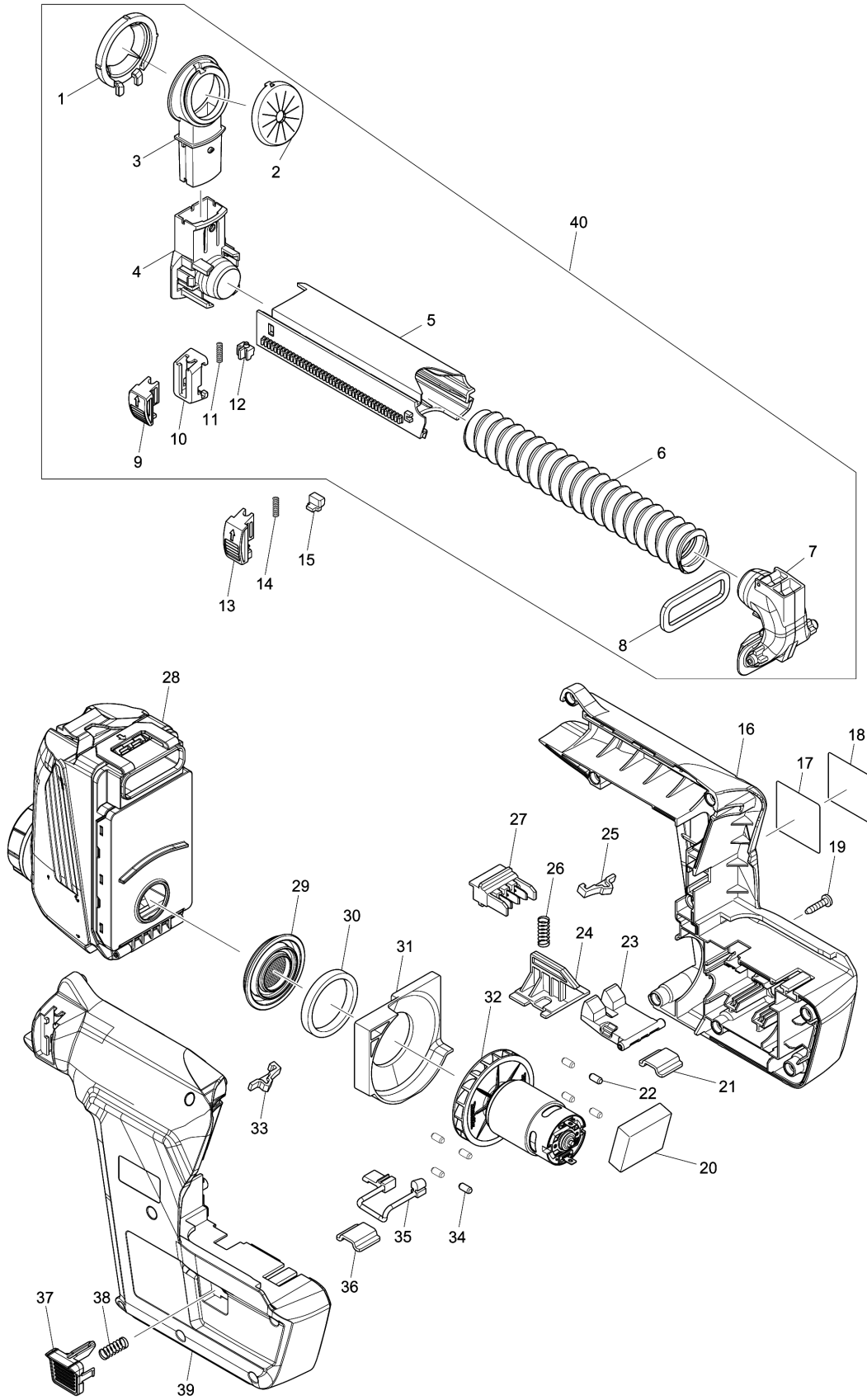
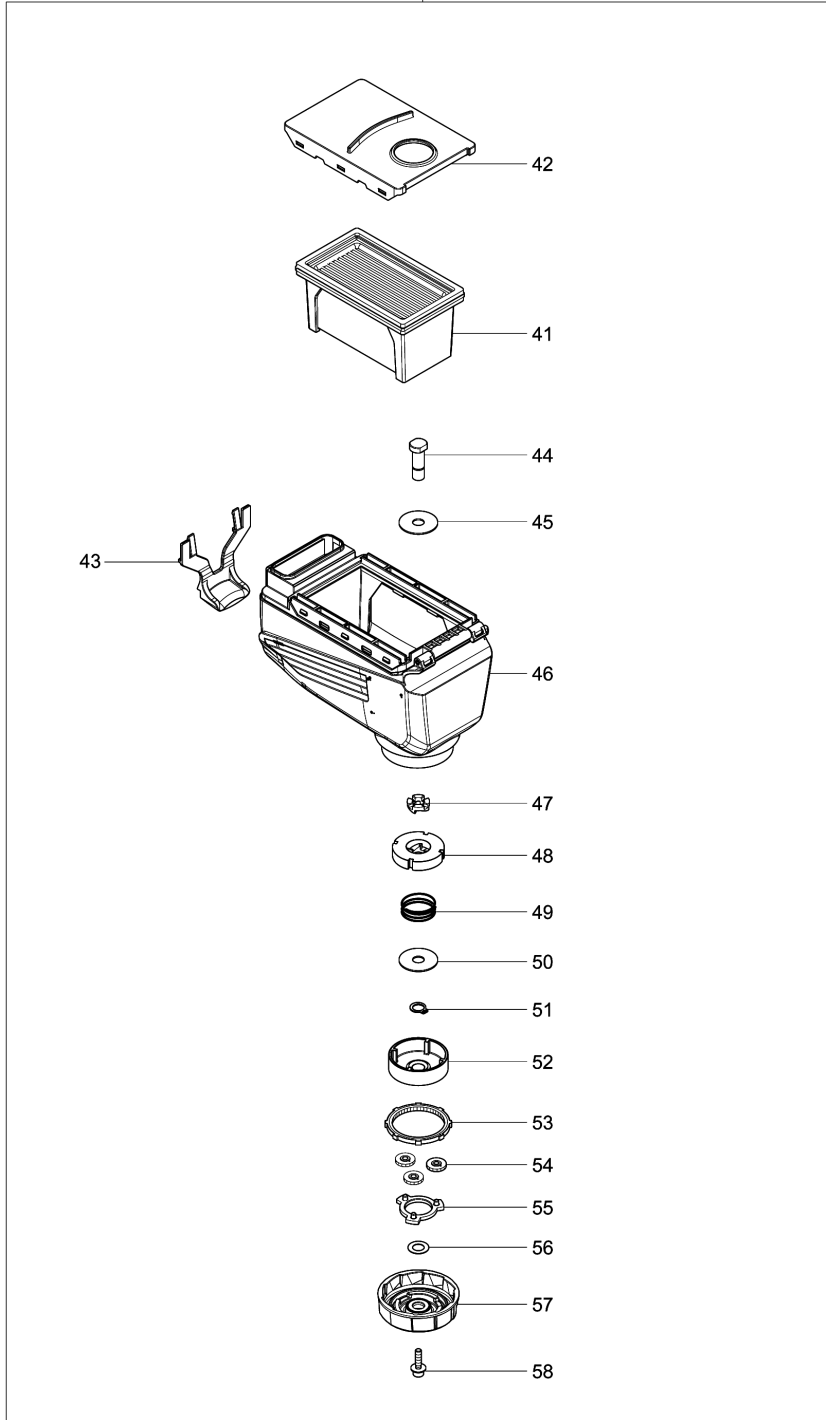


# Model No.DX06 DUST COLLECTION SYSTEM



Model No.DX06 DUST COLLECTION SYSTEM

28



Model No.DX06 DUST COLLECTION SYSTEM

Item	Parts No.	Description	I/C	Qty	New/Old	Opt. 1	Opt. 2	Note
001	424722-2	FITTING RUBBER		1				
002	424474-5	SEALING CAP		1				
003	455736-0	COLLECTOR		1				
004	454578-9	COLLECTOR BASE A		1				
005	454580-2	SLIDE PIPE		1				
006	245038-0	HOSE 30		1				
007	456017-5	INNER PIPE		1				
008	423425-5	SPONGE SHEET B		1				
009	453141-5	SLIDE LEVER A		1				
010	453140-7	STOPPER BASE		1				
011	234227-2	COMPRESSION SPRING 3		1				
012	453702-1	RACK A		1				
013	453142-3	SLIDE LEVER B		1				
014	234227-2	COMPRESSION SPRING 3		1				
015	453139-2	RACK B		1				
016	187304-8	HOUSING SET		1				
D10		INC. 39						
017	855D83-7	DX06 NAME PLATE		1				
018	890995-3	CLEAR LABEL		1				
019	266326-2	TAPPING SCREW 4X18		8				
020	638956-3	CONTROLLER UNIT		1	*			
C10	654069-2	RECEPTACLE		2	*			
C20	654281-4	RECEPTACLE		3	*			
020-1	620B21-4	CONTROLLER	O	1				
C10	654069-2	RECEPTACLE		2				
C20	654281-4	RECEPTACLE		3				
021	346539-2	GUIDE PLATE		1				
022	263025-7	RUBBER PIN 4		4				
023	453146-5	HOOK		1				
024	453144-9	LIFT PLATE		1				
025	424475-3	CUSHION		1				
026	234228-0	COMPRESSION SPRING 6		1				
027	638931-9	CONNECTOR		1				
028	199555-1	DUST CASE SET		1				
D10		INC. 41-58						
029	453171-6	FILTER PLATE		1				
030	423427-1	SPONGE SHEET C		1				
031	453143-1	BAFFLE PLATE		1				
032	140K26-7	MOTOR COMPLETE		1	*			
032-1	140K26-7	MOTOR COMPLETE	O	1				
033	424475-3	CUSHION		1				
034	263025-7	RUBBER PIN 4		4				

Model No.DX06 DUST COLLECTION SYSTEM

Item	Parts No.	Description	I/C	Qty	New/Old	Opt. 1	Opt. 2	Note
035	424486-8	EARTH RUBBER		1				
036	346539-2	GUIDE PLATE		1				
037	453145-7	PUSH BUTTON		1				
038	234228-0	COMPRESSION SPRING 6		1				
039	187304-8	HOUSING SET		1				
D10		INC. 16						
040	135696-9	SLIDE PIPE ASSEMBLY		1				
D10		INC. 1-12						
041	199557-7	FILTER SET		1				
042	453150-4	FILTER COVER		1				
043	453148-1	RELEASE LEVER		1				
044	327221-2	SHAFT		1				
045	253431-4	FLAT WASHER 8		1				
046	140G89-9	DUST CASE COMPLETE		1				
C10	256533-5	ROD 2.5		1				
C20	423426-3	SPONGE SHEET A		1				
C30	453149-9	FILTER BASE		1				
047	310918-0	CAM		1				
048	310919-8	HAMMER		1				
049	232482-0	COMPRESSION SPRING 21		1				
050	253431-4	FLAT WASHER 8		1				
051	961004-6	RETAINING RING S-8		1				
052	226856-5	SUPER GEAR 17		1				
053	226857-3	INTERNAL GEAR 49		1				
054	226855-7	SUPER GEAR 15		3				
055	140F90-8	CARRIER COMPLETE		1				
056	253430-6	FLAT WASHER 8		1				
057	140H88-7	DIAL COMPLETE		1				
C10	422431-7	SPONGE SHEET		1				
058	922129-1	H.S.H.BOLT M4X16 WITH WG		1				
A01	424474-5	SEALING CAP		5				

Please order the parts with part number.

Print Date 8/10/2020