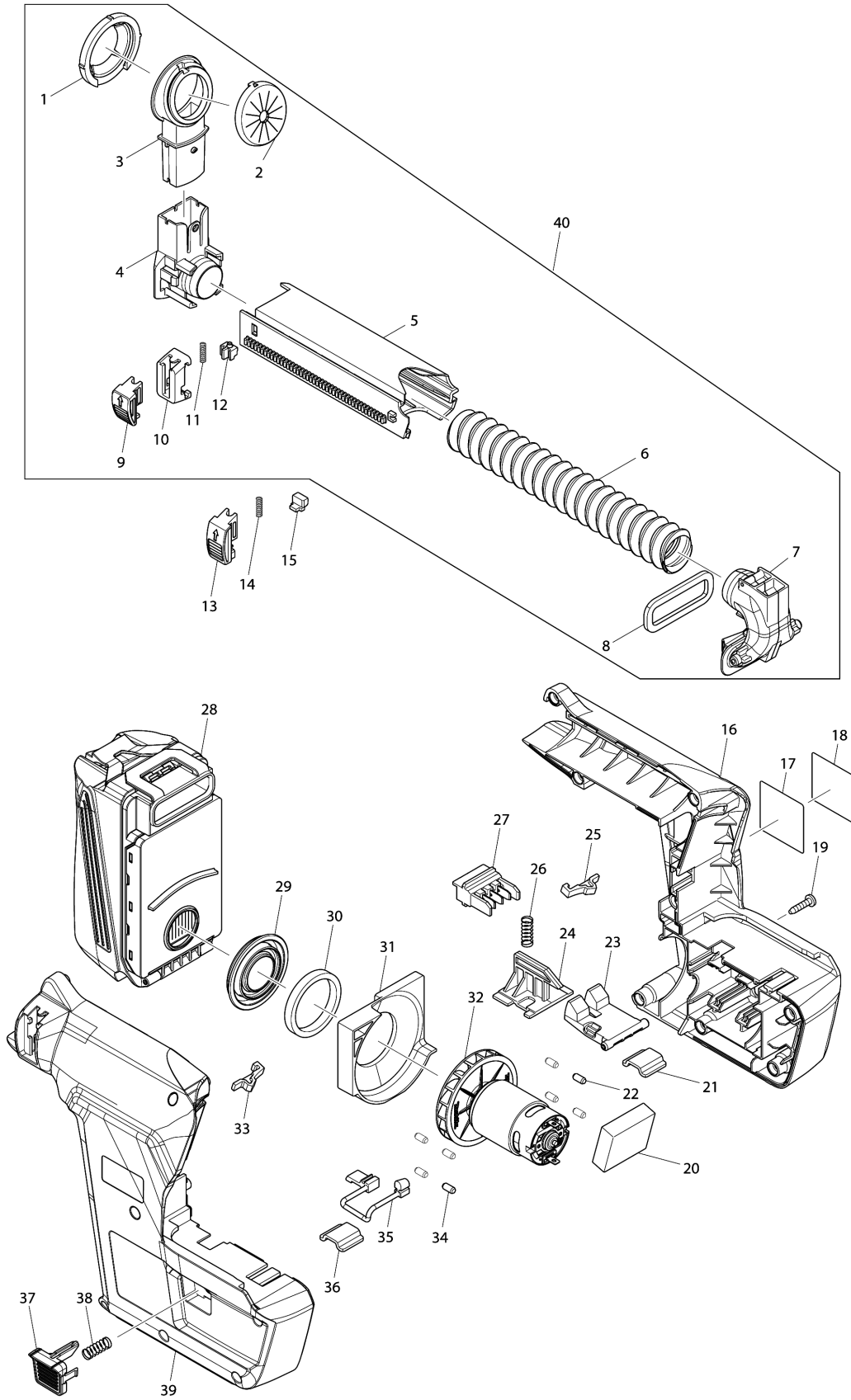


# Model No.DX01 DUST EXTRACTION SYSTEM SET



Model No.DX01 DUST EXTRACTION SYSTEM SET

Item	Parts No.	Description	I/C	Qty	New/Old	Opt. 1	Opt. 2	Note
001	424480-0	FITTING RUBBER		1	*			
001-1	424722-2	FITTING RUBBER	S	1				
002	424474-5	SEALING CAP		1				
003	453136-8	COLLECTOR		1	*			
003-1	455736-0	COLLECTOR	S	1				
004	453134-2	COLLECTOR BASE A		1	*			
004-1	454578-9	COLLECTOR BASE A	S	1				
005	453137-6	SLIDE PIPE		1	*			
005-1	454580-2	SLIDE PIPE	S	1				
006	245038-0	HOSE 30		1				
007	453138-4	INNER PIPE		1	*			
007-1	456017-5	INNER PIPE	<	1				
008	423425-5	SPONGE SHEET B		1				
009	453141-5	SLIDE LEVER A		1				
010	453140-7	STOPPER BASE		1				
011	234227-2	COMPRESSION SPRING 3		1				
012	453702-1	RACK A		1				
013	453142-3	SLIDE LEVER B		1				
014	234227-2	COMPRESSION SPRING 3		1				
015	453139-2	RACK B		1				
016	187304-8	HOUSING SET		1				
D10		INC. 39						
017	896805-2	DX01 NAME PLATE		1				
018	890995-3	CLEAR LABEL		1				
019	266326-2	TAPPING SCREW 4X18		8				
020	638957-1	CONTROLLER UNIT		1	*			
C10	688165-4	LINE FILTER		1	*			
C20	688172-7	LINE FILTER		1	*			
C30	654069-2	RECEPTACLE		2	*			
C40	654281-4	RECEPTACLE		3	*			
020-1	638956-3	CONTROLLER UNIT	>	1	*			
C10	688165-4	LINE FILTER		1	*			
C20	688172-7	LINE FILTER		1	*			
C30	654069-2	RECEPTACLE		2	*			
C40	654281-4	RECEPTACLE		3	*			
020-2	620B21-4	CONTROLLER	O	1				
C10	688165-4	LINE FILTER		1				
C20	688172-7	LINE FILTER		1				
C30	654069-2	RECEPTACLE		2				
C40	654281-4	RECEPTACLE		3				
021	346539-2	GUIDE PLATE		1				
022	263025-7	RUBBER PIN 4		4				

Model No.DX01 DUST EXTRACTION SYSTEM SET

Item	Parts No.	Description	I/C	Qty	New/Old	Opt. 1	Opt. 2	Note
023	453146-5	HOOK		1				
024	453144-9	LIFT PLATE		1				
025	424475-3	CUSHION		1				
026	234228-0	COMPRESSION SPRING 6		1				
027	638931-9	CONNECTOR		1				
028	195854-9	DUST CASE SET		1	*			
C10	195855-7	FILTER SET		1	*			
C20	453150-4	FILTER COVER		1	*			
028-1	196163-9	DUST CASE SET	<	1	*			
C10	196165-5	FILTER SET	<	1	*			
C20	453150-4	FILTER COVER		1	*			
028-2	196162-1	DUST CASE SET	<	1	*			
C10	196165-5	FILTER SET	<	1	*			
C20	453150-4	FILTER COVER		1	*			
028-3	199977-5	DUST CASE SET	O	1				
C10	199557-7	FILTER SET	<	1				
C20	453150-4	FILTER COVER		1				
029	453171-6	FILTER PLATE		1				
030	423427-1	SPONGE SHEET C		1				
031	453143-1	BAFFLE PLATE		1				
032	141163-4	MOTOR COMPLETE		1	*			
032-1	140K26-7	MOTOR COMPLETE	<	1	*			
032-2	140K26-7	MOTOR COMPLETE	O	1				
033	424475-3	CUSHION		1				
034	263025-7	RUBBER PIN 4		4				
035	424486-8	EARTH RUBBER		1				
036	346539-2	GUIDE PLATE		1				
037	453145-7	PUSH BUTTON		1				
038	234228-0	COMPRESSION SPRING 6		1				
039	187304-8	HOUSING SET		1				
D10		INC. 16						
040	135512-5	SLIDE PIPE ASSEMBLY		1	*			
D10		INC. 1-12			*			
040-1	135565-4	SLIDE PIPE ASSEMBLY	<	1	*			
D10		INC. 1-12			*			
040-2	135671-5	SLIDE PIPE ASSEMBLY	<	1	*			
D10		INC. 1-12			*			
040-3	135696-9	SLIDE PIPE ASSEMBLY	<	1				
D10		INC. 1-12						
A01	424474-5	SEALING CAP		5				

Please order the parts with part number.

Print Date 8/10/2020