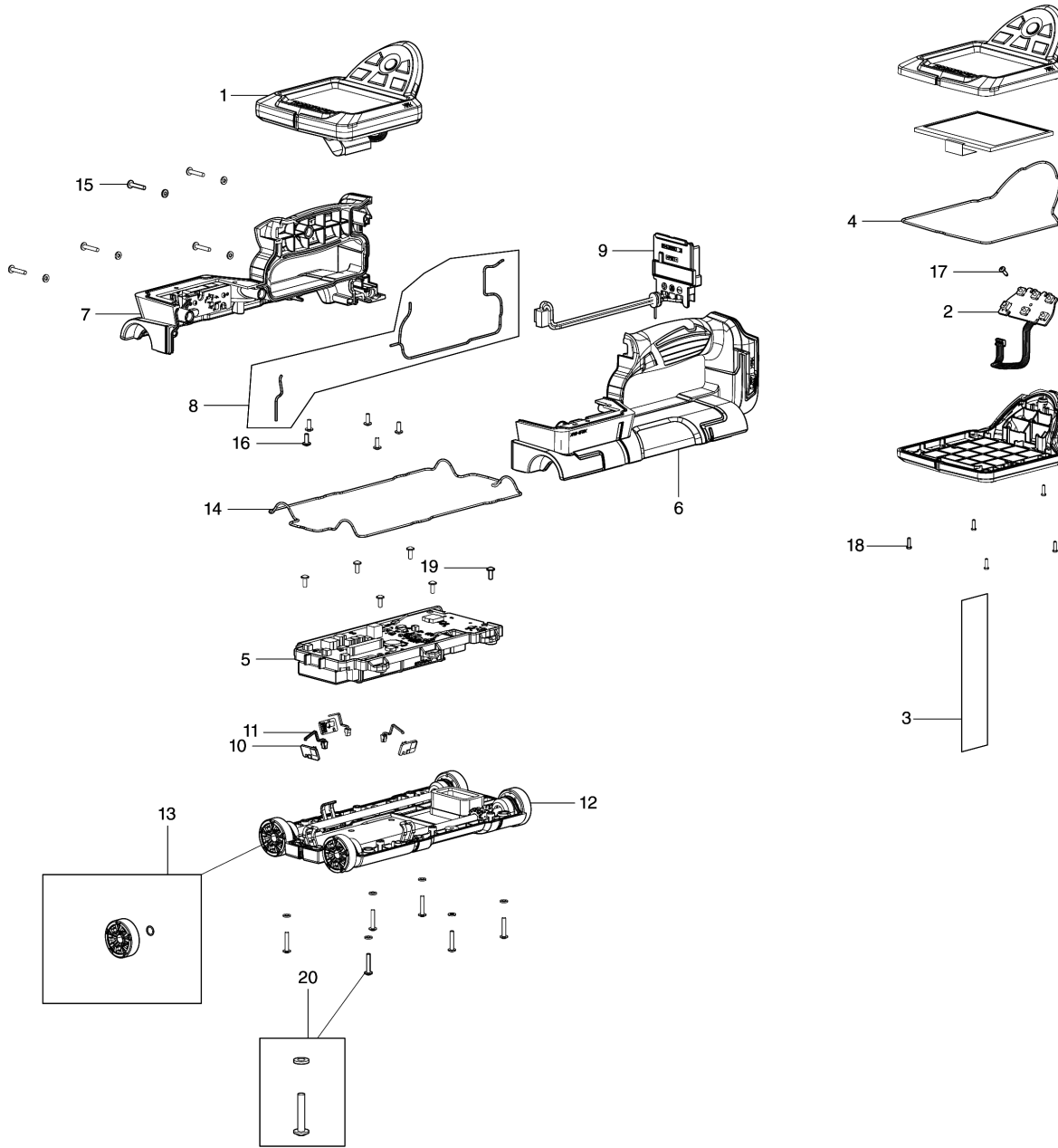


Model No.DWD181 RECHARGEABLE WALL SCANNER



Model No.DWD181 RECHARGEABLE WALL SCANNER

Item	Parts No.	Description	I/C	Qty	New/Old	Opt. 1	Opt. 2	Note
001	RN56427052	LCD ASSEMBLY		1				
002	RN28907880	SWITCH ASSEMBLY		1				
003	RN28907898	FFC		1				
004	RN28907901	PACKING A		1				
005	RN28907928	SENSOR ASSEMBLY		1				
006	RN28907944	CASE L ASSEMBLY		1				
007	RN28907960	CASE R ASSEMBLY		1				
008	RN28907979	PACKING B/C SET		1				
009	RN28907995	TERMINAL ASSEMBLY		1				
010	RN28908002	PCB,LED		3				
011	RN28908010	HARNESS SET,LED		3				
012	RN28908029	LOWER CASE ASSEMBLY		1				
013	RN28908037	WHEEL SET(4PCS.)		1				
014	RN28908045	PACKING D		1				
015	RN28908053	TAPPING SCREW 3X16		5				
016	RN28908061	TAPPING SCREW 3X8		5				
017	RN28929964	TAPPING SCREW 2.3X8		1				
018	RN28929964	TAPPING SCREW 2.3X8		5				
019	RN28908061	TAPPING SCREW 3X8		6				
020	RN28908053	TAPPING SCREW 3X16		6				
A01	821550-0	CONNECTOR PLASTIC CASE (TYPE2)		1				
C10	453974-8	LATCH		4				
A02	RN32741155	INNER TRAY		1				
A03	RN56427060	FRONT LABEL		1				
A04	RN56427079	SIDE LABEL		1				
E01	RN56427095	DWD181 NAME PLATE		1				
E02	RN56427125	DWD181 SERIAL NO. LABEL		1				

Please order the parts with part number.

Print Date 1/9/2020