



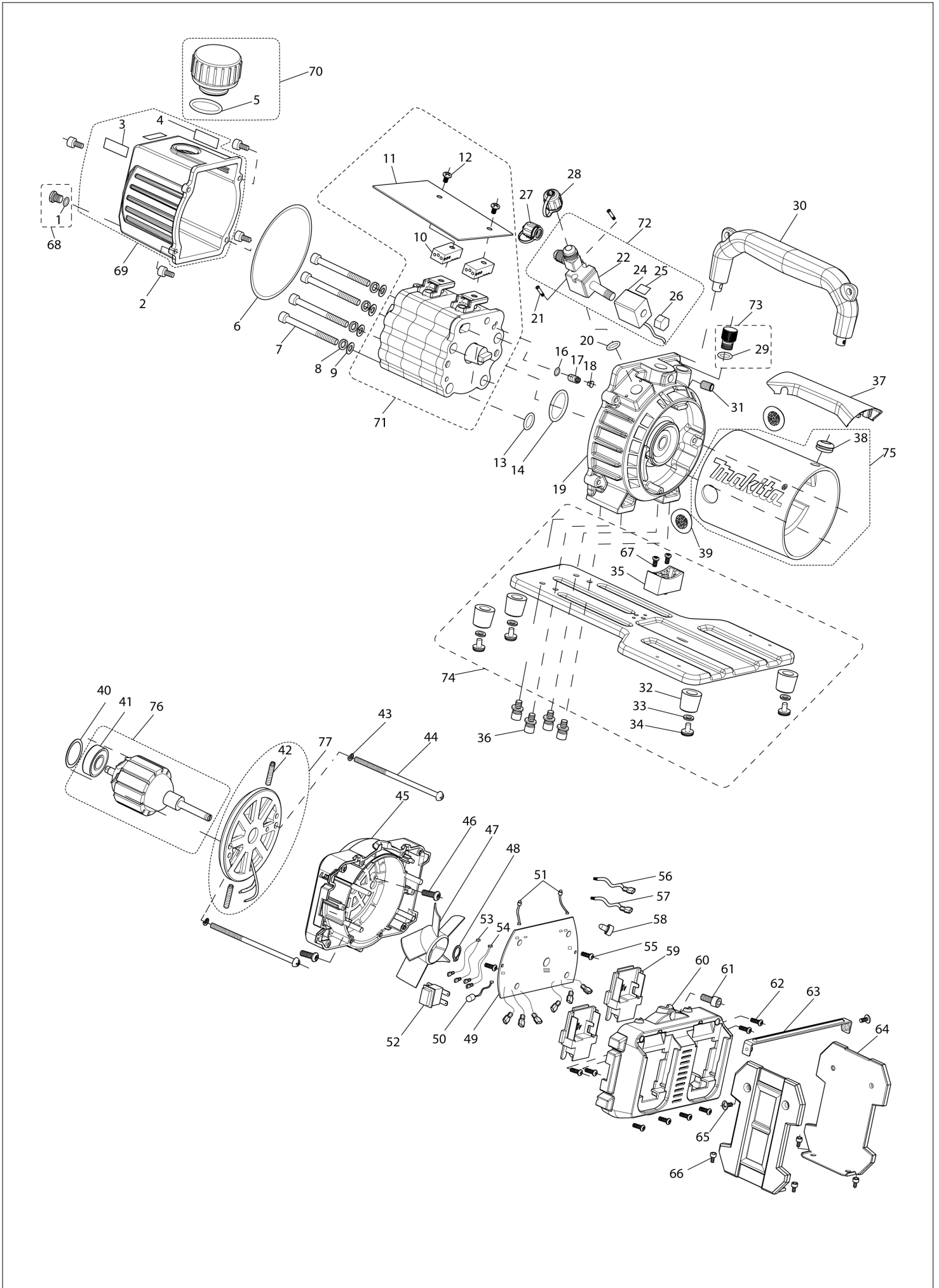
SE	SWEDEN
----	--------

# Diagram / Parts List

**DVP181**

**CORDLESS VACUUM PUMP**

# (SE) DVP181 / CORDLESS VACUUM PUMP



SE

SWEDEN

## DVP181 / CORDLESS VACUUM PUMP

Item	Sub	Parts No.	Parts Description	Qty	I/C	E/C No.	Close No.	Remark
001		AS000VP010	O-RING 10X2.5	1				
002		AS000VP011	HEXAGON BOLT M5X16	4				
003		AS00SS0537	CAUTION LABEL 18X18	1				
004		AS00SS0306	CAUTION LABEL (OIL)	1				
005		AS000VP013	O-RING 26X2.2	1				
006		AS000VP092	O-RING 120X3.1	1				
007		AS000VP093	HEX SOCKET HEAD BOLT M8X90	4				
008		AS000VP094	SPRING WASHER 8	4				
009		AS000VP095	FLAT WASHER 8	4				
010		AS000VP097	VALVE COVER	2				
011		AS000VP098	CAP BOARD	1				
012		AS000VP099	PAN HEAD SCREW M5X8	2				
013		AS000VP100	O-RING 12X1.6	1				
014		AS000VP101	O-RING 34.5X2	1				
016		AS000VP103	O-RING 13X2	1				
017		AS000VP104	SPRING 7X0.5X6	1				
018		AS000VP105	GAS BALLAST VALVE ELEMENT	1				
019		AS00VP106M	TRESTLE MA245	1				
020		AS000VP107	O-RING 15X2	1				
021		AS000VP173	PAN HEAD SCREW M3X25	2				
022		AS000VP109	SOLENOID VALVE ASSY	1				
024		AS000VP111	SOLENOID VALVE C1-18V COIL	1				
025		AS00SS0537	CAUTION LABEL 18X18	1				
026		AS000VP112	SOLENOID VALVE NUT	1				
027		AS000VP017	INLET PORT CAP (5/16")	1				
028		AS000VP113	INLET PORT CAP 4# (3/8SAE)	1				
029		AS000VP115	O-RING	1				
030		AS000VP117	HANDLE MA245	1				
031		AS000VP118	HEX SOCKET HEAD BOLT M8X8	1				
032		AS000VP121	RUBBER BLANKET 5#	4				
033		AS000VP122	FLAT WASHER	4				
034		AS000VP123	PAN HEAD SCREW M4X8	4				
035		AS000VP124	MOTOR SUPPORT	1				
036		AS000VP026	HEXAGON BOLT (W/WAHSER) M5X16	4				
037		AS000VP125	WIRING COVER	1				
038		AS000VP126	RUBBER RING	1				
039		AS000VP020	INLET PORT CAP	2				
040		AS000VP128	BEARING WASHER	1				
041		AS000VP130	BEARING 6201	1				
042		AS000VP132	CARBON BRUSH SPRING DC18V	2				
043		AS000VP027	SPRING WASHER M5	2				
044		AS000VP133	PAN HEAD SCREW M5X130	2				
045		AS000VP134	BATTERY HOLDER F	1				
046		AS000VP066	HEXAGON BOLT M5X12	2				
047		AS000VP135	FAN	1				
048		AS000VP136	CIRCLIP	1				
049		AS000VP137	CIRCUIT BOARD B8-18V	1				
050		AS000VP138	BUZZER	1				
051		AS000VP139	LED LAMP	2				
052		AS000VP140	SWITCH	1				
053		AS000VP141	WIRING ASSY L FOR SWITCH	1				
054		AS000VP142	WIRING ASSY S FOR SWITCH	1				
055		AS000VP035	TAPPING SCREW M3X10	2				
056		AS000VP143	RED CONNECTING LINE	1				
057		AS000VP144	BLACK CONNECTING LINE	1				
058		AS000VP145	CLOSED END SPLICE	2				
059		643899-6	TERMINAL	2				
060		AS000VP146	BATTERY HOLDER	1				
061		AS000VP147	HEX SOCKET HEAD BOLT M5X10	1				
062		AS000VP035	TAPPING SCREW M3X10	8				
063		AS000VP148	BATTERY GUARD CONNECTING ROD	1				
064		AS000VP149	BATTERY GUARD	2				
065		AS000VP123	PAN HEAD SCREW M4X8	2				
066		AS000VP174	HEX SOCKET HEAD BOLT M4X10	4				
067		AS000VP123	PAN HEAD SCREW M4X8	2				

Interchange

O : Yes

X : No

&lt; : the new part can be substituted for the current.

&gt; : the current part can be substituted for the new.

S : Interchangeable as a set.

