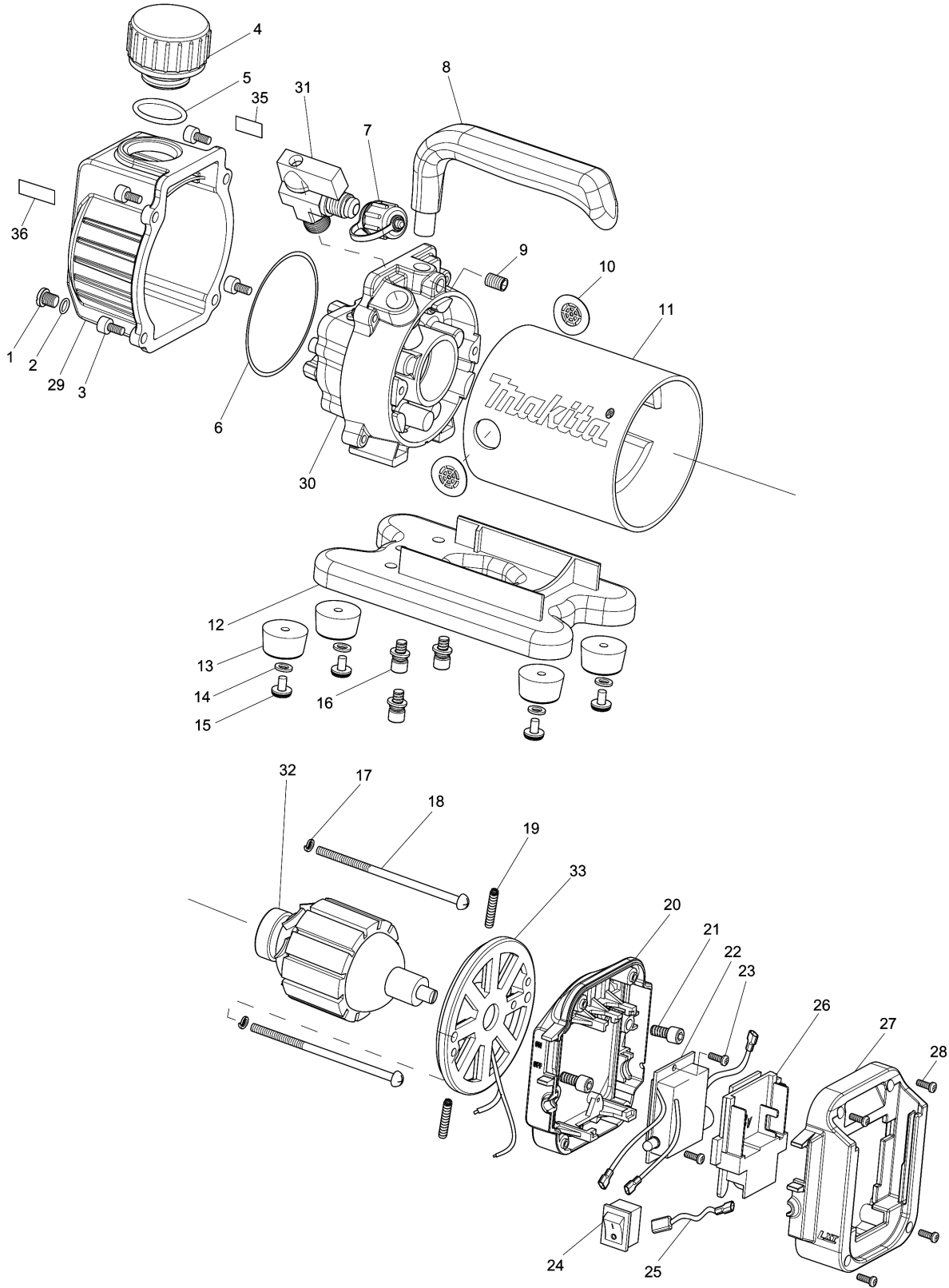


# Model No.DVP180 CORDLESS VACUUM PUMP





Model No.DVP180 CORDLESS VACUUM PUMP

| Item  | Parts No.  | Description                      | I/C | Qty | New/Old | Opt. 1 | Opt. 2 | Note |
|-------|------------|----------------------------------|-----|-----|---------|--------|--------|------|
| 001   | AS000VP009 | DRAIN PLUG M8X12                 |     | 1   |         |        |        |      |
| 002   | AS000VP010 | O-RING 10X2.5                    |     | 1   |         |        |        |      |
| 003   | AS000VP011 | HEXAGON BOLT M5X16               |     | 4   |         |        |        |      |
| 004   | AS000VP012 | OIL FILL/EXHAUST CAP             |     | 1   |         |        |        |      |
| D10   |            | INC. 5                           |     |     |         |        |        |      |
| 005   | AS000VP013 | O-RING 26X2.2                    |     | 1   |         |        |        |      |
| 006   | AS000VP014 | O-RING 95X3.1                    |     | 1   |         |        |        |      |
| 007   | AS000VP017 | INLET PORT CAP (5/16")           |     | 1   |         |        |        |      |
| 008   | AS000VP018 | HANDLE                           |     | 1   |         |        |        |      |
| 009   | AS000VP019 | HEXAGON BOLT M5X8                |     | 1   |         |        |        |      |
| 010   | AS000VP020 | INLET PORT CAP                   |     | 2   |         |        |        |      |
| 011   | AS00VP021M | MOTOR HOUSING                    |     | 1   |         |        |        |      |
| 012   | AS000VP022 | BASE                             |     | 1   |         |        |        |      |
| 013   | AS000VP023 | RUBBER BASE                      |     | 4   |         |        |        |      |
| 014   | AS000VP024 | WASHER 4.5X12X1.0                |     | 4   |         |        |        |      |
| 015   | AS000VP025 | TAPPING SCREW M4X1               |     | 4   |         |        |        |      |
| 016   | AS000VP026 | HEXAGON BOLT (W/WAHSER)<br>M5X16 |     | 3   |         |        |        |      |
| 017   | AS000VP027 | SPRING WASHER M5                 |     | 2   |         |        |        |      |
| 018   | AS000VP028 | PAN HEAD SCREW M5X100            |     | 2   |         |        |        |      |
| 019   | AS000VP029 | CARBON BRUSH SPRING              |     | 2   |         |        |        |      |
| 020   | AS000VP030 | BATTERY HOLDER (FRONT)           |     | 1   |         |        |        |      |
| 021   | AS000VP033 | HEXAGON BOLT M5X10               |     | 2   | *       |        |        |      |
| 021-1 | AS000VP066 | HEXAGON BOLT M5X12               | <   | 2   |         |        |        |      |
| 022   | AS000VP034 | CIRCUIT BOARD                    |     | 1   |         |        |        |      |
| 023   | AS000VP035 | TAPPING SCREW M3X10              |     | 2   |         |        |        |      |
| 024   | AS000VP036 | POWER SWITCH                     |     | 1   |         |        |        |      |
| 025   | AS000VP037 | LEAD WIRE                        |     | 1   |         |        |        |      |
| 026   | 643899-6   | TERMINAL                         |     | 1   |         |        |        |      |
| 027   | AS00VP039K | BATTERY HOLDER (REAR)            |     | 1   |         |        |        |      |
| 028   | AS000VP035 | TAPPING SCREW M3X10              |     | 4   |         |        |        |      |
| 029   | AS0VP008MK | OIL TANK ASS'Y                   |     | 1   |         |        |        |      |
| 030   | AS00VP015M | PUMP ASS'Y                       |     | 1   |         |        |        |      |
| 031   | AS000VP016 | INTAKE SHUT-OFF VALVE            |     | 1   |         |        |        |      |
| 032   | AS000VP031 | ARMATURE                         |     | 1   |         |        |        |      |
| 033   | AS000VP032 | MOTOR COVER (REAR)               |     | 1   |         |        |        |      |
| C10   | AS00VP071E | WIRE KIT & BRUSH/NOISE<br>FILTER |     | 1   |         |        |        |      |
| 035   | AS00SS0306 | CAUTION LABEL (OIL)              |     | 1   |         |        |        |      |
| 036   | AS00SS0305 | CAUTION LABEL (HEAT)             |     | 1   |         |        |        |      |
| A02   | AS0Y06110K | ADAPTER                          |     | 1   |         |        |        |      |
| A03   | AS00XP808M | VACUUM GAUGE                     |     | 1   |         |        |        |      |
| A04   | AS000AI158 | HOSE PACKING (6 PCS)             |     | 1   |         |        |        |      |

Please order the parts with part number.

Print Date 27/3/2020

