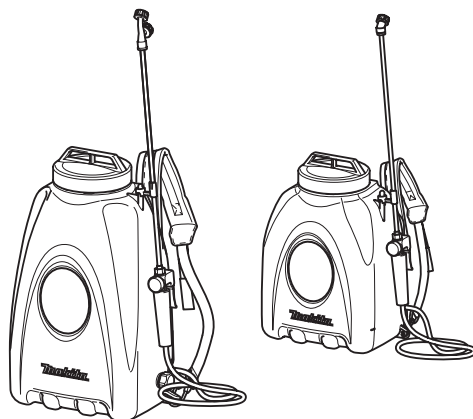


INSTRUCTION MANUAL



Cordless Garden Sprayer

DVF104
DVF154



Read before use.

SPECIFICATIONS

Model		DVF104		DVF154			
Pump type		Ceramic gear system					
Chemical tank capacity		10L		15L			
Tank drain		Without		With			
Spray valve		Integral grip lever					
Dimension (W X L X H)		315 mm x 225mm x 415 mm		345 mm x 235 mm x 525 mm			
Net weight		3.8 kg		4.1 kg			
Performance	Maximum pressure		0.3 Mpa				
	Discharge		Upright double-headed nozzle	0.8 L / min			
			Wide-angle herbicide nozzle	1.3 L / min			
	Continuous work time	Battery BL1815	Upright double-headed nozzle	60 min			
			Wide-angle herbicide nozzle	90 min			
		Battery BL1815N	Upright double-headed nozzle	73 min			
			Wide-angle herbicide nozzle	101 min			
		Battery BL1820/BL1820B	Upright double-headed nozzle	81min			
			Wide-angle herbicide nozzle	130min			
		Battery BL1830/BL1830B	Upright double-headed nozzle	125 min			
			Wide-angle herbicide nozzle	200 min			
		Battery BL1840/BL1840B	Upright double-headed nozzle	184 min			
			Wide-angle herbicide nozzle	268 min			
		Battery BL1850/BL1850B	Upright double-headed nozzle	225 min			
			Wide-angle herbicide nozzle	328 min			
		Battery BL1860B	Upright double-headed nozzle	272 min			
			Wide-angle herbicide nozzle	396 min			
		Rated voltage		D.C. 18 V		D.C. 18 V	

- Due to our continuing program of research and development, the specifications herein are subject to change without notice.
- Specifications and battery cartridge may differ from country to country.
- Weight, with battery cartridge, according to EPTA-Procedure 01/2003

Symbols

The followings show the symbols used for the equipment. Be sure that you understand their meaning before use.



Read instruction manual.



Do not use in rain.



Wear protective mask.



Wear protective gloves.



Ni-MH
Li-ion

Only for EU countries
Do not dispose of electric equipment or battery pack together with household waste material!
In observance of the European Directives, on Waste Electric and Electronic Equipment and Batteries and Accumulators and Waste Batteries and Accumulators and their implementation in accordance with national laws, electric equipment and batteries and battery pack(s) that have reached the end of their life must be collected separately and returned to an environmentally compatible recycling facility.

Intended use

The tool is intended for spraying agricultural and horticultural chemicals for pest and weed control.

Noise

The typical A-weighted noise level determined according to EN60745, EN50580:

Model DVF104

Sound pressure level (L_{pA}) : 70 dB(A) or less
Uncertainty (K) : 3 dB(A)

Model DVF154

Sound pressure level (L_{pA}) : 70 dB(A) or less
Uncertainty (K) : 3 dB(A)

The noise level under working may exceed 80 dB (A).

NOTE: The declared noise emission value(s) has been measured in accordance with a standard test method and may be used for comparing one tool with another.

NOTE: The declared noise emission value(s) may also be used in a preliminary assessment of exposure.

⚠WARNING: Wear ear protection.

⚠WARNING: The noise emission during actual use of the power tool can differ from the declared value(s) depending on the ways in which the tool is used especially what kind of workpiece is processed.

⚠WARNING: Be sure to identify safety measures to protect the operator that are based on an estimation of exposure in the actual conditions of use (taking account of all parts of the operating cycle such as the times when the tool is switched off and when it is running idle in addition to the trigger time).

Vibration

The vibration total value (tri-axial vector sum) determined according to EN60745, EN50580:

Model DVF104

Vibration emission (a_h) : 2.5 m/s² or less
Uncertainty (K) : 1.5 m/s²

Model DVF154

Vibration emission (a_h) : 2.5 m/s² or less
Uncertainty (K) : 1.5 m/s²

NOTE: The declared vibration total value(s) has been measured in accordance with a standard test method and may be used for comparing one tool with another.

NOTE: The declared vibration total value(s) may also be used in a preliminary assessment of exposure.

⚠WARNING: The vibration emission during actual use of the power tool can differ from the declared value(s) depending on the ways in which the tool is used especially what kind of workpiece is processed.

⚠WARNING: Be sure to identify safety measures to protect the operator that are based on an estimation of exposure in the actual conditions of use (taking account of all parts of the operating cycle such as the times when the tool is switched off and when it is running idle in addition to the trigger time).

General Power Tool Safety Warnings

⚠WARNING Read all safety warnings and all instructions. Failure to follow the warnings and instructions may result in electric shock, fire and/or serious injury.

Save all warnings and instructions for future reference.

The term "power tool" in the warnings refers to your mains-operated (corded) power tool or battery-operated (cordless) power tool.

Work area safety

1. **Keep work area clean and well lit.** Cluttered or dark areas invite accidents.
2. **Do not operate power tools in explosive atmospheres, such as in the presence of flammable liquids, gases or dust.** Power tools create sparks which may ignite the dust or fumes.
3. **Keep children and bystanders away while operating a power tool.** Distractions can cause you to lose control.

Electrical safety

4. **Power tool plugs must match the outlet. Never modify the plug in any way. Do not use any adapter plugs with earthed (grounded) power tools.** Unmodified plugs and matching outlets will reduce risk of electric shock.
5. **Avoid body contact with earthed or grounded surfaces such as pipes, radiators, ranges and refrigerators.** There is an increased risk of electric shock if your body is earthed or grounded.
6. **Do not expose power tools to rain or wet conditions.** Water entering a power tool will increase the risk of electric shock.

7. **Do not abuse the cord. Never use the cord for carrying, pulling or unplugging the power tool. Keep cord away from heat, oil, sharp edges or moving parts.** Damaged or entangled cords increase the risk of electric shock.
8. **When operating a power tool outdoors, use an extension cord suitable for outdoor use.** Use of a cord suitable for outdoor use reduces the risk of electric shock.
9. **If operating a power tool in a damp location is unavoidable, use a ground fault circuit interrupter (GFCI) protected supply.** Use of an GFCI reduces the risk of electric shock.
21. **Maintain power tools. Check for misalignment or binding of moving parts, breakage of parts and any other condition that may affect the power tool's operation. If damaged, have the power tool repaired before use.** Many accidents are caused by poorly maintained power tools.
22. **Keep cutting tools sharp and clean.** Properly maintained cutting tools with sharp cutting edges are less likely to bind and are easier to control.
23. **Use the power tool, accessories and tool bits etc. in accordance with these instructions, taking into account the working conditions and the work to be performed.** Use of the power tool for operations different from those intended could result in a hazardous situation.

Personal safety

10. **Stay alert, watch what you are doing and use common sense when operating a power tool. Do not use a power tool while you are tired or under the influence of drugs, alcohol or medication.** A moment of inattention while operating power tools may result in serious personal injury.
11. **Use personal protective equipment. Always wear eye protection.** Protective equipment such as dust mask, non-skid safety shoes, hard hat, or hearing protection used for appropriate conditions will reduce personal injuries.
12. **Prevent unintentional starting. Ensure the switch is in the off-position before connecting to power source and/or battery pack, picking up or carrying the tool.** Carrying power tools with your finger on the switch or energising power tools that have the switch on invites accidents.
13. **Remove any adjusting key or wrench before turning the power tool on.** A wrench or a key left attached to a rotating part of the power tool may result in personal injury.
14. **Do not overreach. Keep proper footing and balance at all times.** This enables better control of the power tool in unexpected situations.
15. **Dress properly. Do not wear loose clothing or jewellery. Keep your hair, clothing, and gloves away from moving parts.** Loose clothes, jewellery or long hair can be caught in moving parts.
16. **If devices are provided for the connection of dust extraction and collection facilities, ensure these are connected and properly used.** Use of dust collection can reduce dust-related hazards.

Power tool use and care

17. **Do not force the power tool. Use the correct power tool for your application.** The correct power tool will do the job better and safer at the rate for which it was designed.
18. **Do not use the power tool if the switch does not turn it on and off.** Any power tool that cannot be controlled with the switch is dangerous and must be repaired.
19. **Disconnect the plug from the power source and/or the battery pack from the power tool before making any adjustments, changing accessories, or storing power tools.** Such preventive safety measures reduce the risk of starting the power tool accidentally.
20. **Store idle power tools out of the reach of children and do not allow persons unfamiliar with the power tool or these instructions to operate the power tool.** Power tools are dangerous in the hands of untrained users.

Battery tool use and care

24. **Recharge only with the charger specified by the manufacturer.** A charger that is suitable for one type of battery pack may create a risk of fire when used with another battery pack.
25. **Use power tools only with specifically designated battery packs.** Use of any other battery packs may create a risk of injury and fire.
26. **When battery pack is not in use, keep it away from other metal objects, like paper clips, coins, keys, nails, screws or other small metal objects, that can make a connection from one terminal to another.** Shorting the battery terminals together may cause burns or a fire.
27. **Under abusive conditions, liquid may be ejected from the battery; avoid contact. If contact accidentally occurs, flush with water. If liquid contacts eyes, additionally seek medical help.** Liquid ejected from the battery may cause irritation or burns.

Service

28. **Have your power tool serviced by a qualified repair person using only identical replacement parts.** This will ensure that the safety of the power tool is maintained.
29. **Follow instruction for lubricating and changing accessories.**
30. **Keep handles dry, clean and free from oil and grease.**

SPRAYER SAFETY WARNINGS

Safety Warnings for Spraying Operation:

1. **Do not use the sprayer for any other purpose than spraying agricultural and horticultural chemicals for pest and weed control.**
2. **Do not use the sprayer for spraying flammable materials.**
3. **Be aware of any hazards presented by the material being sprayed. Consult the markings on the container or the information supplied by the manufacturer of the material to be sprayed.**
4. **Do not spray any material where the hazard is not known.**
5. **Concerning the use of chemical sprays, be sure to thoroughly read the chemical instructions, in order to become fully acquainted with toxicities and usage methods.**
6. **If chemical comes into contact with skin, immediately wash thoroughly with soap.**

7. Firmly close chemical tank lid to prevent leaking.
8. Never transfer chemical to another container.
9. Always thoroughly wash empty chemical containers when mixing spray liquid and then follow chemical manufacturer's instructions to correctly dispose of containers at all times.
10. Before using the sprayer, be sure to check there are no abnormalities, such as displacement of packing from connector, looseness of screws, missing components, and/or cracked/worn/damaged hose.
Using an incomplete sprayer may cause an accident and/or injury.
11. People not involved in spraying should refrain from approaching the worksite during spraying.
12. When transporting a chemical-loaded sprayer by vehicle, there is a risk of leaking, so always firmly tighten the chemical tank lid, and secure the sprayer in an upright position.
13. Never use items such as strongly acidic chemicals, paints, thinners, gasoline or benzene with the sprayer, as there is a danger of burns or fire.
14. Do not clean the sprayer with flammable solvents.
15. Be sure to select the appropriate chemical (taking into consideration usage method and effectiveness) to deal with the pest or weed in question.
16. An inappropriately mixed chemical may harm humans as well as damage crops/plants. When mixing chemical, thoroughly read chemical instructions, and dilute chemical correctly prior to use.
17. Always mix chemical before loading it into tank.
18. To prevent inhalation and/or contact with chemical, be sure to wear safety clothing (hat, protective goggles, protective mask, rubber gloves, long-sleeved pest-control jacket, long trousers and gumboots), so that skin is not exposed when spraying.
19. Always load the tank with chemical or clean water when operating the sprayer, as operating the sprayer with an empty tank may damage the pump.
20. If the sprayer stops running, or an abnormal sound is emitted, immediately switch OFF the sprayer, and discontinue use.
21. Constantly be aware of wind direction while spraying, to ensure spraying from upwind to downwind, in order to prevent direct chemical contact with body. Also, be careful to keep chemical from reaching surroundings, and stop using the sprayer when the wind is strong.
22. As there is a risk of chemical poisoning when spraying in a greenhouse, always ventilate while spraying.
23. Avoid spraying when atmospheric temperature is high.
24. Avoid prolonged operation of sprayer. Whenever possible, rotate operators.
25. If even a slight headache or dizziness, etc., occurs, stop spraying work immediately, and consult a doctor. Moreover, be sure to clearly inform the doctor of the name of the agrochemical being used, and the operating circumstances.
26. In cases where spray status deteriorates and nozzle needs cleaning, there is a risk of the chemical liquid coming into contact with the face, so be sure to switch OFF the sprayer, and then remove the nozzle to clean.
27. Be sure to dispose of wastewater generated from washing used containers and chemical tank appropriately in a location where it will not flow into rivers and streams and/or contaminate groundwater.
28. After spraying, if chemical remains in the chemical tank, spray hose, spray pipe and nozzle, it may cause spray injury. Be sure to fully wash away residual chemical with clean water - in particular, after spraying with herbicide.
29. Keep agrochemicals away from children. Be sure to store residual chemicals in chemical-designated storage containers.
30. After completion of spraying, be sure to wash (spray wash) equipment with clean water, drain off the washing water, and store indoors away from direct sunlight and freezing temperatures, and out of reach of children.
31. After completion of spraying, be sure to thoroughly wash entire body with soap, rinse eyes, and gargle. During spraying period, change clothes daily.

SAVE THESE INSTRUCTIONS.

⚠WARNING: DO NOT let comfort or familiarity with product (gained from repeated use) replace strict adherence to safety rules for the subject product. MISUSE or failure to follow the safety rules stated in this instruction manual may cause serious personal injury.

IMPORTANT SAFETY INSTRUCTIONS

FOR BATTERY CARTRIDGE

1. Before using battery cartridge, read all instructions and cautionary markings on (1) battery charger, (2) battery, and (3) product using battery.
2. Do not disassemble battery cartridge.
3. If operating time has become excessively shorter, stop operating immediately. It may result in a risk of overheating, possible burns and even an explosion.
4. If electrolyte gets into your eyes, rinse them out with clear water and seek medical attention right away. It may result in loss of your eyesight.

5. **Do not short the battery cartridge:**
 - (1) **Do not touch the terminals with any conductive material.**
 - (2) **Avoid storing battery cartridge in a container with other metal objects such as nails, coins, etc.**
 - (3) **Do not expose battery cartridge to water or rain.**

A battery short can cause a large current flow, overheating, possible burns and even a breakdown.

6. **Do not store the tool and battery cartridge in locations where the temperature may reach or exceed 50°C (122°F).**
7. **Do not incinerate the battery cartridge even if it is severely damaged or is completely worn out. The battery cartridge can explode in a fire.**
8. **Be careful not to drop or strike battery.**
9. **Do not use a damaged battery.**
10. **The contained lithium-ion batteries are subject to the Dangerous Goods Legislation requirements.**
 For commercial transports e.g. by third parties, forwarding agents, special requirement on packaging and labeling must be observed.
 For preparation of the item being shipped, consulting an expert for hazardous material is required. Please also observe possibly more detailed national regulations.
 Tape or mask off open contacts and pack up the battery in such a manner that it cannot move around in the packaging.
11. **Follow your local regulations relating to disposal of battery.**

SAVE THESE INSTRUCTIONS.

⚠CAUTION: Only use genuine Makita batteries. Use of non-genuine Makita batteries, or batteries that have been altered, may result in the battery bursting causing fires, personal injury and damage. It will also void the Makita warranty for the Makita tool and charger.

Tips for maintaining maximum battery life

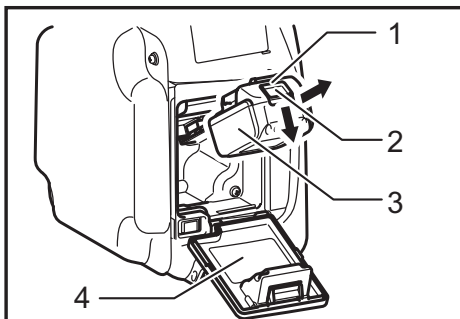
1. **Charge the battery cartridge before completely discharged.**
Always stop tool operation and charge the battery cartridge when you notice less tool power.
2. **Never recharge a fully charged battery cartridge.**
Overcharging shortens the battery service life.
3. **Charge the battery cartridge with room temperature at 10°C - 40°C (50°F - 104°F).** Let a hot battery cartridge cool down before charging it.
4. **Charge the battery cartridge if you do not use it for a long period (more than six months).**

FUNCTIONAL DESCRIPTION

⚠CAUTION:

- Always be sure that the tool is switched off and the battery cartridge is removed before adjusting or checking function on the tool.

Installing or removing battery cartridge

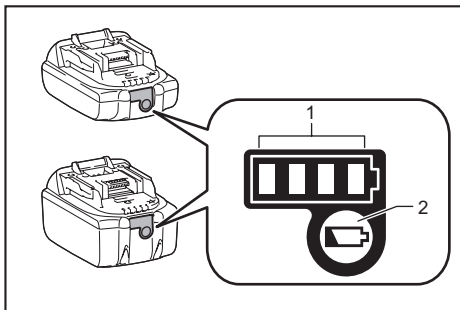


- 1. Red indicator 2. Button 3. Battery cartridge
 4. Battery pack cover

- Open Garden Sprayer's battery pack cover.
- Always switch off the tool before insertion or removal of the battery cartridge.
- To remove the battery cartridge, withdraw it from the tool while sliding the button on the front of the cartridge.
- To insert the battery cartridge, align the tongue on the battery cartridge with the groove in the housing and slip it into place. Always insert it all the way until it locks in place with a little click. If you can see the red part on the upper side of the button, it is not locked completely. Insert it fully until the red part cannot be seen. If not, it may accidentally fall out of the tool, causing injury to you or someone around you.
- Do not use force when inserting the battery cartridge. If the cartridge does not slide in easily, it is not being inserted correctly.

Indicating the remaining battery capacity

Only for battery cartridges with the indicator



- 1. Indicator lamps 2. Check button

Press the check button on the battery cartridge to indicate the remaining battery capacity. The indicator lamps light up for a few seconds.

Indicator lamps			Remaining capacity
Lighted	Off	Blinking	
	■ ■ ■ ■		75% to 100%
	■ ■ ■ □		50% to 75%
	■ ■ □ □		25% to 50%
	■ □ □ □		0% to 25%
▣	□ □ □ □		Charge the battery.
■ ■ □ □	□ □		The battery may have malfunctioned.
□ □ ■ ■	↑ ↓		

NOTE: Depending on the conditions of use and the ambient temperature, the indication may differ slightly from the actual capacity.

NOTE:

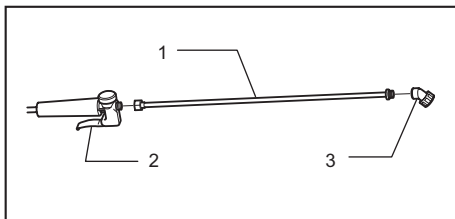
- All connector units use packing. Before assembly, always check to see that the units have packing.
- Check to make sure that the spray hose is not cracked, worn and/or damaged.
- Firmly tighten on the spray pipe to prevent liquid leaks.
- If there is a leak from a connector unit, tighten further using a hand tool (by approximately 45 degrees).
- Do not use a spray pipe that is longer than the standard one provided. Doing so may cause leaking from connector units.

ASSEMBLY

CAUTION:

- Always be sure that the tool is switched off and the battery cartridge is removed before carrying out any work on the tool.

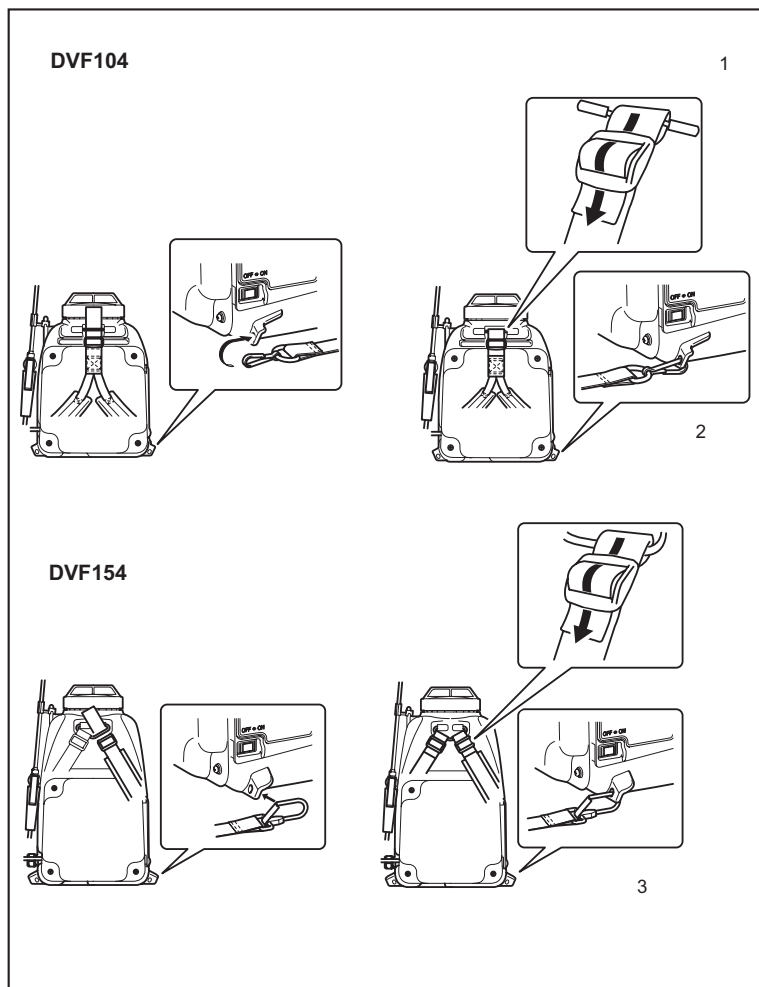
Spray pipe and nozzle assembly method



► 1. Spray pipe 2. lever cock 3. Nozzle

- As shown in the figure, assemble spray pipe and then nozzle onto lever cock.
- Adjust direction of nozzle using nut on spray pipe.
- Firmly attach components to ensure there is no leaking.
- Select nozzle according to type of spraying to be done.

Back strap attaching method



- 1. Pass the belt part of the back strap through the slot on the sprayer 2. Clip on back strap hooks 3. Clip on back strap hooks

Use the figure pointers to attach the back strap at top and bottom, making sure there are no twists in the strap.

NOTE:

- Check to make sure that back strap is securely attached to chemical tank.

OPERATION

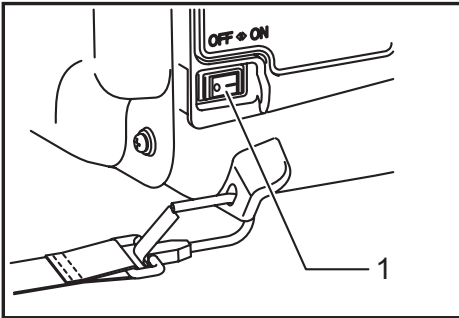
⚠ CAUTION:

- Before inserting the battery cartridge into the tool, always check to see that the tool is switched off.

Spraying

⚠ CAUTION:

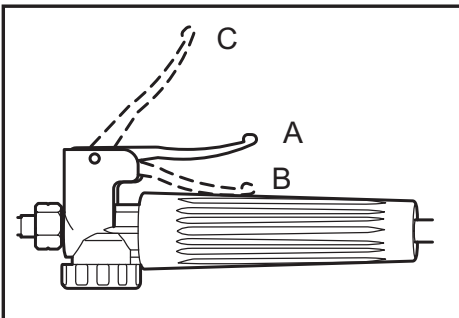
- To prevent sudden spraying, be sure to set the lever cock to STOP, before turning sprayer switch ON or OFF.
- When spray work is interrupted, be sure to turn switch OFF, to prevent inadvertent spraying.



► 1. Switch

Be sure to check the situation of surroundings before turning sprayer switch ON.
Operate lever cock to spray.
Once spraying is complete, immediately set lever cock to STOP, and then turn sprayer switch OFF.

How to use lever cock



1. Position "A" is the STOP position.
2. Position "B" is the spray position. Release the lever, and it will return to position "A" and spraying will stop. (Intermittent spraying)
3. Position "C" is the continuous spray position. (Continuous spraying)

NOTE:

- Check to make sure the tank is loaded with chemical or clean water when operating the sprayer, as continued operation of the sprayer with an empty tank may burn out the pump.
- Running the sprayer for prolonged periods with the lever cock closed may have an adverse effect on the pump as well as drain the battery. Be sure to turn sprayer switch OFF whenever possible.
- If spray splutters, or pumps suddenly screeches, the chemical tank is empty, so immediately turn sprayer switch OFF.
- Do not spray with the battery cover open and/ or with the back-support cushioning removed, as there is a risk of damage to electrical system. Moreover, do not spray pointing the spray nozzle at the sprayer.
- Do not forcibly handle the lever cock and/or the spray pipe.

Mixing chemical

⚠ CAUTION:

- Never use Kelthane water dispersible powder (acaricide) because it tends to harden due to heat generated by pump during operation, which causes the pump to stop. Use a Kelthane emulsion, Akar emulsion or Osadan water dispersible powder as the acaricide.
- When using a water dispersible powder or lime sulfur, be sure to dissolve well prior to use.
- Take maximum care when handling chemicals. Wash away thoroughly if chemical comes into contact with body.
- Chemicals are harmful. Always adhere to chemical manufacturer instructions when handling chemicals.
- See the following chart for ratio information that is useful when diluting chemicals.
- Never spray chemicals undiluted.
- When using a water dispersible powder, etc., dissolve thoroughly in a container such as a bucket.

Water	Chemical	Dilution ratio		
		500	1,000	2,000
4 L		8 mL	4 mL	2 mL
6 L		12 mL	6 mL	3 mL
8 L		16 mL	8 mL	4 mL
10 L		20 mL	10 mL	5 mL
12 L		24 mL	12 mL	6 mL
15 L		30 mL	15 mL	7.5 mL

Chemical replenishment

⚠ WARNING:

- When changing chemical, be sure to carefully wash the tank, pump, and nozzle, etc. with clean water. Residue of the previous chemical may cause a spray injury. Moreover, if chemicals mix, a chemical change may occur, with the danger of generating a toxic gas.
- Be sure to wear protective gloves.
- Do not change chemical in poorly ventilated locale. (prevent chemical poisoning)

Check to make sure the sprayer switch is OFF and replenish chemical tank with mixed chemical.

When filling tank with chemical, always strain chemical through equipped tank strainer.

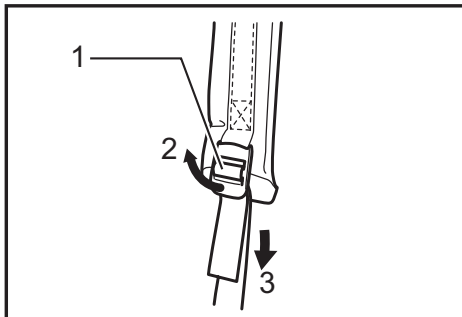
The side of the chemical tank is marked with scale divisions, so be sure to use these as operation guidelines. Firmly tighten chemical tank lid to prevent leaking.

Back strap adjustment

Adjust back strap to a length that brings the sprayer as close to the body as feasibly possible.

Lengthening strap

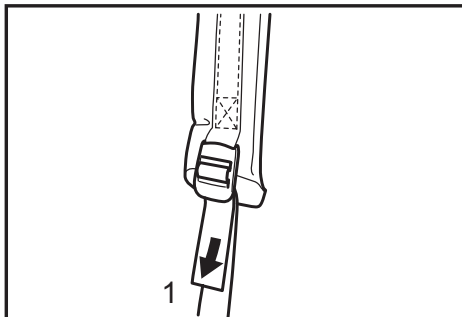
- (1) Lift up buckle.
- (2) Pull the belt on the side connected to the sprayer.



- 1. Buckle 2. Lift up buckle 3. Pull

Shortening strap

Pull the belt on the free side.



- 1. Pull

NOTE: When shortening the strap, it will move relatively easily if there is no weight exerted on the strap.

MAINTENANCE

⚠ CAUTION:

- Always be sure that the tool is switched off and the battery cartridge is removed before attempting to perform inspection or maintenance.
- For inspection and maintenance, always wear protective gloves.
- Never use gasoline, benzine, thinner, alcohol or the like. Discoloration, deformation or cracks may result.

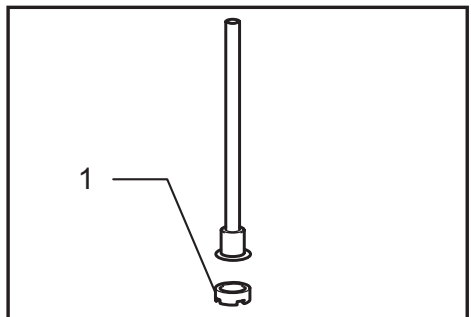
After-use maintenance

- After use, remove residual liquid from chemical tank, and wash away clinging chemical from inside of tank using clean water.
- Now fill up chemical tank with clean water and run the sprayer for 2 to 3 minutes to wash out residual chemical from the pump, hose, and nozzle, etc.
- Remove the residual liquid from inside the chemical tank, restart the pump, and run the sprayer until residual liquid ceases to come out of the nozzle, and then turn sprayer switch OFF.
- Wipe away moisture and dirt from equipment, and then check for damage and leaks.

Daily checks

- Before work, check to see whether or not fastened units are loose and components are missing.
- Check to make sure the spray hose is not cracked, worn and/or damaged.
- After use, always be sure to wipe dirt off of exterior, and to check for damage and/or leaks.

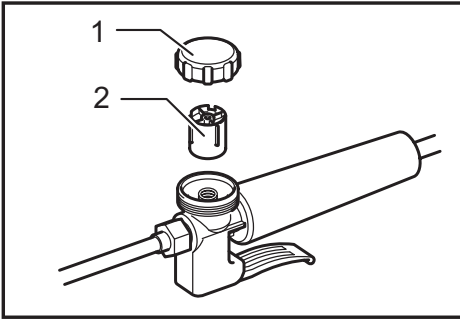
Cleaning water absorption strainer



- 1. Water absorption strainer

After removing chemical from tank, remove the water absorption strainer at the bottom of the tank, and clean it.

Cleaning lever cock strainer



► 1. Lever cock cap 2. Strainer

Remove lever cock cap and clean strainer.

NOTE: Water absorption strainer

- This is a filter used to prevent dirt and dust (that for some reason has got passed the tank strainer into the tank) from getting into the pump. If the water absorption strainer becomes blocked, spraying will deteriorate, and there is a risk of the pump being adversely affected.

Lever cock strainer

- Spraying deteriorates if the lever cock strainer becomes blocked.

Sprayer storage

- Wash the equipment using the after-use maintenance procedures.
- In particular, when storing during the winter season, breakdown or damage may occur due to freezing of residual chemical and/or washing water in the pump. Run the pump until all residual liquid has exited from the nozzle, check to make sure there is no more residual liquid, turn the sprayer switch OFF, and then store the sprayer away.

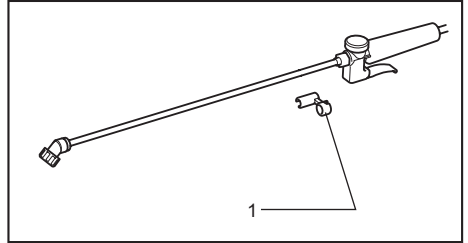
CAUTION: Store the Garden Sprayer out of reach of children, in an indoor locale that does not freeze, is away from direct sunlight, and has good ventilation.

- Take full care in storing the sprayer, as, in some cases, the plastic components will deteriorate markedly if left in direct sunlight for a prolonged period; moreover, product caution labels will discolor and/or come off.

Useful Tips

Spray pipe holder

Be sure to attach the holder in the right direction.

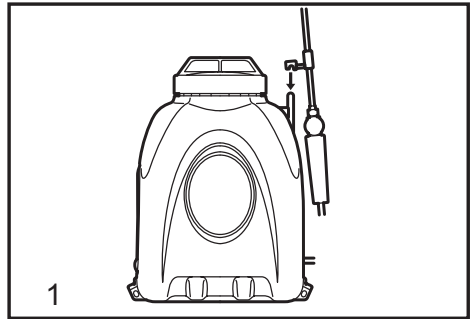


► 1. Spray pipe holder

NOTE:

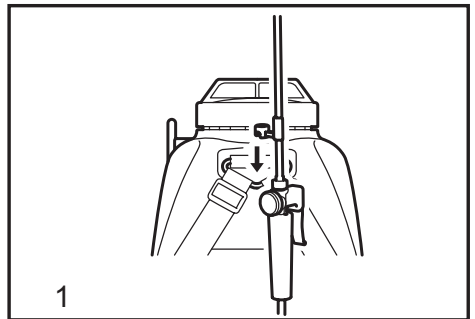
- For configuration reasons, force is required in the attaching process, but care should be taken not to bend the spray pipe.

Use the holder when taking a rest, replenishing chemical liquid, and at times of storage, etc.



► 1. Hooking holder onto post on shoulder of tank

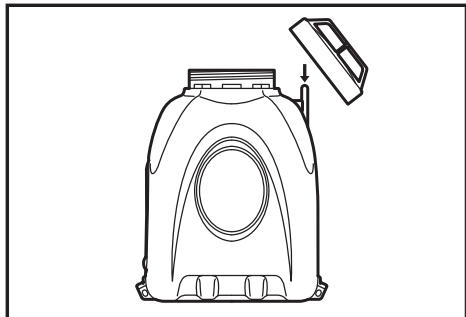
For Model DVF154 only



► 1. Hooking holder onto metal ring of back strap

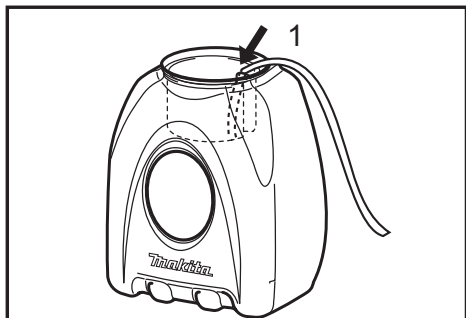
Chemical tank holder post

The holder post also serves as a temporary holder for the chemical tank lid, so please hook it onto this post.



Tank strainer

Hands can be freed up by inserting the water hose in the useful notched section of the tank strainer.



► 1. Insert water hose here

Main plant diseases and pests

Always adhere to chemical manufacturer instructions when handling chemicals. Thoroughly dissolve chemical prior to use.

What to do if you think there is a breakdown

Before asking for repairs, first, conduct your own inspection. If you find a problem that is not explained in the manual, do not rashly dismantle the sprayer. Instead, ask Makita Authorized Service Centers, always using Makita replacement parts.

Malfunction status		Cause	Action
Motor (pump) will not work	Switch OFF	The switch is OFF	Turn switch ON
	Switch ON	Battery problem (under voltage)	Recharge If recharging is not effective, replace battery.
		Wiring connector is disconnected	Request an overhaul
		Wiring break	Request an overhaul
		Switch breakdown	Request an overhaul
		Motor breakdown	Request an overhaul
		Blown fuse	Request an overhaul
Pump is working but spray is not coming out	Blocked nozzle	Clean or replace	
	No liquid in chemical tank	Replenish	
	Chemical tank lid's blowhole is blocked	Clean	
	Blocked piping	Request an overhaul	
	Broken or cracked piping	Request an overhaul	
	Disconnected or broken piping	Request an overhaul	
	Blocked water absorption strainer	Remove and clean	

Malfunction status	Cause	Action
Sprayer sprays but is abnormal or spray pressure is weak	Chemical tank lid's blowhole is blocked	Clean
	Blocked piping	Request an overhaul
	Broken or cracked piping	Request an overhaul
	Disconnected or broken piping	Request an overhaul
	Blocked water absorption strainer	Remove and clean
	Blocked lever cock strainer	Remove and clean
	Abnormal pressure regulator	Request an overhaul
	Worn gear case	Request an overhaul
A strange sound is emitted when switch is turned ON	Coupling that drives pump is broken	Request an overhaul
	Blocked nozzle	Clean or replace
When sprayer is left after being switched OFF, a large amount of liquid flows out of the nozzle	Lever cock is set to continuous spray	Set lever cock to STOP

To maintain product SAFETY and RELIABILITY, repairs, any other maintenance or adjustment should be performed by Makita Authorized Service Centers, always using Makita replacement parts.

OPTIONAL ACCESSORIES

CAUTION:

- These accessories or attachments are recommended for use with your Makita tool specified in this manual. The use of any other accessories or attachments might present a risk of injury to persons. Only use accessory or attachment for its stated purpose.

If you need any assistance for more details regarding these accessories, ask your local Makita Service Center.

- Various nozzles
- Makita genuine battery and charger

NOTE:

- Some items in the list may be included in the tool package as standard accessories. They may differ from country to country.

Makita Corporation

3-11-8, Sumiyoshi-cho,
Anjo, Aichi 446-8502 Japan

www.makita.com

885323A928 EN 20181022
