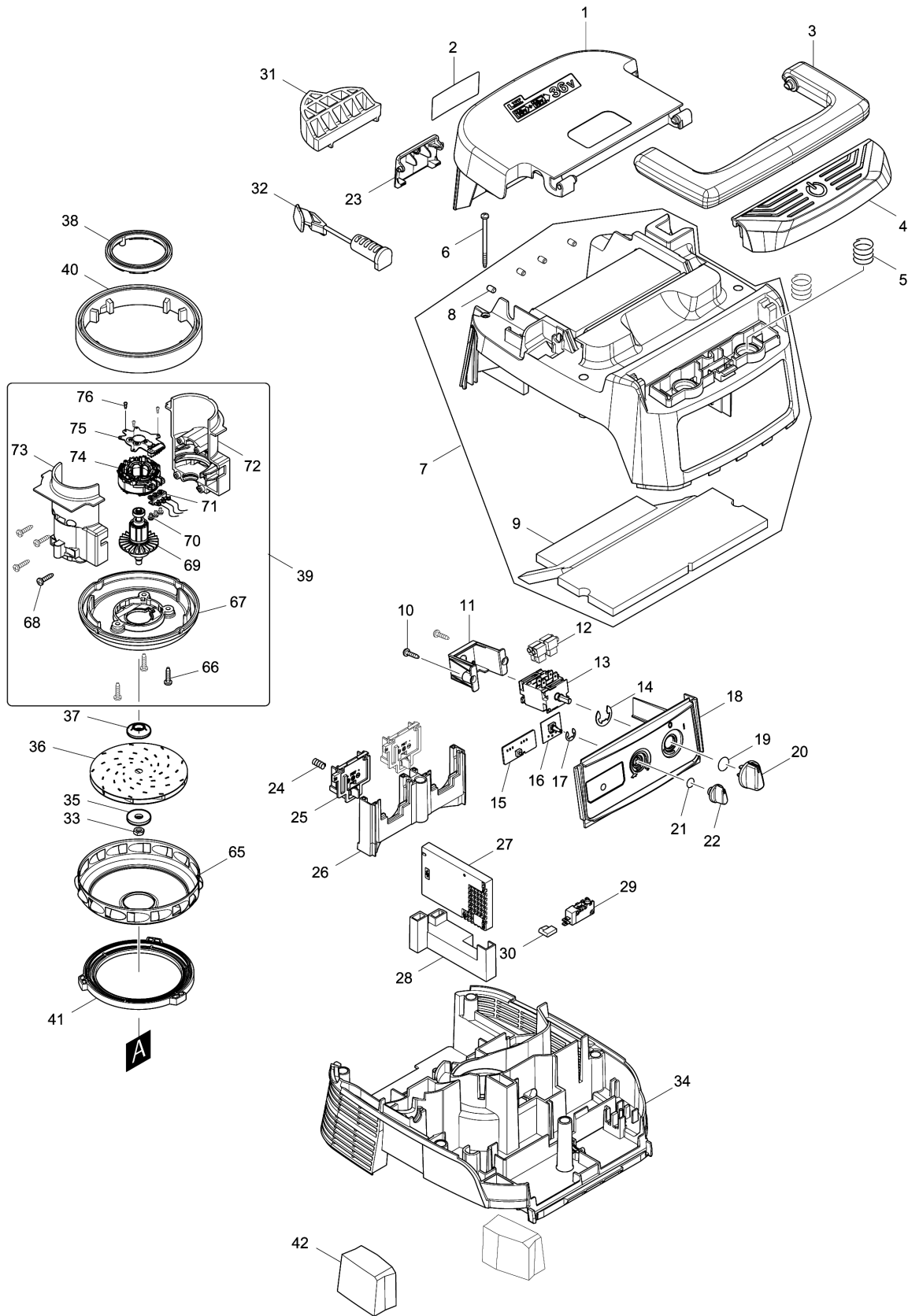
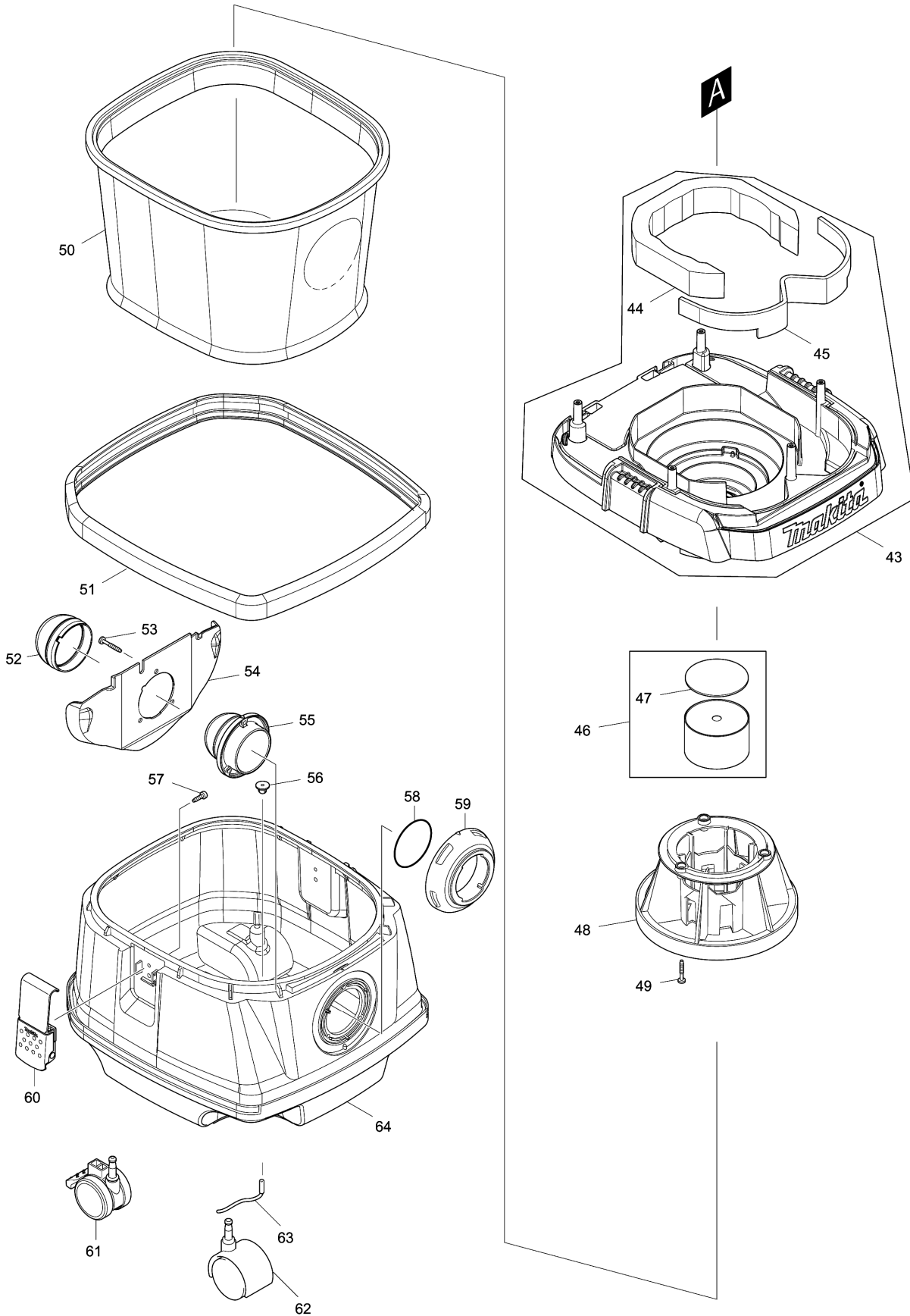


Model No.DVC862L CORDLESS VACUUM CLEANER



Model No.DVC862L CORDLESS VACUUM CLEANER



Model No.DVC862L CORDLESS VACUUM CLEANER

Item	Parts No.	Description	I/C	Qty	New/Old	Opt. 1	Opt. 2	Note
001	143174-5	BATTERY COVER COMPLETE		1				
C10	891977-8	CAUTION LABEL		1				
002	853B24-5	DVC862L NAME PLATE		1				
003	455734-4	GRIP		1				
004	455730-2	SWITCH BUTTON		1	*			
004-1	459262-1	SWITCH BUTTON	<	1				
005	234273-5	COMPRESSION SPRING 20		2				
006	266340-8	TAPPING SCREW 4X65		6				
007	144409-7	COWLING COMPLETE		1				
D10		INC. 8,9						
008	263005-3	RUBBER PIN 6		4				
009	424688-6	TOP DAMPER		1				
010	266326-2	TAPPING SCREW 4X18		2				
011	451343-7	SWITCH HOLDER		1				
012	686023-8	RECEPTACLE SLEEVE		4				
013	650622-2	SWITCH		1				
014	961062-2	STOP RING E-12		1				
015	620649-6	LED CIRCUIT		1				
016	631922-9	SUB CONTROLLER		1				
017	961013-5	STOP RING E-7		1				
018	144479-6	SWITCH BASE COMPLETE		1				
019	213176-6	O RING 14		1				
020	455733-6	SWITCH LEVER		1				
021	213054-0	O RING 9		1				
022	451344-5	SWITCH DIAL		1				
023	455728-9	BATTERY COVER HOOK		1				
024	231240-1	COMPRESSION SPRING 7		1				
025	644808-8	TERMINAL		2				
026	455729-7	TERMINAL BASE		1				
027	620639-9	CONTROLLER		1				
028	457609-3	CONTROLLER HOLDER		1				
029	651910-0	SWITCH D2VW-01-3HS		1				
030	686039-3	RECEPTACLE SLEEVE		1				
031	424981-8	SPACER		1				
032	424980-0	CAP		1				
033	931303-0	HEX. NUT M6		1	*			
033-1	252268-6	HEX. NUT M6	O	1				
034	455726-3	SEPARATER		1				
035	253752-4	FLAT WASHER 8		1				
036	240178-9	FAN 104		1				
037	313062-2	FLANGE		1				
038	424685-2	RUBBER RING 60		1				

Please order the parts with part number.

Print Date 27/3/2020