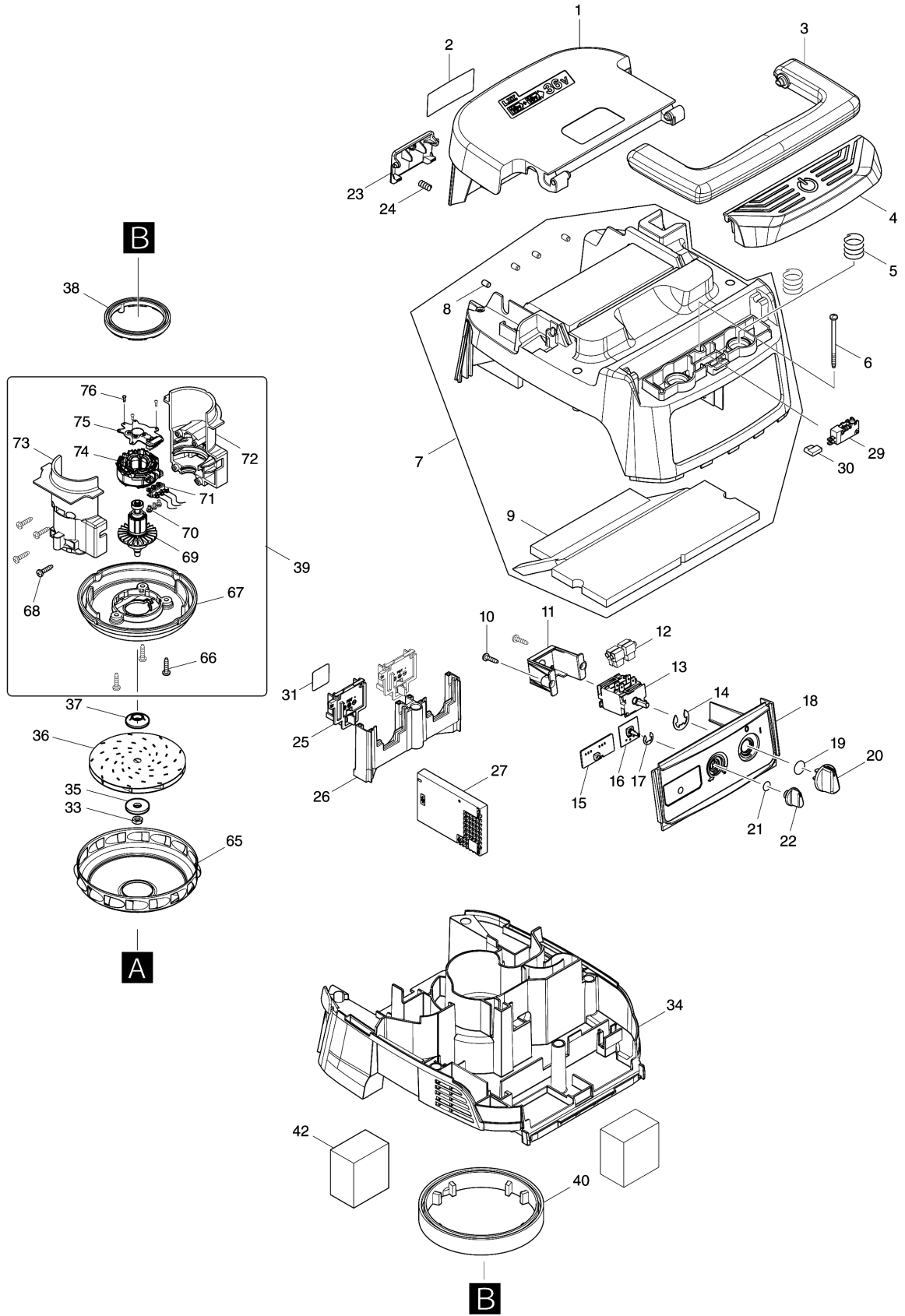
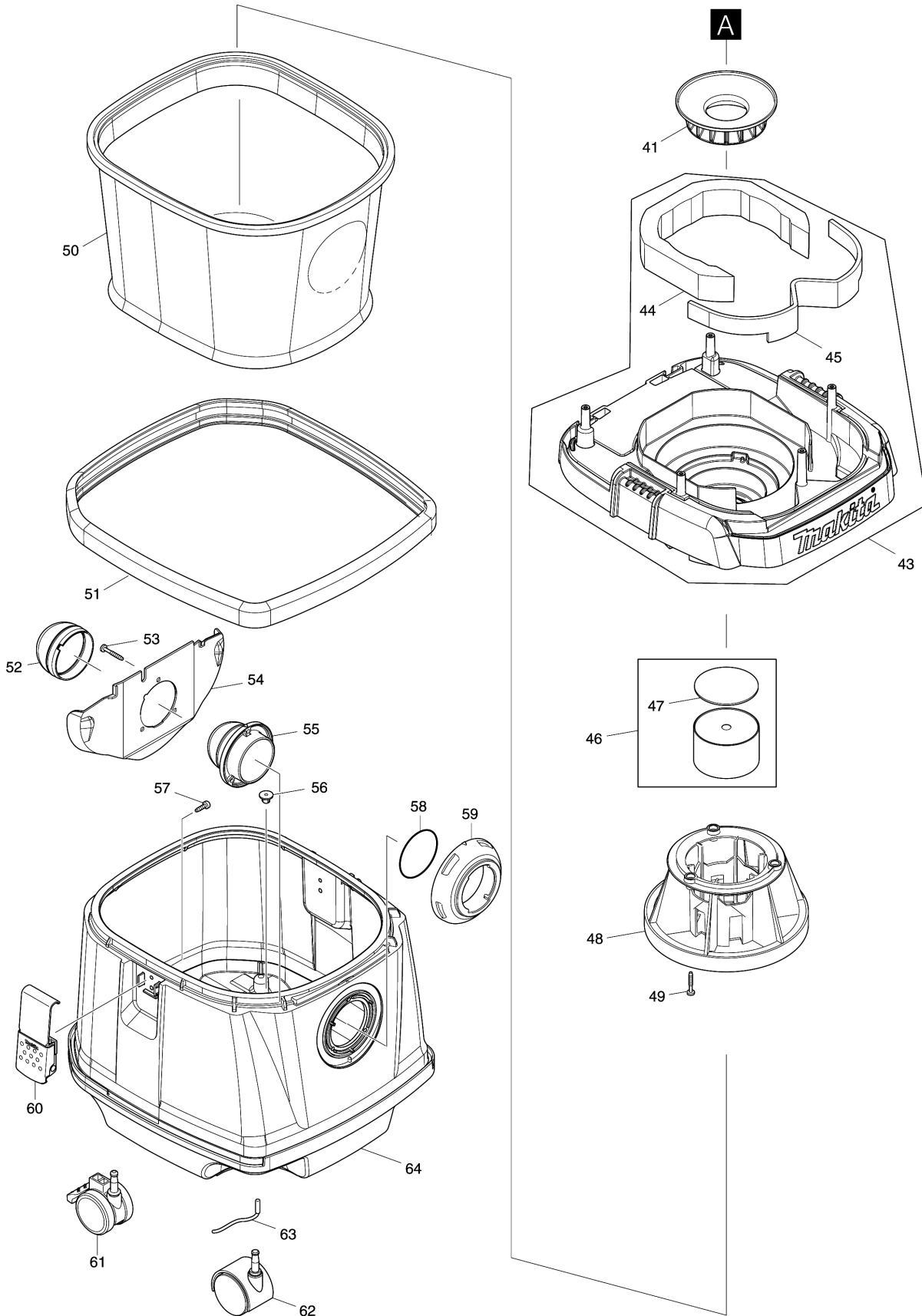


Model No.DVC155L CORDLESS VACUUM CLEANER



Model No.DVC155L CORDLESS VACUUM CLEANER



Model No.DVC155L CORDLESS VACUUM CLEANER

Item	Parts No.	Description	I/C	Qty	New/Old	Opt. 1	Opt. 2	Note
001	143174-5	BATTERY COVER COMPLETE		1				
C10	891977-8	CAUTION LABEL		1				
002	857B71-8	DVC155L NAME PLATE		1				
003	455734-4	GRIP		1				
004	459262-1	SWITCH BUTTON		1				
005	234273-5	COMPRESSION SPRING 20		2				
006	266340-8	TAPPING SCREW 4X65		6				
007	144409-7	COWLING COMPLETE		1				
D10		INC. 8,9						
008	263005-3	RUBBER PIN 6		4				
009	424688-6	TOP DAMPER		1				
010	266326-2	TAPPING SCREW 4X18		2				
011	451343-7	SWITCH HOLDER		1				
012	686023-8	RECEPTACLE SLEEVE		4				
013	650622-2	SWITCH		1				
014	961062-2	STOP RING E-12		1				
015	620649-6	LED CIRCUIT		1				
016	631922-9	SUB CONTROLLER		1				
017	961013-5	STOP RING E-7		1				
018	144479-6	SWITCH BASE COMPLETE		1				
C10	812D41-6	INDICATION LABEL		1				
019	213176-6	O RING 14		1				
020	455733-6	SWITCH LEVER		1				
021	213054-0	O RING 9		1				
022	451344-5	SWITCH DIAL		1				
023	455728-9	BATTERY COVER HOOK		1				
024	231240-1	COMPRESSION SPRING 7		1				
025	644808-8	TERMINAL		2				
026	455729-7	TERMINAL BASE		1				
027	620639-9	CONTROLLER		1				
029	651910-0	SWITCH D2VW-01-3HS		1				
030	686039-3	RECEPTACLE SLEEVE		1				
031	857B79-2	DVC155L SERIAL NO. LABEL		1				
033	252268-6	HEX. NUT M6		1				
034	412581-6	SEPARATOR		1				
035	253752-4	FLAT WASHER 8		1				
036	240178-9	FAN 104		1				
037	313062-2	FLANGE		1				
038	424685-2	RUBBER RING 60		1				
039	127602-8	MOTOR ASSEMBLY		1				
D10		INC. 66-76						
040	424686-0	RUBBER RING 120		1				

Please order the parts with part number.

Print Date 10/3/2020

Model No.DVC155L CORDLESS VACUUM CLEANER

Item	Parts No.	Description	I/C	Qty	New/Old	Opt. 1	Opt. 2	Note
041	422590-7	SUPPORT RING		1				
042	424690-9	REAR BLOCK FILTER		2				
043	143175-3	TANK COVER COMPLETE		1				
D10		INC. 44,45						
044	424691-7	BAND DAMPER		1				
045	424689-4	FRONT DAMPER		1				
046	158166-1	FLOAT COMPLETE		1				
D10		INC. 47						
047	423365-7	SPONGE SEAL 70		1				
048	419725-9	FLOAT CAGE		1				
049	266374-1	TAPPING SCREW 4X25		3				
050	140248-3	CLOTH FILTER COMPLETE		1				
051	422148-2	BUMPER		1				
052	424382-0	RUBBER HOLDER		1				
053	266257-5	TAPPING SCREW 4X28		3				
054	419351-4	HOLDER PLATE		1				
055	419350-6	HOLDER		1				
056	421468-1	CORD SEAL		1				
057	266192-7	TAPPING SCREW 4X14		4				
058	213655-4	O RING 56		1				
059	451348-7	INLET		1				
060	168537-4	HOOK		2				
061	168535-8	CASTER 50		2				
062	168434-4	CASTER 50		2				
063	649150-2	EARTH LINE 120		1				
064	452291-3	TANK		1				
065	347171-5	FAN COVER		1				
066	266326-2	TAPPING SCREW 4X18		3				
067	457486-3	FAN BASE		1				
068	266326-2	TAPPING SCREW 4X18		4				
069	619431-8	ROTOR		1				
070	652069-6	FLAT HEAD SCREW M3X6		3				
071	632J83-8	LEAD UNIT		1				
072	183F90-5	MOTOR HOUSING SET		1				
D10		INC. 73						
073	183F90-5	MOTOR HOUSING SET		1				
D10		INC. 72						
074	629491-2	STATOR		1				
075	620648-8	CONTROLLER B		1				
076	266490-9	TAPPING SCREW PT 2X6		3				
A01	199493-7	HOSE COMPLETE 32-1.7 SET		1				
A02	195432-5	POLY BAG SET(650X650)		1				

Please order the parts with part number.

Print Date 10/3/2020

Model No.DVC155L CORDLESS VACUUM CLEANER

Item	Parts No.	Description	I/C	Qty	New/Old	Opt. 1	Opt. 2	Note
A03	198919-6	LONG SASH NOZZLE SET 28 WHI EU		1				
A04	191G86-8	NOZZLE ASSEMBLY SET		1				
A05	140G19-0	TELESCOPIC PIPE COMPLETE		1				
A06	140G26-3	BENT PIPE COMPLETE		1				
A08	127607-8	TOOL BOX ASSEMBLY		1				
A09	911133-5	PAN HEAD SCREW M4X18		1				
A11	451350-0	STOPPER		1				
E01	891978-6	CAUTION LABEL		1				

Please order the parts with part number.

Print Date 10/3/2020