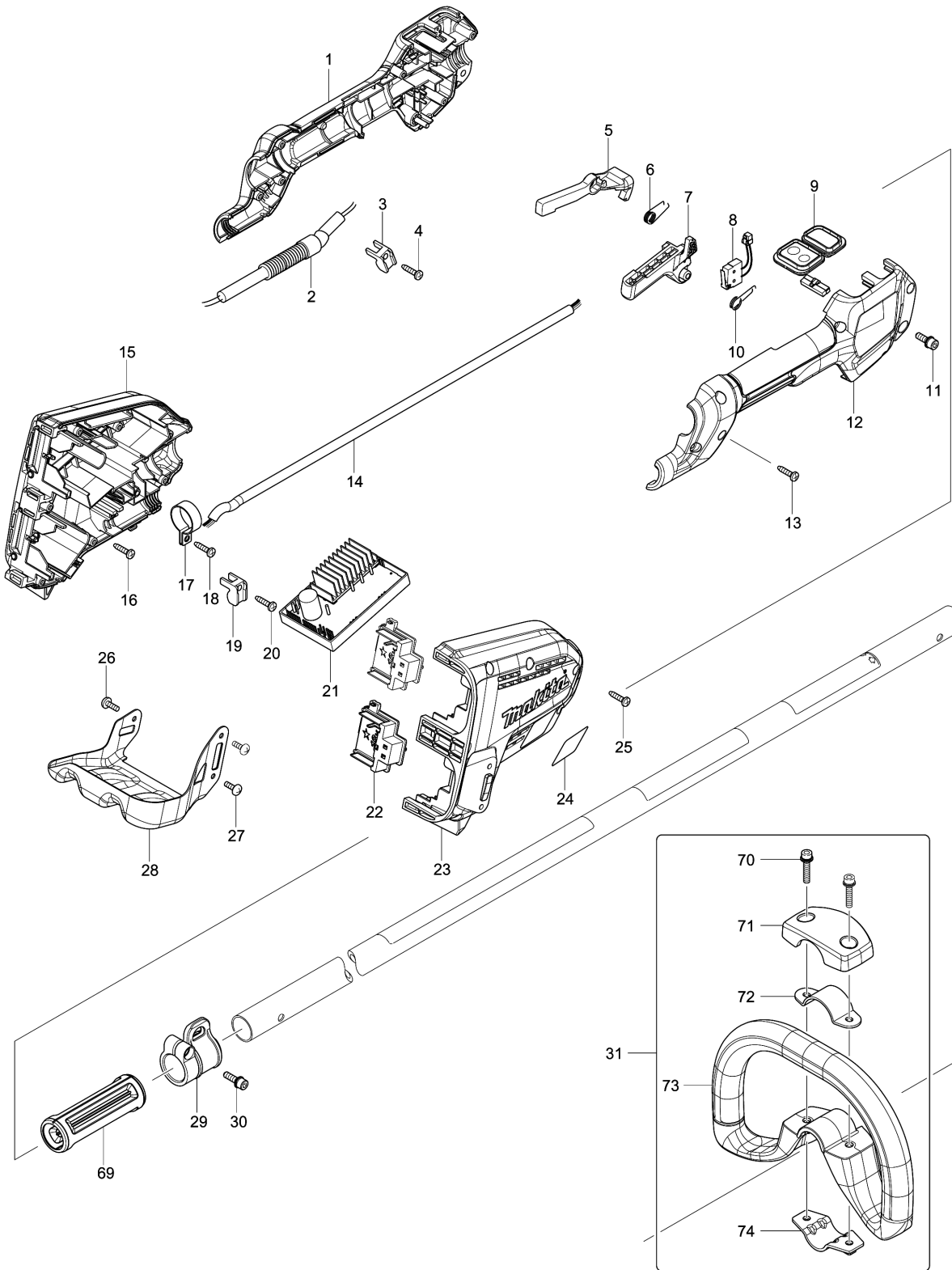
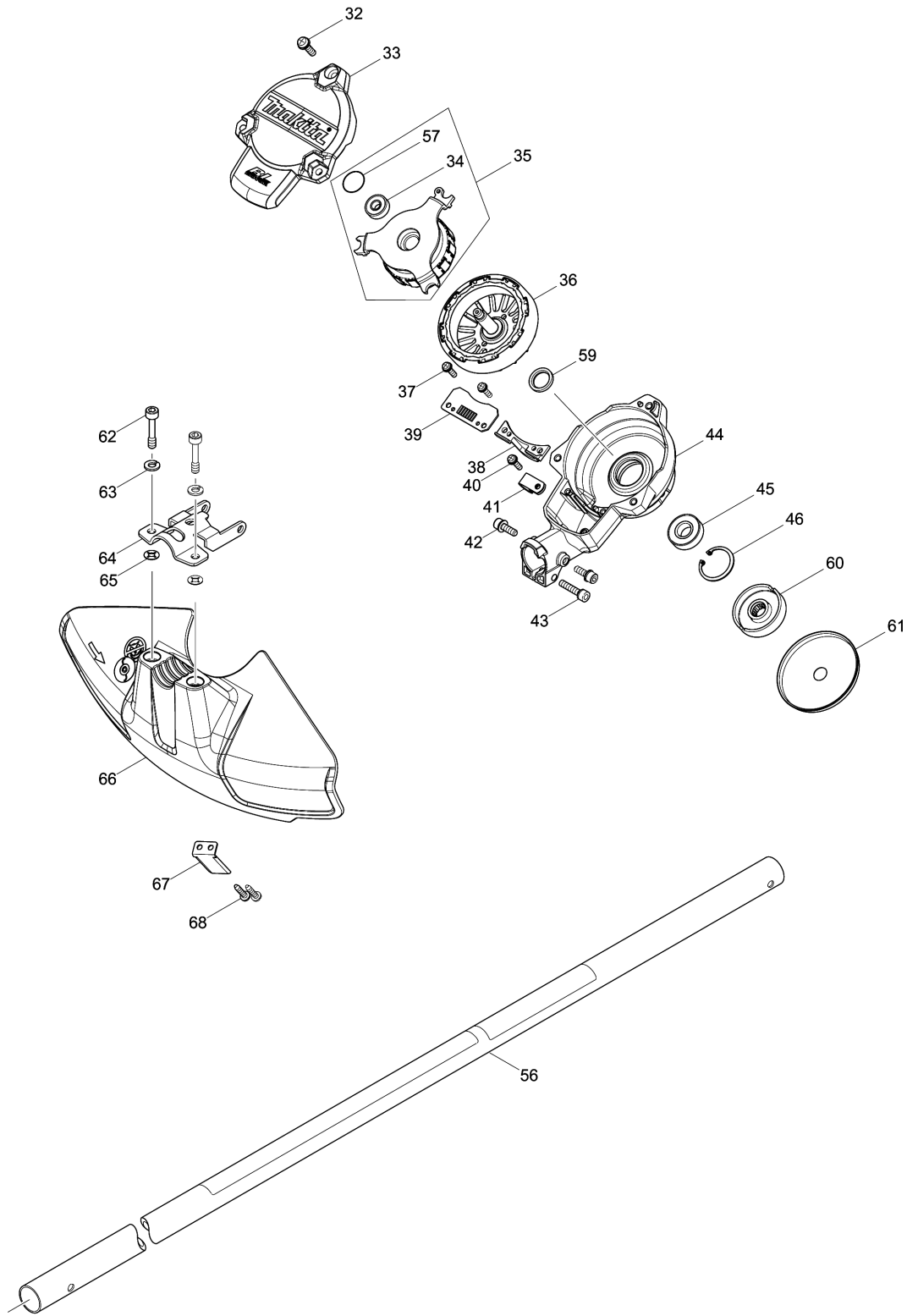


Model No.DUR366L CORDLESS GRASS TRIMMER



Model No.DUR366L CORDLESS GRASS TRIMMER



Model No.DUR366L CORDLESS GRASS TRIMMER

Item	Parts No.	Description	I/C	Qty	New/Old	Opt. 1	Opt. 2	Note
001	183A19-1	GRIP SET		1				
D10		INC. 12						
002	699068-7	POWER SUPPLY CORD UNIT		1				
003	687261-5	STRAIN RELIEF		1				
004	266326-2	TAPPING SCREW 4X18		1				
005	455629-1	LOCK OFF LEVER		1				
006	233621-5	TORSION SPRING 9		1				
007	455625-9	SWITCH LEVER		1				
008	632E26-0	SWITCH UNIT		1				
009	143977-7	SUB CONTROLLER COMPLETE		1				
010	233612-6	TORSION SPRING 10		1				
011	922228-9	H.S.H.BOLT M5X18 WITH WR		1				
012	183A19-1	GRIP SET		1				
D10		INC. 1						
013	266326-2	TAPPING SCREW 4X18		6				
014	699067-9	POWER SUPPLY CORD UNIT		1				
015	183A64-6	HOUSING SET		1				
C10	263005-3	RUBBER PIN 6		4				
D10		INC. 23						
016	266326-2	TAPPING SCREW 4X18		3				
017	346248-3	CLAMP 24		1				
018	266326-2	TAPPING SCREW 4X18		1				
019	687261-5	STRAIN RELIEF		1				
020	266326-2	TAPPING SCREW 4X18		1				
021	143858-5	CONTROLLER COMPLETE		1	*			
021-1	144369-3	CONTROLLER COMPLETE	S	1	*			
021-2	140J16-4	CONTROLLER COMPLETE	<	1				
022	644808-8	TERMINAL		2				
023	183A64-6	HOUSING SET		1				
C10	263005-3	RUBBER PIN 6		4				
D10		INC. 15						
024	852F92-9	DUR366L NAME PLATE		1				
025	266326-2	TAPPING SCREW 4X18		7				
026	251314-2	+ SCREW M4X12		1				
027	251314-2	+ SCREW M4X12		2				
028	346858-6	BATTERY GUARD		1				
029	168478-4	HANGER		1				
030	922228-9	H.S.H.BOLT M5X18 WITH WR		1				
031	195626-2	LOOP HANDLE SET		1				
D10		INC. 70-74						
032	911233-1	PAN HEAD SCREW M5X20		3				
033	455626-7	TOP COVER		1				

Please order the parts with part number.

Print Date 27/3/2020

Model No.DUR366L CORDLESS GRASS TRIMMER

Item	Parts No.	Description	I/C	Qty	New/Old	Opt. 1	Opt. 2	Note
034	210062-2	BALL BEARING 607ZZ		1				
035	529146-8	STATOR ASS'Y		1	*			
D10		INC. 34,57			*			
035-1	529146-8	STATOR ASS'Y	O	1				
D10		INC. 34,57						
036	619368-9	ROTOR		1	*			
036-1	619462-7	ROTOR	<	1				
037	911128-8	P.H.SCREW M4X16 WITH WR		2				
038	455628-3	INNER COVER		1				
039	620401-2	CONTROLLER B		1	*			
039-1	620562-8	CONTROLLER B	S	1				
040	911128-8	P.H.SCREW M4X16 WITH WR		1				
041	687042-7	STRAIN RELIEF		1				
042	922223-9	H.S.H.BOLT M5X16 WITH WR		2				
043	922241-7	HEX. SOCKET HEAD BOLT M5X25		1				
044	143039-1	MOTOR HOUSING COMPLETE		1				
045	211131-2	BALL BEARING 6001DDW		1				
046	962106-1	RETAINING RING R-28		1				
056	143855-1	PIPE COMPLETE K		1				
C10	809N07-5	CAUTION LABEL		1				
C20	819312-8	MAKITA LOGO LABEL		1				
057	213325-5	O RING 19		1				
059	326586-9	RING 14	S	1	*			
060	326518-6	RECEIVE WASHER A		1				
061	346622-5	GUARD		1				
062	266579-3	HEX SOCKET HEAD BOLT M6X30		2				
063	942151-2	SPRING WASHER 6		2	*			
063-1	253428-3	SPRING WASHER 6	O	2				
064	346073-2	PROTECTOR CLAMP		1				
065	413143-3	WASHER		2				
066	455926-5	PROTECTOR		1				
067	346855-2	CUTTER		1				
068	266326-2	TAPPING SCREW 4X18		2				
069	451601-1	SPACER 24		1				
070	922243-3	HEX. SOCKET HEAD BOLT M5X25		2				
071	452843-0	CLAMP COVER B		1				
072	346468-9	CLAMP 33		1				
073	452841-4	LOOP HANDLE		1				
074	347094-7	CLAMP 24		1				
A01	197296-3	TRIMMER HEAD 90-M10L SET ME		1				

Model No.DUR366L CORDLESS GRASS TRIMMER

Item	Parts No.	Description	I/C	Qty	New/Old	Opt. 1	Opt. 2	Note
A02	195246-2	SAFETY GOGGLE		1	*			
A03	783202-0	HEX. WRENCH 4		1				
A04	783217-7	HEX. WRENCH 5		1				
A05	831304-7	ACCESSORY BAG		1				
A06	264117-5	HEX.NUT M10-14		1	*			
A07	729079-9	PLASTIC BLADE 255		1	*			
A07-1	126642-3	PLASTIC BLADE ASSEMBLY255-M10L	S	1				
A12	125516-5	BAND ASSEMBLY		1				
B01	197295-5	PROTECTOR SET		1				
D10		INC. 61-68,A04						
E01	807E85-5	SOUND 92DB LABEL		1				

Please order the parts with part number.

Print Date 27/3/2020