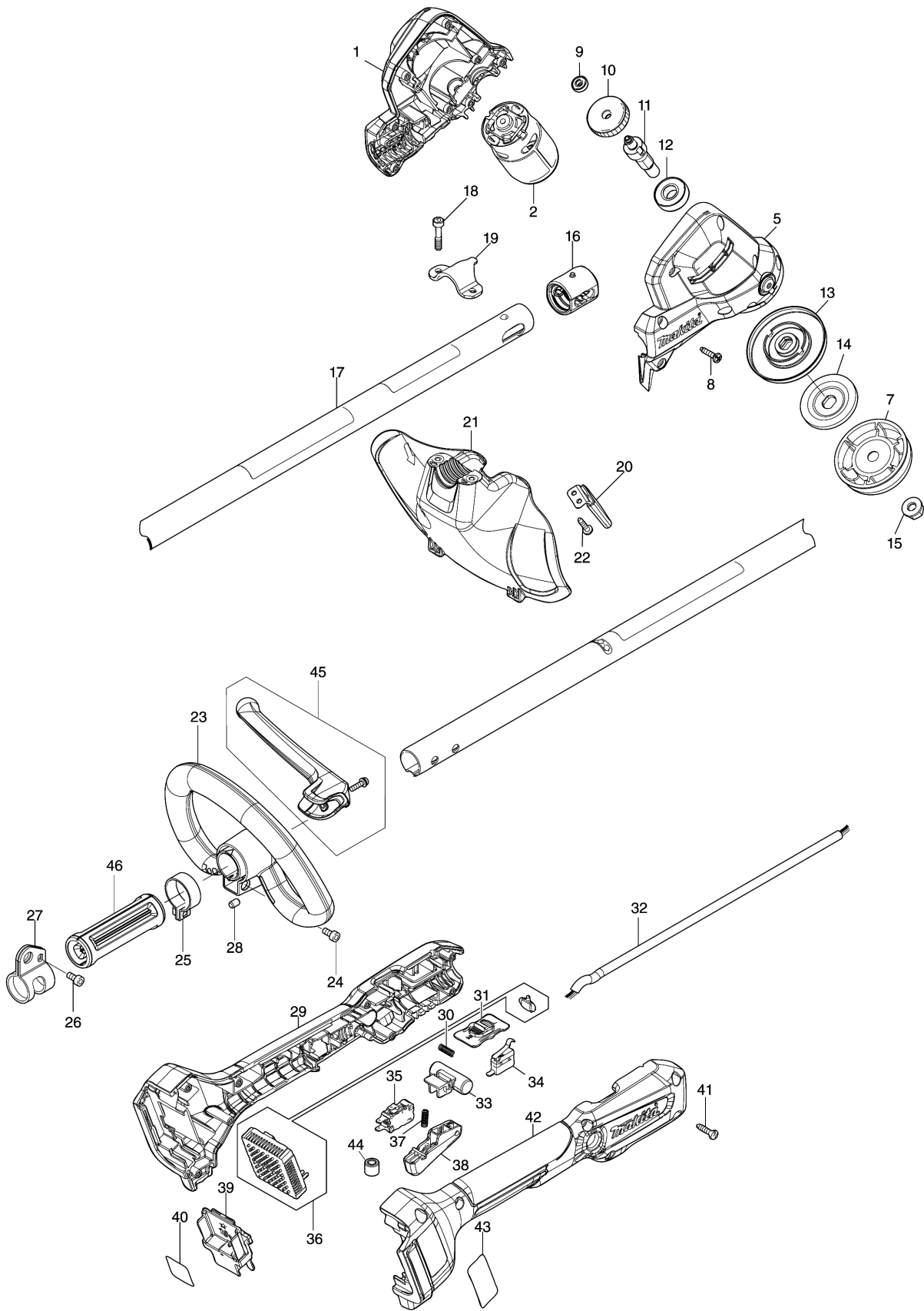


Model No.DUR194 CORDLESS GRASS TRIMMER



Model No.DUR194 CORDLESS GRASS TRIMMER

| Item | Parts No. | Description | I/C | Qty | New/Old | Opt. 1 | Opt. 2 | Note |
|------|-----------|-----------------------------|-----|-----|---------|--------|--------|------|
| 001 | 183W20-8 | MOTOR HOUSING SET | | 1 | | | | |
| C10 | 213021-5 | O RING 5 | | 1 | | | | |
| C20 | 233072-2 | COMPRESSION SPRING 8 | | 1 | | | | |
| C30 | 256546-6 | SHOULDER PIN 4 | | 1 | | | | |
| C40 | 412408-0 | PIN CAP | | 1 | | | | |
| D10 | | INC. 5 | | | | | | |
| 002 | 629B20-3 | DC MOTOR | | 1 | | | | |
| 005 | 183W20-8 | MOTOR HOUSING SET | | 1 | | | | |
| C10 | 213021-5 | O RING 5 | | 1 | | | | |
| C20 | 233072-2 | COMPRESSION SPRING 8 | | 1 | | | | |
| C30 | 256546-6 | SHOULDER PIN 4 | | 1 | | | | |
| C40 | 412408-0 | PIN CAP | | 1 | | | | |
| D10 | | INC. 1 | | | | | | |
| 007 | 168526-9 | CUP | | 1 | | | | |
| 008 | 266326-2 | TAPPING SCREW 4X18 | | 8 | | | | |
| 009 | 210215-3 | BALL BEARING 695ZZ | | 1 | | | | |
| 010 | 227950-6 | HELICAL GEAR 31 | | 1 | | | | |
| 011 | 327542-2 | CUTTER SHAFT | | 1 | | | | |
| 012 | 210216-1 | BALL BEARING 6001DDW | | 1 | | | | |
| 013 | 140T23-7 | RECEIVE WASHER COMPLETE | | 1 | | | | |
| C10 | 213134-2 | O-RING 11 | | 1 | | | | |
| 014 | 347668-4 | CLAMP WASHER | | 1 | | | | |
| 015 | 264025-0 | HEX. NUT M10-17 | | 1 | | | | |
| 016 | 424567-8 | RUBBER SLEEVE 24 | | 1 | | | | |
| 017 | 141K17-1 | PIPE COMPLETE B | | 1 | | | | |
| C10 | 819312-8 | MAKITA LOGO LABEL | | 1 | | | | |
| C20 | 808723-2 | CAUTION LABEL | | 1 | | | | |
| C30 | 8050N8-5 | CAUTION LABEL | | 1 | | | | |
| 018 | 251513-6 | H.S.H.BOLT M5X25 | | 2 | | | | |
| 019 | 347667-6 | PROTECTOR CLAMP | | 1 | | | | |
| 020 | 140W25-1 | CUTTER COVER COMPLETE | | 1 | | | | |
| 021 | 413F99-6 | PROTECTOR | | 1 | | | | |
| 022 | 266326-2 | TAPPING SCREW 4X18 | | 2 | | | | |
| 023 | 413L67-5 | LOOP HANDLE 24 | | 1 | | | | |
| 024 | 922212-4 | HEX. SOCKET HEAD BOLT M5X12 | | 1 | | | | |
| 025 | 347011-7 | PIPE CLAMP 29 | | 1 | | | | |
| 026 | 922212-4 | HEX. SOCKET HEAD BOLT M5X12 | | 1 | | | | |
| 027 | 347116-3 | HANGER | | 1 | | | | |
| 028 | 263005-3 | RUBBER PIN 6 | | 1 | | | | |
| 029 | 183V24-4 | GRIP HOUSING SET | | 1 | | | | |
| C10 | 263005-3 | RUBBER PIN 6 | | 3 | | | | |

Model No.DUR194 CORDLESS GRASS TRIMMER

| Item | Parts No. | Description | I/C | Qty | New/Old | Opt. 1 | Opt. 2 | Note |
|------|-----------|------------------------------|-----|-----|---------|--------|--------|------|
| D10 | | INC. 42 | | | | | | |
| 030 | 231473-8 | COMPRESSION SPRING 4 | | 1 | | | | |
| 031 | 413G02-3 | SPEED CHANGE LEVER | | 1 | | | | |
| 032 | 699195-0 | POWER SUPPLY CORD UNIT | | 1 | | | | |
| 033 | 413G01-5 | LOCK OFF BUTTON | | 1 | | | | |
| 034 | 632T87-0 | SWITCH UNIT | | 1 | | | | |
| 035 | 650029-2 | SWITCH BMC-1212-002 | | 1 | | | | |
| 036 | 620J07-6 | CONTROLLER | | 1 | | | | |
| 037 | 231473-8 | COMPRESSION SPRING 4 | | 1 | | | | |
| 038 | 413714-6 | SWITCH LEVER | | 1 | | | | |
| 039 | 643874-2 | TERMINAL | | 1 | | | | |
| 040 | 8118Y1-4 | DUR194 SERIAL NO. LABEL | | 1 | | | | |
| 041 | 266326-2 | TAPPING SCREW 4X18 | | 8 | | | | |
| 042 | 183V24-4 | GRIP HOUSING SET | | 1 | | | | |
| C10 | 263005-3 | RUBBER PIN 6 | | 3 | | | | |
| D10 | | INC. 29 | | | | | | |
| 043 | 8118X5-9 | DUR194 NAME PLATE | | 1 | | | | |
| 044 | 688163-8 | LINE FILTER | | 1 | | | | |
| 045 | 143695-7 | BARRIER COMPLETE | | 1 | | | | |
| C10 | 911128-8 | P.H.SCREW M4X16 WITH WR | | 1 | | | | |
| 046 | 451601-1 | SPACER 24 | | 1 | | | | |
| A01 | 127508-0 | BAND ASS'Y | | 1 | | | | |
| A02 | 191Y44-2 | CUTTER BLADE 200-8 SET MG | | 1 | | | | |
| A04 | 456924-2 | TOOL COVER | | 1 | | | | |
| A05 | 783013-3 | BOX DRIVER 16-17 | | 1 | | | | |
| A06 | 191D89-4 | TRIMMER HEAD 96-M10L SET | | 1 | | | | |
| A10 | 831304-7 | ACCESSORY BAG | | 1 | | | | |
| A11 | 783202-0 | HEX. WRENCH 4 | | 1 | | | | |
| E01 | 800A66-4 | SOUND 91DB LABEL | | 1 | | | | |

Please order the parts with part number.

Print Date 4/1/2022