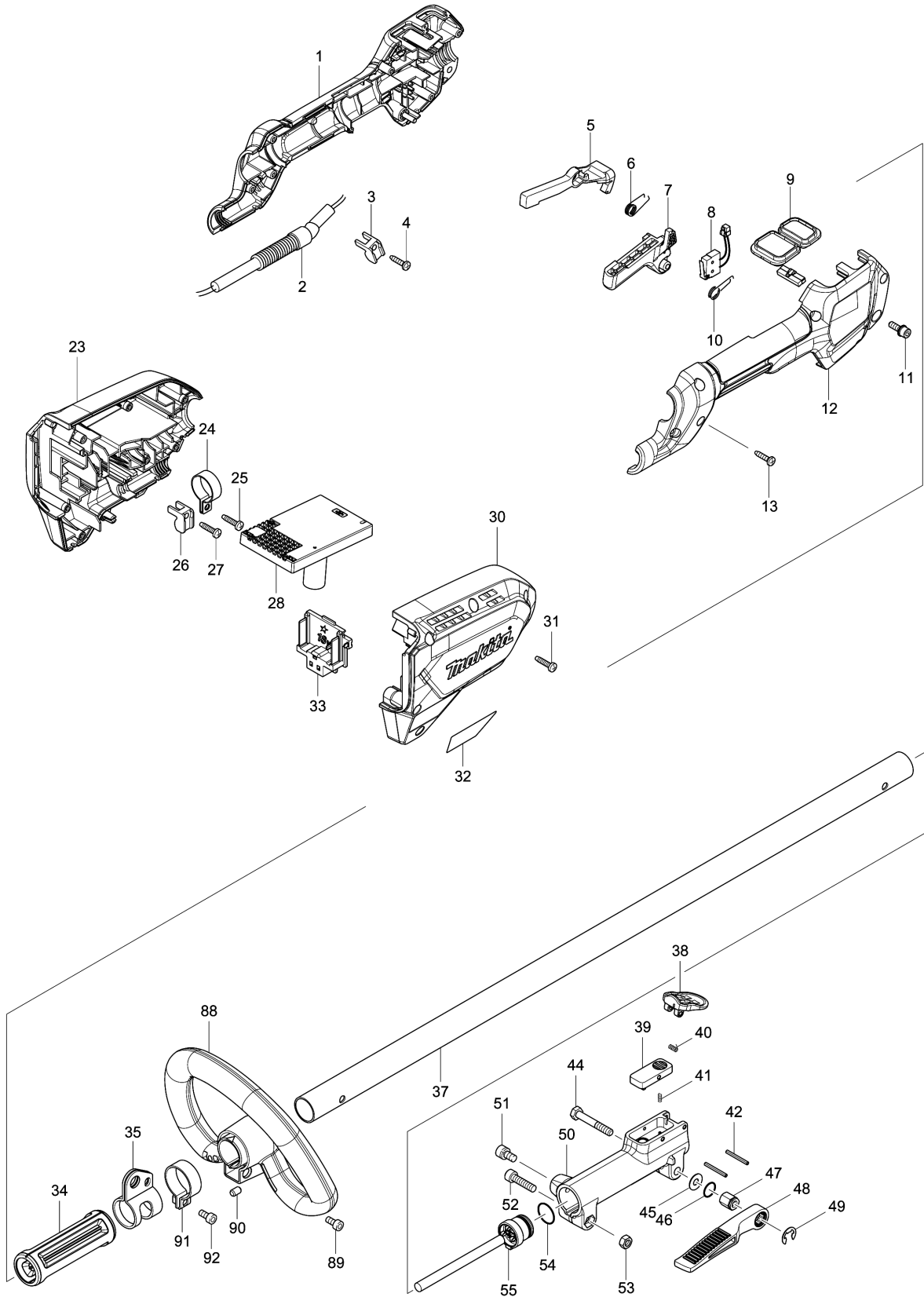


Model No.DUR188L CORDLESS GRASS TRIMMER



Model No.DUR188L CORDLESS GRASS TRIMMER



Model No.DUR188L CORDLESS GRASS TRIMMER

Item	Parts No.	Description	I/C	Qty	New/Old	Opt. 1	Opt. 2	Note
001	183A19-1	GRIP SET		1				
C10	931202-6	HEX. NUT M5		1				
D10		INC. 12						
002	699085-7	POWER SUPPLY CORD UNIT		1				
003	687260-7	STRAIN RELIEF		1				
004	266326-2	TAPPING SCREW 4X18		1				
005	455629-1	LOCK OFF LEVER		1				
006	233621-5	TORSION SPRING 9		1				
007	455625-9	SWITCH LEVER		1				
008	632E26-0	SWITCH UNIT		1				
009	144371-6	SUB CONTROLLER COMPLETE		1				
010	233612-6	TORSION SPRING 10		1				
011	922228-9	H.S.H.BOLT M5X18 WITH WR		1				
012	183A19-1	GRIP SET		1				
C10	931202-6	HEX. NUT M5		1				
D10		INC. 1						
013	266326-2	TAPPING SCREW 4X18		6				
023	183F35-3	HOUSING SET		1				
C10	263005-3	RUBBER PIN 6		2				
D10		INC. 30						
024	346248-3	CLAMP 24		1				
025	266326-2	TAPPING SCREW 4X18		1				
026	687260-7	STRAIN RELIEF		1				
027	266326-2	TAPPING SCREW 4X18		1				
028	620642-0	CONTROLLER		1				
030	183F35-3	HOUSING SET		1				
C10	263005-3	RUBBER PIN 6		2				
D10		INC. 23						
031	266326-2	TAPPING SCREW 4X18		6				
032	852Y05-4	DUR188L NAME PLATE		1				
033	644809-6	TERMINAL		1				
034	451601-1	SPACER 24		1				
035	347116-3	HANGER		1				
037	326925-3	PIPE B		1				
038	454304-6	JOINT COVER		1				
039	454303-8	LOCK LEVER		1				
040	233604-5	TORSION SPRING 3		1				
041	233211-4	COMPRESSION SPRING 2		1				
042	258010-3	SPRING PIN 2.5-25		2				
044	265596-0	HEX.BOLT M6X40		1				
045	253332-6	THIN WASHER 6		1				
046	213105-9	O RING 11		1				

Please order the parts with part number.

Print Date 27/3/2020

Model No.DUR188L CORDLESS GRASS TRIMMER

Item	Parts No.	Description	I/C	Qty	New/Old	Opt. 1	Opt. 2	Note
047	252159-1	HEX. NUT M6		1				
048	272268-0	LEVER 94		1				
049	961014-3	STOP RING E-8		1				
050	319531-1	JOINT 24 B		1				
051	922311-2	HEX. SOCKET HEAD BOLT M6X12		1				
052	922342-1	HEX. SOCKET HEAD BOLT M6X25		1				
053	931302-2	HEX. NUT M6		1				
054	213275-4	O RING 18		1	*			
054-1	213275-4	O RING 18	O	1				
055	699087-3	POWER SUPPLY CORD UNIT		1				
056	183F18-3	MOTOR HOUSING SET		1				
D10		INC. 69						
057	629248-1	STATOR		1				
058	519429-4	ROTOR ASS'Y		1	*			
D10		INC. 59,60			*			
058-1	519429-4	ROTOR ASS'Y	O	1				
D10		INC. 59,60						
059	210049-4	BALL BEARING 609ZZ		1				
060	211157-4	BALL BEARING 695ZZ		1				
061	346857-8	GUARD		1				
062	211157-4	BALL BEARING 695ZZ		1				
063	221492-2	HELICAL GEAR 26		1				
064	326924-5	CUTTER SHAFT		1				
065	210059-1	BALL BEARING 6000DDW		1				
066	144512-4	RECEIVE WASHER COMPLETE		1				
D10		INC. 67						
067	213055-8	O RING 10		1				
068	652069-6	FLAT HEAD SCREW M3X6		3				
069	183F18-3	MOTOR HOUSING SET		1				
D10		INC. 56						
070	266326-2	TAPPING SCREW 4X18		8				
071	424567-8	RUBBER SLEEVE 24		1				
075	144373-2	PIPE COMPLETE A		1				
C10	819312-8	MAKITA LOGO LABEL		1				
C20	898861-8	CAUTION LABEL		1				
076	326880-9	STOPPER PIN B		1				
077	699088-1	POWER SUPPLY CORD UNIT		1				
078	213275-4	O RING 18		1				
080	326348-5	WIRE GUARD		1				
081	413143-3	WASHER		2				
082	454641-8	PROTECTOR HOLDER		1				

Model No.DUR188L CORDLESS GRASS TRIMMER

Item	Parts No.	Description	I/C	Qty	New/Old	Opt. 1	Opt. 2	Note
083	942151-2	SPRING WASHER 6		2	*			
083-1	253428-3	SPRING WASHER 6	O	2				
084	266579-3	HEX SOCKET HEAD BOLT M6X30		2				
085	266427-6	TAPPING SCREW 4X12		1	*			
085-1	266427-6	TAPPING SCREW 4X12	S	2				
086	346725-5	CUTTER		1	*			
086-1	347274-5	CUTTER	S	1				
087	457324-9	PROTECTOR		1	*			
087-1	457324-9	PROTECTOR	S	1				
088	456675-7	LOOP HANDLE 24		1	*			
088-1	457937-6	LOOP HANDLE 24	<	1				
089	922212-4	HEX. SOCKET HEAD BOLT M5X12		1				
090	263005-3	RUBBER PIN 6		1				
091	347011-7	PIPE CLAMP 29		1				
092	922212-4	HEX. SOCKET HEAD BOLT M5X12		1				
A01	198385-7	TRIMMER HEAD 95-M8L SET ME		1				
C10	456640-6	SPOOL HOLDER		1				
C20	232289-4	COMPRESSION SPRING 15		1				
C30	144259-0	SPOOL COVER COMPLETE		1				
C40	456642-2	SPOOL		1				
A02	125516-5	BAND ASSEMBLY		1				
A03	783202-0	HEX. WRENCH 4		1				
A04	783217-7	HEX. WRENCH 5		1				
A05	831304-7	ACCESSORY BAG		1				
A06	424596-1	CAP 24		1				
E01	812D87-2	SOUND XXDB LABEL		1	*			
E01-1	802H58-1	SOUND 90DB LABEL	<	1				

Please order the parts with part number.

Print Date 27/3/2020