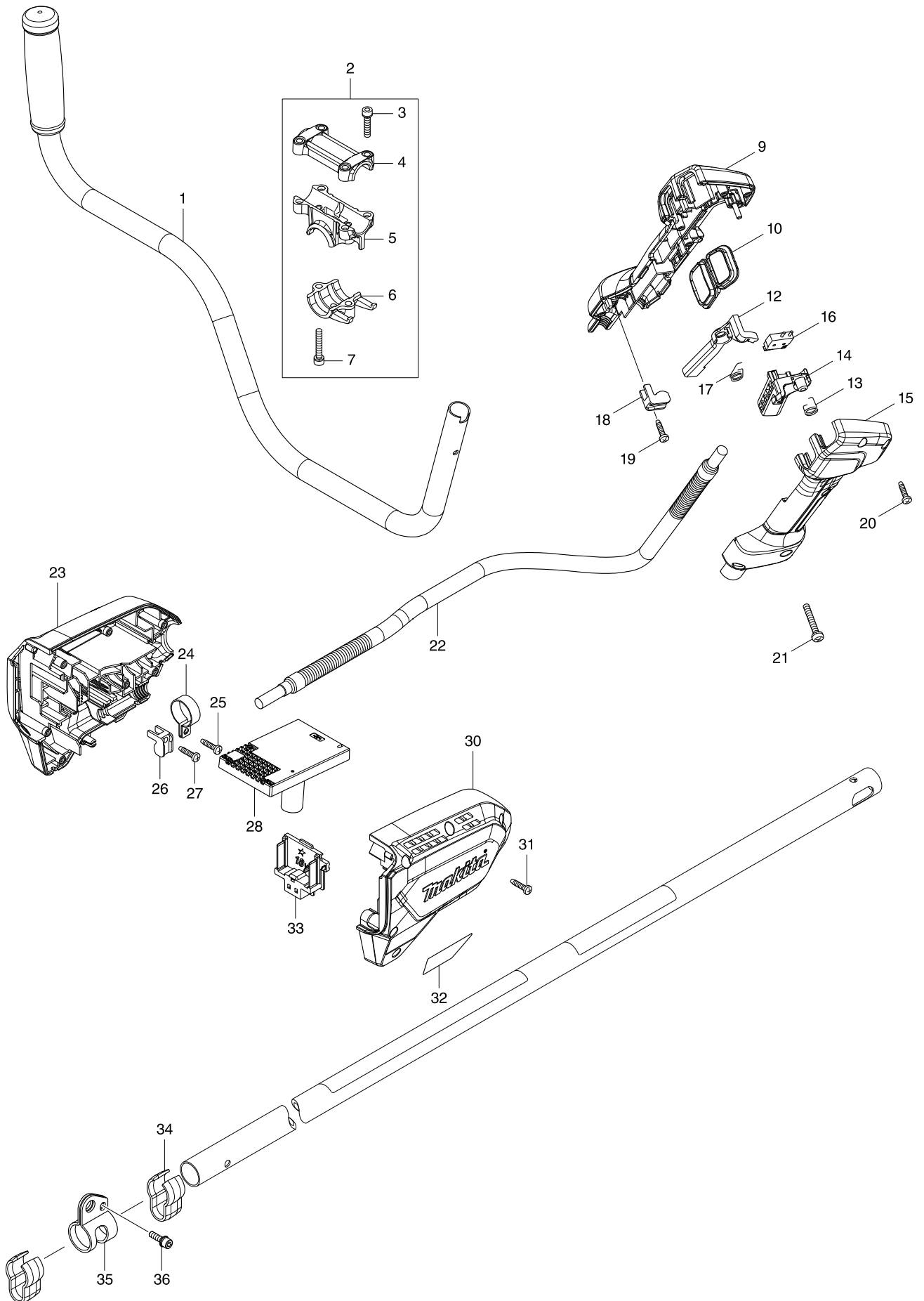
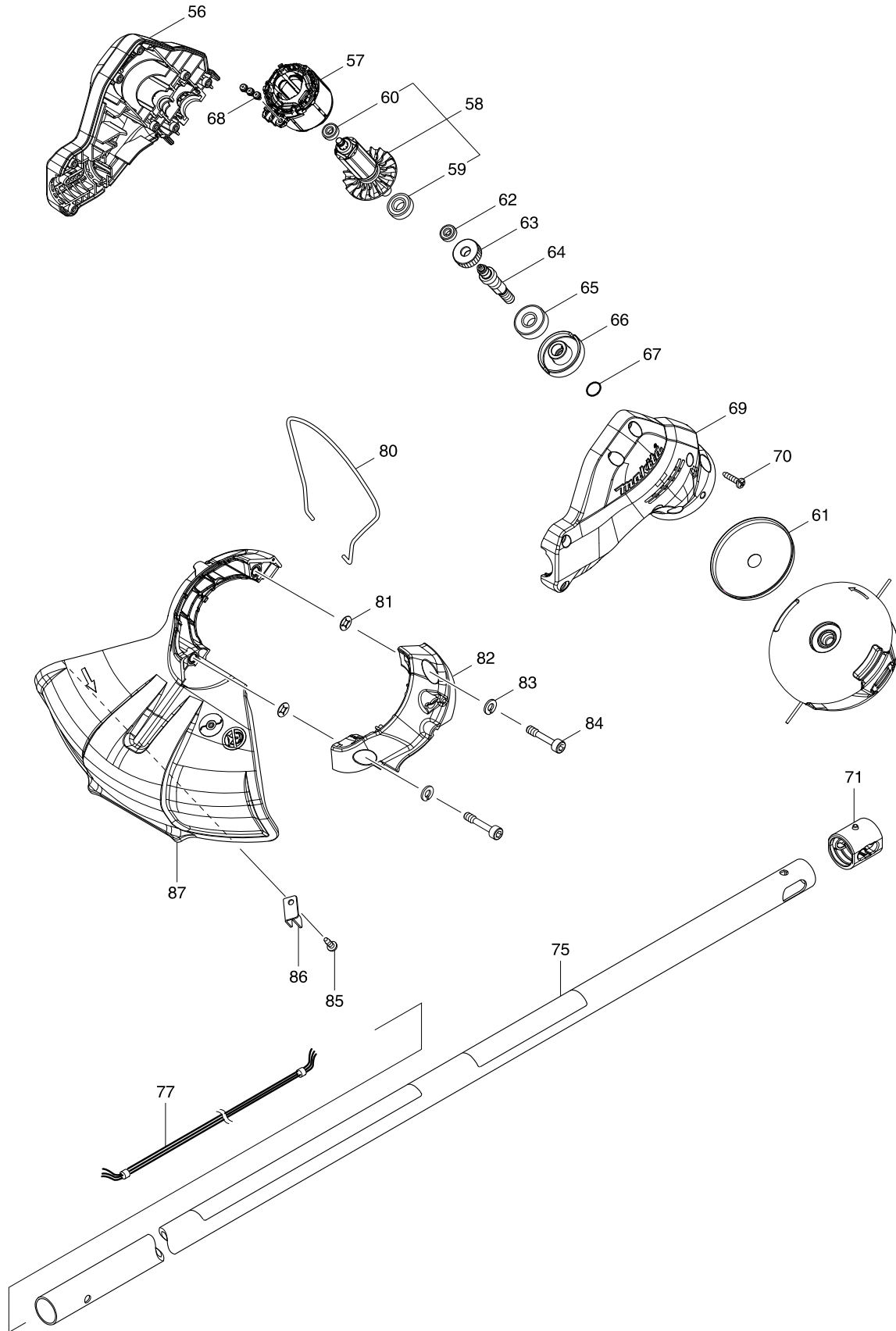


# Model No. DUR187U CORDLESS GRASS TRIMMER



# Model No. DUR187U CORDLESS GRASS TRIMMER



# Model No. DUR187U CORDLESS GRASS TRIMMER

Item	Parts No.	Description	I/C	Qty	N/O	Opt. 1	Opt. 2	Note
001	144374-0	HANDLE COMPLETE		1				
002	135395-3	HANDLE HOLDER ASSY		1				
D10		INC. 3-7						
003	922241-7	HEX. SOCKET HEAD BOLT M5X25		4				
004	318272-6	HANDLE HOLDER 1		1				
005	318273-4	HANDLE HOLDER 2		1				
006	318274-2	HANDLE HOLDER 3		1				
007	922251-4	HEX. SOCKET HEAD BOLT M5X30		2				
009	183A77-7	GRIP SET		1				
C10	252180-0	HEX. LOCK NUT M5-8		1				
D10		INC. 15						
010	144371-6	SUB CONTROLLER COMPLETE		1				
012	455629-1	LOCK OFF LEVER		1				
013	233612-6	TORSION SPRING 10		1				
014	455816-2	SWITCH LEVER		1				
015	183A77-7	GRIP SET		1				
C10	252180-0	HEX. LOCK NUT M5-8		1				
D10		INC. 9						
016	632E40-6	SWITCH UNIT		1				
017	233621-5	TORSION SPRING 9		1				
018	687260-7	STRAIN RELIEF		1				
019	266326-2	TAPPING SCREW 4X18		1				
020	266326-2	TAPPING SCREW 4X18		5				
021	911258-5	PAN HEAD SCREW M5X35		1				
022	699084-9	POWER SUPPLY CORD UNIT		1				
023	183F35-3	HOUSING SET		1				
C10	263005-3	RUBBER PIN 6		2				
D10		INC. 30						
024	346248-3	CLAMP 24		1				
025	266326-2	TAPPING SCREW 4X18		1				
026	687260-7	STRAIN RELIEF		1				
027	266326-2	TAPPING SCREW 4X18		1				
028	620642-0	CONTROLLER		1				
030	183F35-3	HOUSING SET		1				
C10	263005-3	RUBBER PIN 6		2				
D10		INC. 23						
031	266326-2	TAPPING SCREW 4X18		6				
032	852X73-1	DUR188U NAME PLATE		1				
033	644809-6	TERMINAL		1				
034	457458-8	CLAMP		2				
035	347116-3	HANGER		1				
036	922212-4	HEX. SOCKET HEAD BOLT M5X12		1				
056	183F18-3	MOTOR HOUSING SET		1				
D10		INC. 69						
057	629248-1	STATOR		1				
058	519429-4	ROTOR ASSY		1				
D10		INC. 59,60						
059	210049-4	BALL BEARING 609ZZ		1				

# Model No. DUR187U CORDLESS GRASS TRIMMER

Item	Parts No.	Description	I/C	Qty	N/O	Opt. 1	Opt. 2	Note
060	211157-4	BALL BEARING 695ZZ		1				
061	346857-8	GUARD		1				
062	211157-4	BALL BEARING 695ZZ		1				
063	221492-2	HELICAL GEAR 26		1				
064	326924-5	CUTTER SHAFT		1				
065	210059-1	BALL BEARING 6000DDW		1				
066	144512-4	RECEIVE WASHER COMPLETE		1				
D10		INC. 67						
067	213055-8	O RING 10		1				
068	652069-6	FLAT HEAD SCREW M3X6		3				
069	183F18-3	MOTOR HOUSING SET		1				
D10		INC. 56						
070	266326-2	TAPPING SCREW 4X18		8				
071	424567-8	RUBBER SLEEVE 24		1				
075	142241-3	PIPE COMPLETE		1				
C10	819312-8	MAKITA LOGO LABEL		1				
C20	898861-8	CAUTION LABEL		1				
077	699090-4	POWER SUPPLY CORD UNIT		1				
080	326348-5	WIRE GUARD		1				
081	413143-3	WASHER		2				
082	454641-8	PROTECTOR HOLDER		1				
083	942151-2	SPRING WASHER 6		2				
084	266579-3	HEX SOCKET HEAD BOLT M6X30		2				
085	266427-6	TAPPING SCREW 4X12		1				
086	346725-5	CUTTER		1				
087	457324-9	PROTECTOR		1				
A01	198385-7	CUTTER ASSEMBLY 95-M8L SET		1				
A02	125520-4	BAND ASSEMBLY		1				
A03	783202-0	HEX. WRENCH 4		1				
A04	783217-7	HEX. WRENCH 5		1				
A05	831304-7	ACCESSORY BAG		1				
E01	812D87-2	SOUND XXDB LABEL		1				