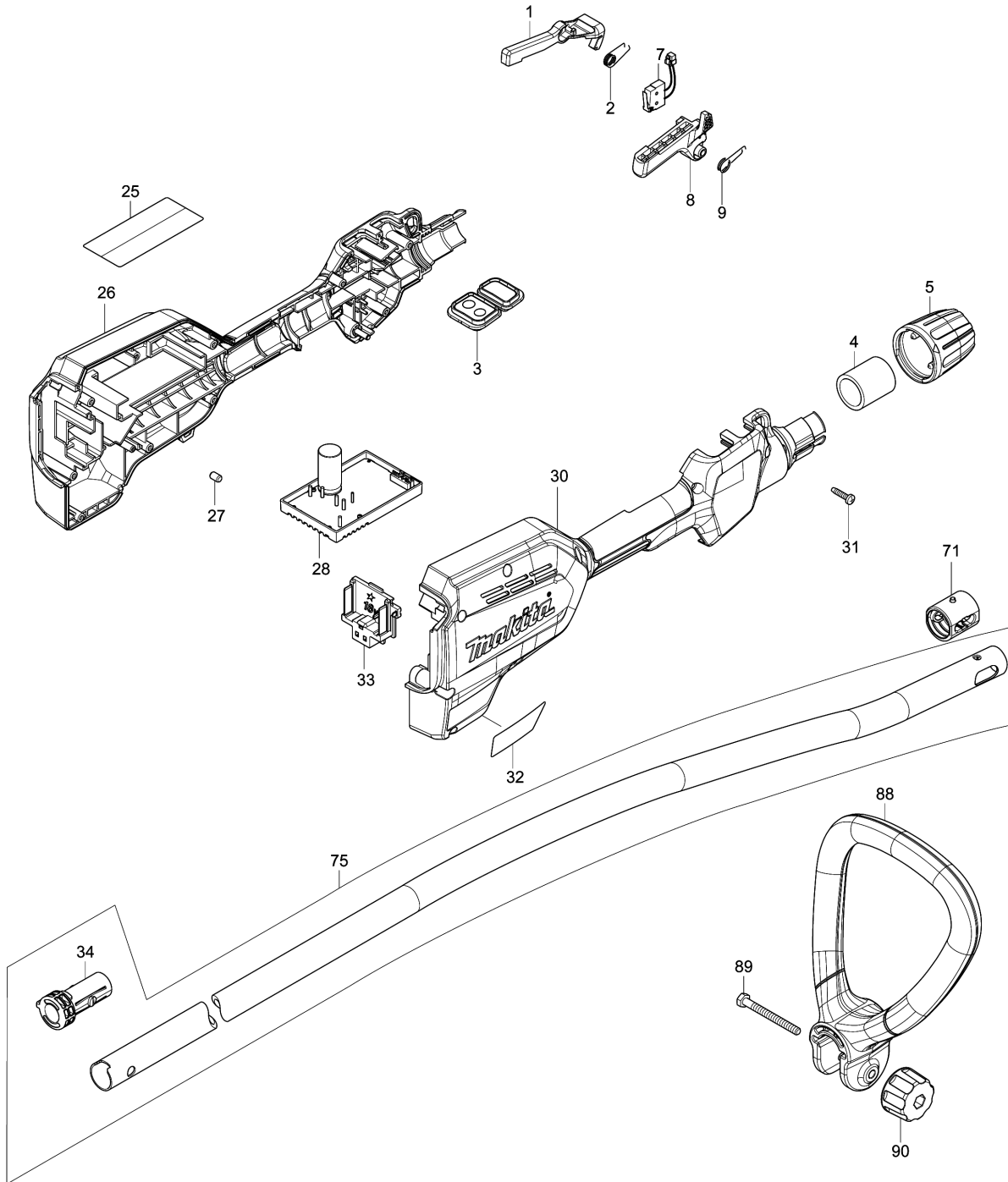
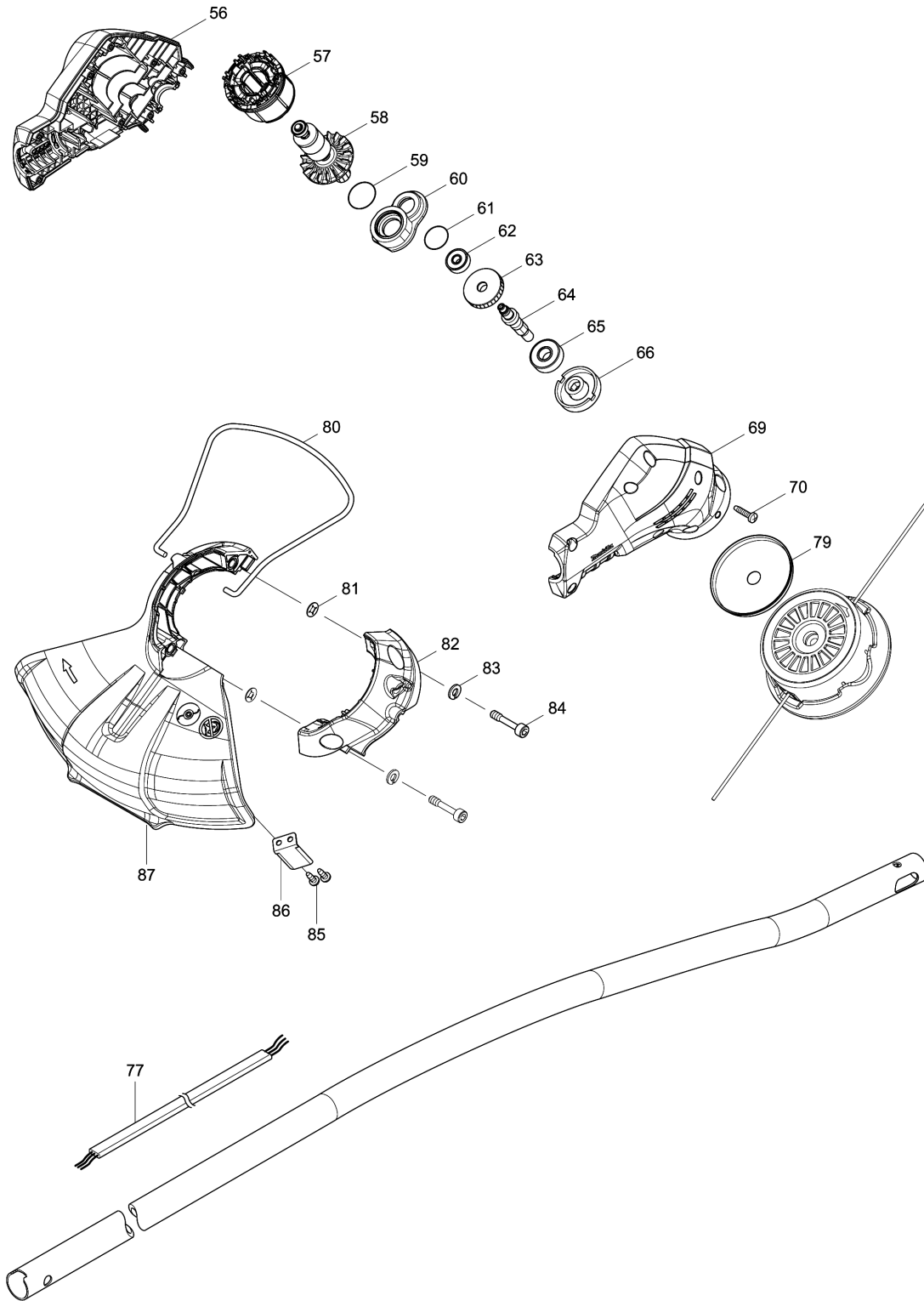


Model No.DUR184L CORDLESS GRASS TRIMMER



Model No.DUR184L CORDLESS GRASS TRIMMER



Model No.DUR184L CORDLESS GRASS TRIMMER

Item	Parts No.	Description	I/C	Qty	New/Old	Opt. 1	Opt. 2	Note
001	456671-5	LOCK OFF LEVER		1				
002	233621-5	TORSION SPRING 9		1				
003	143755-5	SUB CONTROLLER COMPLETE		1				
004	456647-2	RUBBER SLEEVE 24 A		1				
005	453344-1	LOCK SLEEVE		1				
007	632E26-0	SWITCH UNIT		1				
008	456670-7	SWITCH LEVER		1				
009	233612-6	TORSION SPRING 10		1				
025	808L49-4	CAUTION LABEL		1				
026	183C91-5	GRIP HOUSING SET		1	*			
D10		INC. 30			*			
026-1	183E59-3	GRIP HOUSING SET	<	1				
D10		INC. 27,30						
027	263005-3	RUBBER PIN 6		2	*			
027-1	263005-3	RUBBER PIN 6	O	2				
028	620514-9	CONTROLLER		1				
030	183C91-5	GRIP HOUSING SET		1	*			
D10		INC. 26			*			
030-1	183E59-3	GRIP HOUSING SET	<	1				
D10		INC. 26,27						
031	265995-6	TAPPING SCREW 4X18		10				
032	852A51-3	DUR184L NAME PLATE		1				
033	644808-8	TERMINAL		1				
034	456648-0	PIPE CAP		1				
056	183C95-7	MOTOR HOUSING SET		1				
D10		INC. 69						
057	629200-9	STATOR		1				
058	619324-9	ROTOR		1				
059	213373-4	O RING 22		1				
060	318978-6	BEARING BOX		1				
061	213325-5	O RING 19		1				
062	210143-2	BALL BEARING 626ZZ		1				
063	227773-2	HELICAL GEAR 31		1				
064	326684-9	CUTTER SHAFT		1				
065	210059-1	BALL BEARING 6000DDW		1				
066	326683-1	RECEIVE WASHER		1				
069	183C95-7	MOTOR HOUSING SET		1				
D10		INC. 56						
070	265995-6	TAPPING SCREW 4X18		8				
071	424567-8	RUBBER SLEEVE 24		1				
075	135749-4	PIPE ASS'Y		1				
D10		INC. 34						

Please order the parts with part number.

Print Date 27/3/2020

Model No.DUR184L CORDLESS GRASS TRIMMER

Item	Parts No.	Description	I/C	Qty	New/Old	Opt. 1	Opt. 2	Note
077	699075-0	POWER SUPPLY CORD UNIT		1				
079	346857-8	GUARD		1				
080	326348-5	WIRE GUARD		1				
081	413143-3	WASHER		2				
082	454641-8	PROTECTOR HOLDER		1				
083	942151-2	SPRING WASHER 6		2	*			
083-1	253428-3	SPRING WASHER 6	O	2				
084	266579-3	HEX SOCKET HEAD BOLT M6X30		2				
085	266427-6	TAPPING SCREW 4X12		2				
086	346855-2	CUTTER		1				
087	456651-1	PROTECTOR		1				
088	456423-4	LOOP HANDLE 24		1				
089	921382-6	HEX. BOLT M6X60		1				
090	264072-1	THUMB NUT M6		1				
A01	123291-7	TRIMMER HEAD ASSEMBLY 90-M8R		1				
A02	125516-5	BAND ASSEMBLY		1				
A03	195246-2	SAFETY GOGGLE		1	*			
A04	783202-0	HEX. WRENCH 4		1				
A05	783217-7	HEX. WRENCH 5		1				
A06	831304-7	ACCESSORY BAG		1				
E01	800A66-4	SOUND 91DB LABEL		1				

Please order the parts with part number.

Print Date 27/3/2020