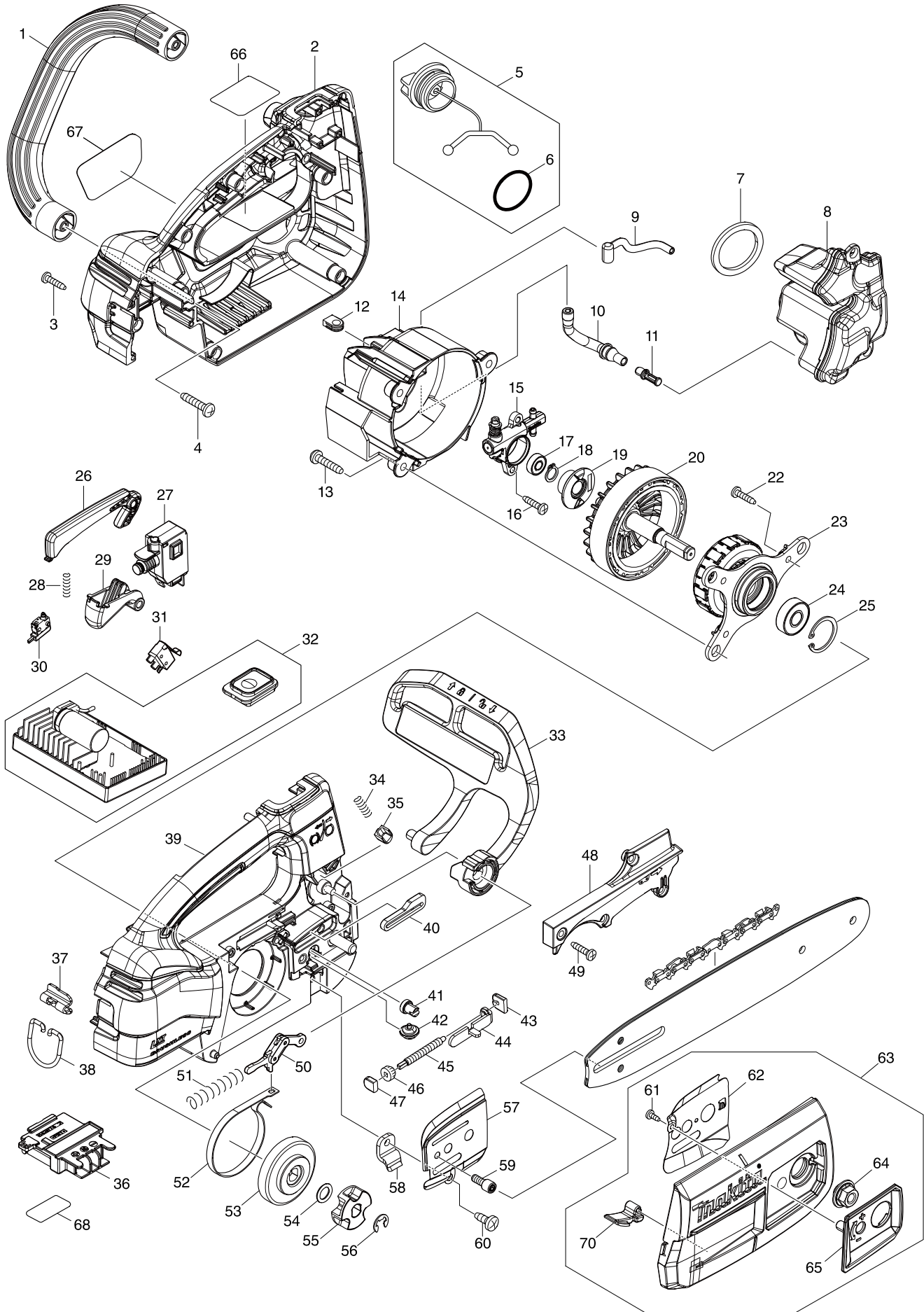


# Model No. DUC254 250MM CORDLESS CHAIN SAW



# Model No. DUC254 250MM CORDLESS CHAIN SAW

| Item | Parts No. | Description               | I/C | Qty | N/O | Opt. 1 | Opt. 2 | Note |
|------|-----------|---------------------------|-----|-----|-----|--------|--------|------|
| 001  | 458490-5  | SIDE HANDLE               |     | 1   |     |        |        |      |
| 002  | 183J27-6  | HOUSING SET               |     | 1   |     |        |        |      |
| C10  | 263005-3  | RUBBER PIN 6              |     | 2   |     |        |        |      |
| D10  |           | INC. 39                   |     |     |     |        |        |      |
| 003  | 266326-2  | TAPPING SCREW 4X18        |     | 8   |     |        |        |      |
| 004  | 266041-8  | TAPPING SCREW 5X25        |     | 2   |     |        |        |      |
| 005  | 168508-1  | TANK CAP COMPLETE         |     | 1   |     |        |        |      |
| D10  |           | INC. 6                    |     |     |     |        |        |      |
| 006  | 213355-6  | O-RING 25                 |     | 1   |     |        |        |      |
| 007  | 421959-2  | SPONGE SEAL               |     | 1   |     |        |        |      |
| 008  | 140A75-4  | OIL TANK COMPLETE         |     | 1   |     |        |        |      |
| 009  | 422271-3  | CONNECTOR A               |     | 1   |     |        |        |      |
| 010  | 422272-1  | CONNECTOR B               |     | 1   |     |        |        |      |
| 011  | 450437-5  | FILTER                    |     | 1   |     |        |        |      |
| 012  | 424612-9  | GROMMET                   |     | 1   |     |        |        |      |
| 013  | 266041-8  | TAPPING SCREW 5X25        |     | 3   |     |        |        |      |
| 014  | 458489-0  | MOTOR HOUSING             |     | 1   |     |        |        |      |
| 015  | 142857-4  | OIL PUMP COMPLETE         |     | 1   |     |        |        |      |
| 016  | 266326-2  | TAPPING SCREW 4X18        |     | 2   |     |        |        |      |
| 017  | 210026-6  | BALL BEARING 696ZZ        |     | 1   |     |        |        |      |
| 018  | 961006-2  | RETAINING RING S-10       |     | 1   |     |        |        |      |
| 019  | 221428-1  | WORM GEAR                 |     | 1   |     |        |        |      |
| 020  | 619518-6  | ROTOR                     |     | 1   |     |        |        |      |
| 022  | 266326-2  | TAPPING SCREW 4X18        |     | 3   |     |        |        |      |
| 023  | 629378-8  | STATOR COMPLETE           |     | 1   |     |        |        |      |
| 024  | 210059-1  | BALL BEARING 6000DDW      |     | 1   |     |        |        |      |
| 025  | 962105-3  | RETAINING RING R-26       |     | 1   |     |        |        |      |
| 026  | 458497-1  | CATCH LEVER               |     | 1   |     |        |        |      |
| 027  | 651365-9  | SWITCH C3JW-6BM-P         |     | 1   |     |        |        |      |
| 028  | 233476-8  | COMPRESSION SPRING 4      |     | 1   |     |        |        |      |
| 029  | 458495-5  | SWITCH LEVER              |     | 1   |     |        |        |      |
| 030  | 632L49-0  | SWITCH UNIT               |     | 1   |     |        |        |      |
| 031  | 632L48-2  | SWITCH UNIT               |     | 1   |     |        |        |      |
| 032  | 140A76-2  | CONTROLLER COMPLETE       |     | 1   |     |        |        |      |
| C10  | 810D46-0  | SWITCH LABEL              |     | 1   |     |        |        |      |
| 033  | 140A72-0  | FRONT HAND GUARD COMPLETE |     | 1   |     |        |        |      |
| C10  | 816U31-3  | CAUTION LABEL             |     | 1   |     |        |        |      |
| 034  | 232453-7  | COMPRESSION SPRING 3      |     | 1   |     |        |        |      |
| 035  | 310879-4  | HAND GUARD GUIDE          |     | 1   |     |        |        |      |
| 036  | 643874-2  | TERMINAL                  |     | 1   |     |        |        |      |
| 037  | 347377-5  | HOOK SUPPORT              |     | 1   |     |        |        |      |
| 038  | 281222-3  | HOOK                      |     | 1   |     |        |        |      |
| 039  | 183J27-6  | HOUSING SET               |     | 1   |     |        |        |      |
| C10  | 263005-3  | RUBBER PIN 6              |     | 2   |     |        |        |      |
| D10  |           | INC. 2                    |     |     |     |        |        |      |
| 040  | 422270-5  | GROMMET                   |     | 1   |     |        |        |      |
| 041  | 227620-7  | DRIVE GEAR                |     | 1   |     |        |        |      |
| 042  | 227634-6  | STRAIGHT BEVEL GEAR 14    |     | 1   |     |        |        |      |

# Model No. DUC254 250MM CORDLESS CHAIN SAW

| Item  | Parts No. | Description                 | I/C | Qty | N/O | Opt. 1 | Opt. 2 | Note |
|-------|-----------|-----------------------------|-----|-----|-----|--------|--------|------|
| 043   | 455241-7  | CLAMP SCREW                 |     | 1   |     |        |        |      |
| 044   | 347376-7  | TENSION SLIDE               |     | 1   |     |        |        |      |
| 045   | 327120-8  | ADJUST SCREW                |     | 1   |     |        |        |      |
| 046   | 227496-2  | STRAIGHT BEVEL GEAR 14      |     | 1   |     |        |        |      |
| 047   | 455242-5  | CLAMP SCREW                 |     | 1   |     |        |        |      |
| 048   | 458491-3  | HOUSING R COVER             |     | 1   |     |        |        |      |
| 049   | 266326-2  | TAPPING SCREW 4X18          |     | 4   |     |        |        |      |
| 050   | 140A74-6  | LINK PLATE COMPLETE         |     | 1   |     |        |        |      |
| 051   | 232452-9  | COMPRESSION SPRING 7        |     | 1   |     |        |        |      |
| 052   | 347372-5  | BRAKE BAND                  |     | 1   |     |        |        |      |
| 053   | 161871-1  | BRAKE DRUM COMPLETE         |     | 1   |     |        |        |      |
| 054   | 213060-5  | O RING 10                   |     | 1   |     |        |        |      |
| 055   | 199063-2  | SPROCKET 6 SET              |     | 1   |     |        |        |      |
| 056   | 961013-5  | STOP RING E-7               |     | 1   |     |        |        |      |
| 057   | 347374-1  | GUIDE PLATE L               |     | 1   |     |        |        |      |
| 058   | 347373-3  | CHAIN CATCHER               |     | 1   |     |        |        |      |
| 059   | 266905-6  | H.L. SOCKET HEAD BOLT M5X12 |     | 1   |     |        |        |      |
| 060   | 266388-0  | TAPPING SCREW 5X16          |     | 1   |     |        |        |      |
| 061   | 266007-8  | TAPPING SCREW BIND PT 3X10  |     | 1   |     |        |        |      |
| 062   | 347375-9  | GUIDE PLATE R               |     | 1   |     |        |        |      |
| 063   | 136010-2  | SPROCKET COVER ASS'Y        |     | 1   | *   |        |        |      |
| D10   |           | INC. 61,62,64,65,70         |     |     | *   |        |        |      |
| 063-1 | 136010-2  | SPROCKET COVER ASS'Y        | <   | 1   |     |        |        |      |
| D10   |           | INC. 61,62,64,65,70,71      |     |     |     |        |        |      |
| 064   | 161870-3  | FRANGE NUT COMPLETE         |     | 1   |     |        |        |      |
| 065   | 458499-7  | NUT COVER                   |     | 1   |     |        |        |      |
| 066   | 854G31-1  | DUC254 NAME PLATE           |     | 1   |     |        |        |      |
| 067   | 816U21-6  | DUC254 MODEL NO. LABEL      |     | 1   |     |        |        |      |
| 068   | 854G38-7  | DUC254 SERIAL NO. LABE      |     | 1   |     |        |        |      |
| 070   | 422310-9  | CHIP GUIDE                  |     | 1   |     |        |        |      |
| 071   | 458493-9  | SPROCKET COVER              |     | 1   |     |        |        |      |
| A01   | 161846-0  | GUIDE BAR 10                |     | 1   |     |        |        |      |
| A02   | 458501-6  | GUIDE BAR CASE              |     | 1   |     |        |        |      |
| A03   | 199075-5  | SAW CHAIN SET               |     | 1   |     |        |        |      |
| A04   | 782023-7  | WRENCH 13-16                |     | 1   |     |        |        |      |
| A09   | 831304-7  | ACCESSORY BAG               |     | 1   |     |        |        |      |
|       |           |                             |     |     |     |        |        |      |
|       |           |                             |     |     |     |        |        |      |
|       |           |                             |     |     |     |        |        |      |
|       |           |                             |     |     |     |        |        |      |
|       |           |                             |     |     |     |        |        |      |
|       |           |                             |     |     |     |        |        |      |
|       |           |                             |     |     |     |        |        |      |
|       |           |                             |     |     |     |        |        |      |
|       |           |                             |     |     |     |        |        |      |
|       |           |                             |     |     |     |        |        |      |
|       |           |                             |     |     |     |        |        |      |
|       |           |                             |     |     |     |        |        |      |
|       |           |                             |     |     |     |        |        |      |
|       |           |                             |     |     |     |        |        |      |
|       |           |                             |     |     |     |        |        |      |
|       |           |                             |     |     |     |        |        |      |
|       |           |                             |     |     |     |        |        |      |
|       |           |                             |     |     |     |        |        |      |
|       |           |                             |     |     |     |        |        |      |