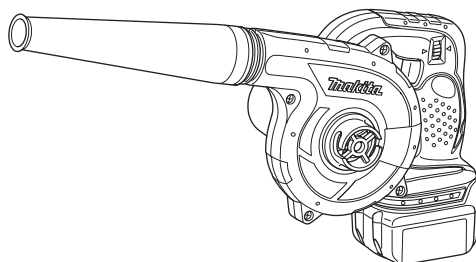


INSTRUCTION MANUAL



# Cordless Blower

**DUB142**  
**DUB182**



**IMPORTANT:** Read Before Using.

## SPECIFICATIONS

Model		DUB142		DUB182	
Capacities	Air pressure (water column)	0 - 550 mm (21-5/8")			
	Air volume	0 - 2.6 m <sup>3</sup> /min			
No load speed (RPM)		0 - 18,000 /min			
Overall length		507 mm (20")	509 mm (20")	523 mm (20-5/8")	525 mm (20-3/4")
Net weight		1.6 kg (3.5 lbs)	1.8 kg (3.9 lbs)	1.6 kg (3.6 lbs)	1.9 kg (4.1 lbs)
Rated voltage		D.C. 14.4 V		D.C. 18 V	
Standard battery cartridges		BL 1415 / BL 1415N	BL 1430 / BL 1440 / BL 1450	BL 1815 / BL 1815N / BL 1820	BL 1830 / BL 1840 / BL 1850

- Due to our continuing program of research and development, the specifications herein are subject to change without notice.
- Specifications and battery cartridge may differ from country to country.
- Weight, with battery cartridge, according to EPTA-Procedure 01/2003

## IMPORTANT SAFETY INSTRUCTIONS

When using an electrical appliance, basic precautions should always be followed, including the following:

### READ ALL INSTRUCTIONS.

### BEFORE USING THIS APPLIANCE

**WARNING** - To reduce the risk of fire or injury:

1. Do not leave appliance when battery fitted. Remove battery from appliance when not in use and before servicing.
2. Do not expose to rain. Store indoors.
3. Do not allow to be used as a toy. Close attention is necessary when used by or near children.
4. Use only as described in this manual. Use only manufacturer's recommended attachments.
5. Do not use with damaged battery. If appliance is not working as it should, has been dropped, damaged, left outdoors, or dropped into water, return it to a service center.
6. Do not put any object into openings. Do not use with any opening blocked; keep free of dust, lint, hair, and anything that may reduce air flow.
7. Keep hair, loose clothing, fingers, and all parts of body away from openings and moving parts.
8. Use extra care when cleaning on stairs.
9. Do not use to pick up flammable or combustible liquids, such as gasoline, or use in areas where they may be present.
10. Use only the charger supplied by the manufacturer to recharge.
11. Do not pick up anything that is burning or smoking, such as cigarettes, matches, or hot ashes.

12. Do not use without dust bag in place when collecting dust.

## SAVE THESE INSTRUCTIONS.

This appliance is intended for household use.

## SPECIFIC SAFETY RULES

DO NOT let comfort or familiarity with product (gained from repeated use) replace strict adherence to cordless blower safety rules. If you use this tool unsafely or incorrectly, you can suffer serious personal injury.

1. Be aware that this tool is always in an operating condition, because it does not have to be plugged into an electrical outlet.
2. Always use protective goggles, a cap and mask when using the blower. Ordinary eye or sun glasses are NOT safety glasses.
3. Never point the nozzle at anyone in the vicinity when using the blower.
4. Always use the dust bag when collecting dust, chips and the like.
5. Do not collect still smoldering cigarette ashes, freshly cut metals shavings, screws, nails and the like.
6. Never block suction inlet and/or blower outlet. Increased motor revolution may cause dangerous fan breakage.
7. AVOID UNINTENTIONAL STARTING. Do not carry battery fitted tool with finger on switch. Be sure switch is OFF when insert the battery.
8. Some material contains chemicals which may be toxic. Take caution to prevent dust inhalation and skin contact. Follow material supplier safety data.

## SAVE THESE INSTRUCTIONS.

**⚠WARNING:** MISUSE or failure to follow the safety rules stated in this instruction manual may cause serious personal injury.

## IMPORTANT SAFETY INSTRUCTIONS

### FOR BATTERY CARTRIDGE

1. Before using battery cartridge, read all instructions and cautionary markings on (1) battery charger, (2) battery, and (3) product using battery.
2. Do not disassemble battery cartridge.
3. If operating time has become excessively shorter, stop operating immediately. It may result in a risk of overheating, possible burns and even an explosion.
4. If electrolyte gets into your eyes, rinse them out with clear water and seek medical attention right away. It may result in loss of your eyesight.
5. Do not short the battery cartridge:
  - (1) Do not touch the terminals with any conductive material.
  - (2) Avoid storing battery cartridge in a container with other metal objects such as nails, coins, etc.
  - (3) Do not expose battery cartridge to water or rain.  
A battery short can cause a large current flow, overheating, possible burns and even a breakdown.
6. Do not store the tool and battery cartridge in locations where the temperature may reach or exceed 50°C (122°F).
7. Do not incinerate the battery cartridge even if it is severely damaged or is completely worn out. The battery cartridge can explode in a fire.
8. Be careful not to drop or strike battery.
9. Do not use a damaged battery.






### SAVE THESE INSTRUCTIONS.

#### Tips for maintaining maximum battery life

1. Charge the battery cartridge before completely discharged. Always stop tool operation and charge the battery cartridge when you notice less tool power.
2. Never recharge a fully charged battery cartridge. Overcharging shortens the battery service life.
3. Charge the battery cartridge with room temperature at 10°C - 40°C (50°F - 104°F). Let a hot battery cartridge cool down before charging it.

### Symbols

The followings show the symbols used for tool.

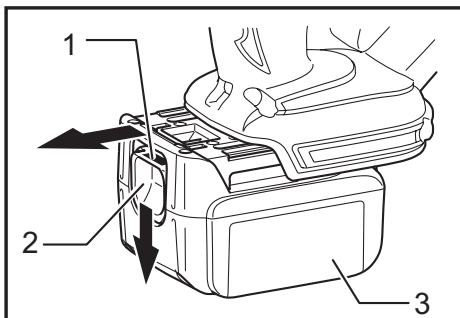
	volts
	direct current
	no load speed
	revolutions or reciprocation per minute
	

## FUNCTIONAL DESCRIPTION

### CAUTION:

- Always be sure that the tool is switched off and the battery cartridge is removed before adjusting or checking function on the tool.

### Installing or removing battery cartridge



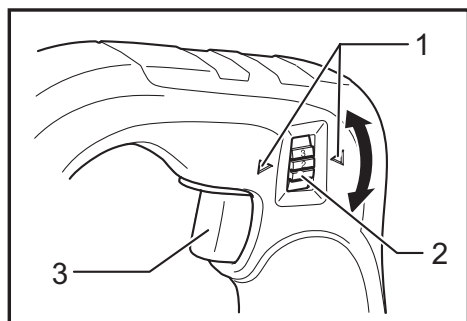
► 1. Red part 2. Button 3. Battery cartridge

- Always switch off the tool before insertion or removal of the battery cartridge.
- To remove the battery cartridge, withdraw it from the tool while pressing the buttons on both sides of the cartridge.
- To insert the battery cartridge, align the tongue on the battery cartridge with the groove in the housing and slip it into place. Always insert it all the way until it locks in place with a little click. If not, it may accidentally fall out of the tool, causing injury to you or someone around you.
- Do not use force when inserting the battery cartridge. If the cartridge does not slide in easily, it is not being inserted correctly.

## Switch action

### ⚠ CAUTION:

- Before inserting the battery cartridge into the tool, always check to see that the switch trigger actuates properly and returns to the "OFF" position when released.



► 1. Pointer 2. Air volume adjusting dial 3. Switch trigger

To start the tool, simply pull the switch trigger. Air volume is increased by increasing pressure on the switch trigger. Release the switch trigger to stop.

## Air volume adjusting dial

Air volume can be adjusted to any of three settings by turning the adjusting dial with the switch trigger fully depressed. Refer to the table below for the relationship between the number on the dial and the air volume.

Number on the dial	Air volume
3	High
2	Medium
1	Low

### ⚠ CAUTION:

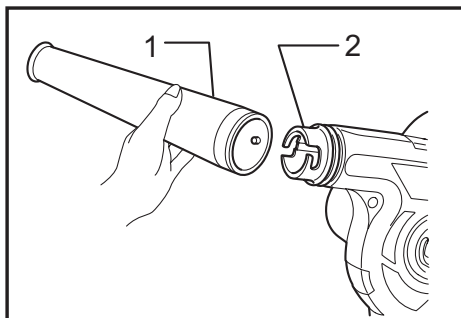
- Use the adjusting dial only after the switch trigger returns to the "OFF" position. Turning the dial before the trigger returns may damage the tool.
- If the tool is operated continuously until the battery cartridge has discharged, rest the tool for at least 15 minutes before proceeding with a fresh battery.

## ASSEMBLY

### ⚠ CAUTION:

- Always be sure that the tool is switched off and the battery cartridge is removed before carrying out any work on the tool.

## Blowing

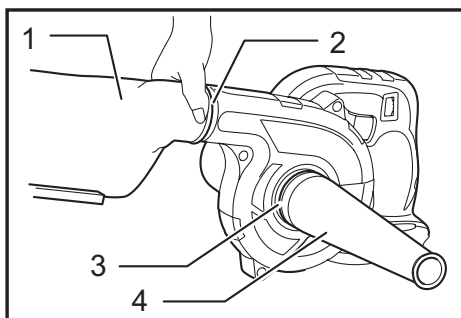


► 1. Nozzle 2. Blower outlet

For dust blowing, attach nozzle to blower outlet, turning clockwise to lock it in place.

To remove the nozzle, turn it counterclockwise.

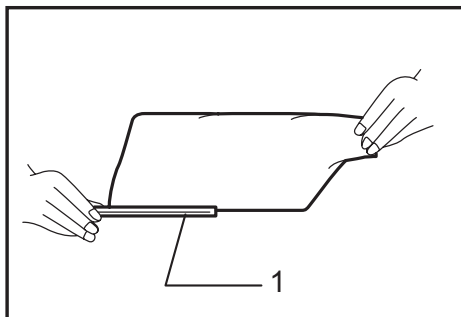
## Dust suction



► 1. Dust bag 2. Blower outlet 3. Suction inlet 4. Nozzle

For dust suction, fit nozzle onto suction inlet and dust bag onto blower outlet.

After the bag fills with dust, empty the contents of the dust bag into a dust bin by releasing the fastener.



► 1. Fastener

### ⚠ CAUTION:

- Empty the dust bag before it becomes too full, or the suction force weakens.

**NOTICE:**

The garden nozzle (optional accessory) is intended for blowing use only. Do not use garden nozzle for suction.

**NOTICE:**

The garden nozzle is intended for blowing use only. Do not use garden nozzle for suction. Debris may become clogged and result in damaging the blower.

## MAINTENANCE

**⚠ CAUTION:**

- Always be sure that the tool is switched off and the battery cartridge is removed before attempting to perform inspection or maintenance.
- Never use gasoline, benzine, thinner, alcohol or the like. Discoloration, deformation or cracks may result.

**NOTE:**

- Some items in the list may be included in the tool package as standard accessories. They may differ from country to country.

## MAKITA LIMITED WARRANTY

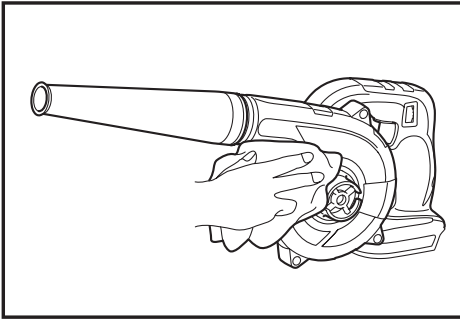
Please refer to the annexed warranty sheet for the most current warranty terms applicable to this product. If annexed warranty sheet is not available, refer to the warranty details set forth at below website for your respective country.

United States of America: [www.makitatools.com](http://www.makitatools.com)

Canada: [www.makita.ca](http://www.makita.ca)

Other countries: [www.makita.com](http://www.makita.com)

## Cleaning



From time to time, wipe off the outside of the tool using a cloth dampened in soapy water. Never use gasoline, thinner or the like, or discoloration and/or cracks can take place. To maintain product SAFETY and RELIABILITY, repairs, any other maintenance or adjustment should be performed by Makita Authorized or Factory Service Centers, always using Makita replacement parts.

## OPTIONAL ACCESSORIES

**⚠ CAUTION:**

- These accessories or attachments are recommended for use with your Makita tool specified in this manual. The use of any other accessories or attachments might present a risk of injury to persons. Only use accessory or attachment for its stated purpose.

If you need any assistance for more details regarding these accessories, ask your local Makita Service Center.

- Nozzle
- Garden nozzle
- Dust bag
- Corner nozzle
- Straight pipe
- Flexible hose
- Joint
- Makita genuine battery and charger





# Makita Corporation

3-11-8, Sumiyoshi-cho,  
Anjo, Aichi 446-8502 Japan

[www.makita.com](http://www.makita.com)

DUB142-NA3-1801  
DUB182-1  
EN, FRCA, ESMX  
20180109